

LED Flush Mount

FM6012

INSTALLATION SHEET

START FROM HERE

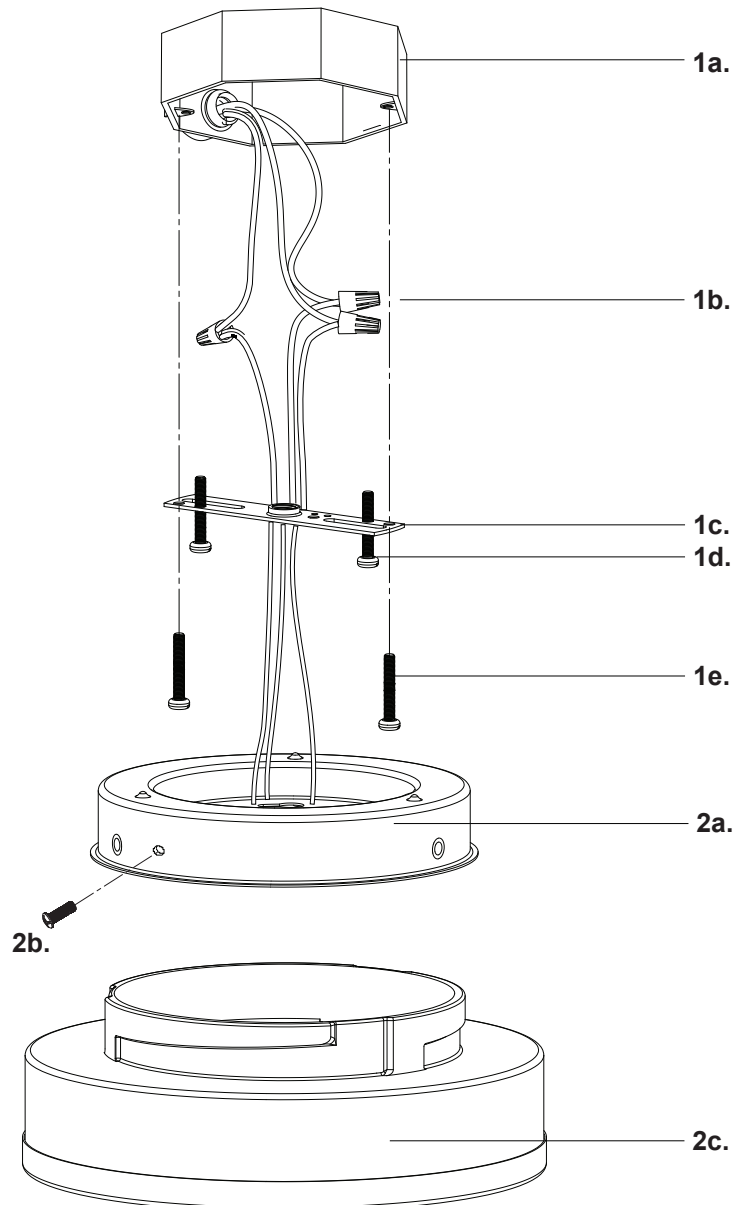
- Make sure power is completely off at the fuse box.
- Have your fixture installed by a qualified licensed electrician
- Prepare everything in a clear area.
- Wear gloves at all times during this installation.
- Read instructions carefully before you start assembly.
- Keep this instruction sheet for future reference.

Technical Support: 1-877-452-6858

Please Note:

- All Kuzco LED fixtures come with pre-wired LED module(s).
- Unless instructed to do so, please do not touch any part of the LED module(s) as any unnecessary contact with the module could cause permanent damage.
- For dimming, an ELV (Electronic Low Voltage) type of dimmer is required.

- 1.** Remove the fixture from its original packaging and remove the mounting plate (**1c**) from within the hardware package. Attach the mounting plate (**1c**) to the electrical junction box (**1a**) on the ceiling using the two screws (**1e**) provided in the hardware package.
- 2.** Attach the canopy to the mounting plate. First connect all wires correctly G ground to ground, N neutral wire (white to white), L live wire (black to black) with provided marettes (**1b**) from the hardware package. Align the top holes on the canopy (**2a**) to the screws (**1d**). Push the canopy (**2a**) upwards the mounting plate (**1c**) and turn clockwise to lock in place.
- 3.** Install the glass (**2c**) onto the canopy (**2a**) by threading it in, turning clockwise until it is secured. Use the three screws provided in the hardware package to lock the glass to place.
- 4.** You have now completed the installation of your fixture, enjoy.



KUZCO LIGHTING

19054 28th Avenue Surrey, BC Canada V3S 6M3
T: 604 538 7162 TF: 1-855 85 KUZCO F: 604 538 7196
W: kuzcolighting.com
20151217