

LED Flush Mount

FM11410
INSTALLATION SHEET

START FROM HERE

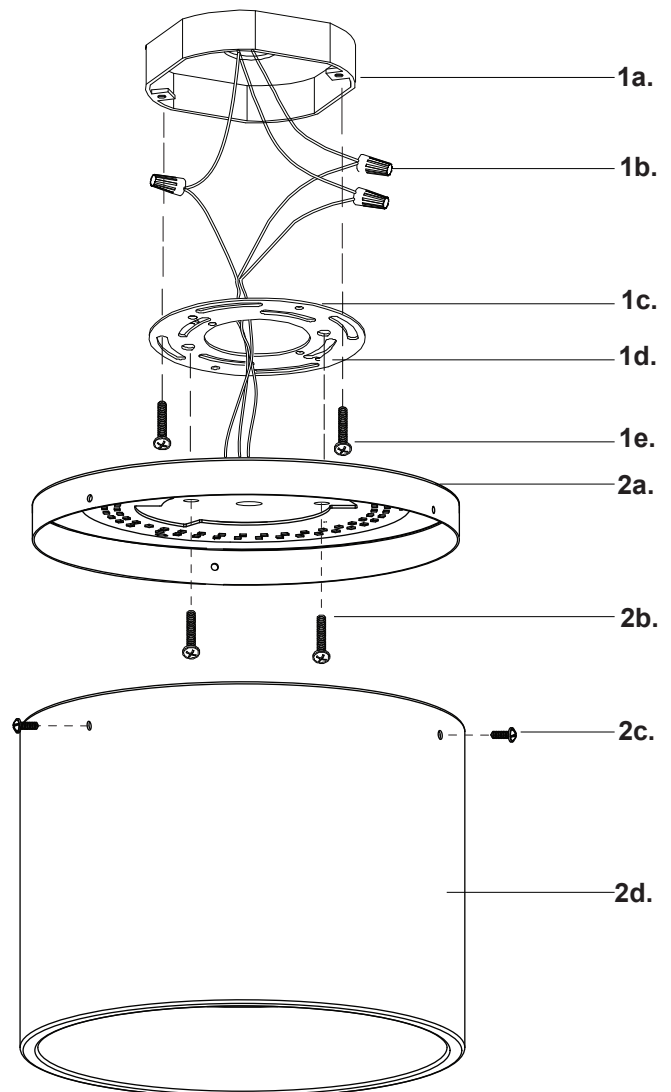
- Make sure power is completely off at the fuse box.
- Have your fixture installed by a qualified licensed electrician
- Prepare everything in a clear area.
- Wear gloves at all times during this installation.
- Read instructions carefully before you start assembly.
- Keep this instruction sheet for future reference.

Technical Support: 1-877-452-6858

Please Note:

- All Kuzco LED fixtures come with pre-wired LED module(s).
- Unless instructed to do so, please do not touch any part of the LED module(s) as any unnecessary contact with the module could cause permanent damage.
- For dimming, an ELV (Electronic Low Voltage) type of dimmer is required.

- 1.** Remove the fixture from its original packaging. Next, remove the mounting plate (1c) from within the backplate (2b). First, loosen the three screws (2c) from the canopy and remove the two screws (2b). Attach the mounting plate (1c) to the electrical junction box (1a) using the two screws (1e) provided in the hardware package.
- 2.** First connect all wires correctly G ground to ground, N neutral wire (white to white), L live wire (black to black) with provided marettes (1b) from the hardware package. Attach the backplate (2a) to the mounting plate (1c) by using the two screws (2b).
- 3.** Lastly, install body (2d) to the backplate (2a). Align the holes on the sides of the body (2d) to the holes on the sides of the backplate (2a). Push the body (2d) up towards the backplate (2a) and use the three screws (2c) provided to secure.
- 4.** You have now completed the installation of your fixture, enjoy.



KUZCO

19054 28th Avenue Surrey, BC Canada V3S 6M3
T: 604 538 7162 TF: 1-855 85 KUZCO F: 604 538 7196
W: kuzcolighting.com
20190206