

# Exterior Bollard LED

**EB3024**  
INSTALLATION SHEET

## START FROM HERE

- Make sure **POWER** is **COMPLETELY OFF** at the fuse box
- Have your fixture installed by a qualified licensed electrician
- Prepare everything in a clear area
- Wear gloves at all time during this installation
- Read instructions carefully before you start assembly
- Keep this installation sheet for future reference

**Technical Support:** 1-855-855-8926

## Please Note:

- This Kuzco LED fixtures come with pre-wired LED module(s)
- Unless instructed, Do Not touch any part of the LED module(s) as any unnecessary contact with the module could cause permanent damage
- Use ELV (Electronic Low Voltage) type of dimmer for dimming application

- 1.** Remove fixture from its original package
- 2.** Provide means to bring supply wiring to bollard in accordance with local code before pouring concrete
- 3.** Secure anchor bolts (**3a**) to mounting plate (**2e**) with hex nuts provided (**2a**) before concrete cures
- 4.** After concrete is set, remove hex nuts (**2a**) and expose anchor bolts (**3a**)
- 5.** Remove base plate (**2c**) from fixture body (**1a**) by removing mounting screws (**1b**)
- 6.** Secure base plate (**2c**) to anchor bolts (**3a**) with washer (**2b**) and hex nuts (**2a**) provided
- 7.** Pull conduit through base plate to make proper electrical connection (black to hot "L", white to neutral "N", ground to "GND") with wire nuts (**1c**) provided in hardware package, tie access wires to avoid contact with ground
- 8.** Install fixture body (**1a**) onto base plate, make sure wires are not pitched between mounting surfaces, and then secure fixture with mounting screws (**1b**)

Illustration 1

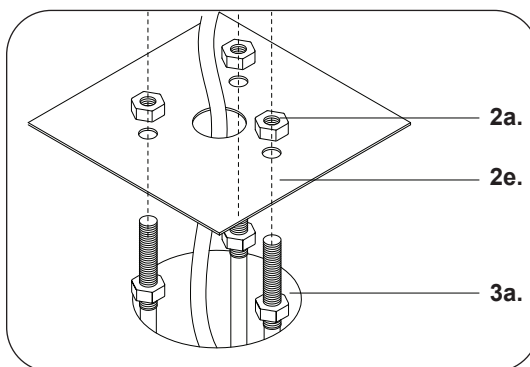
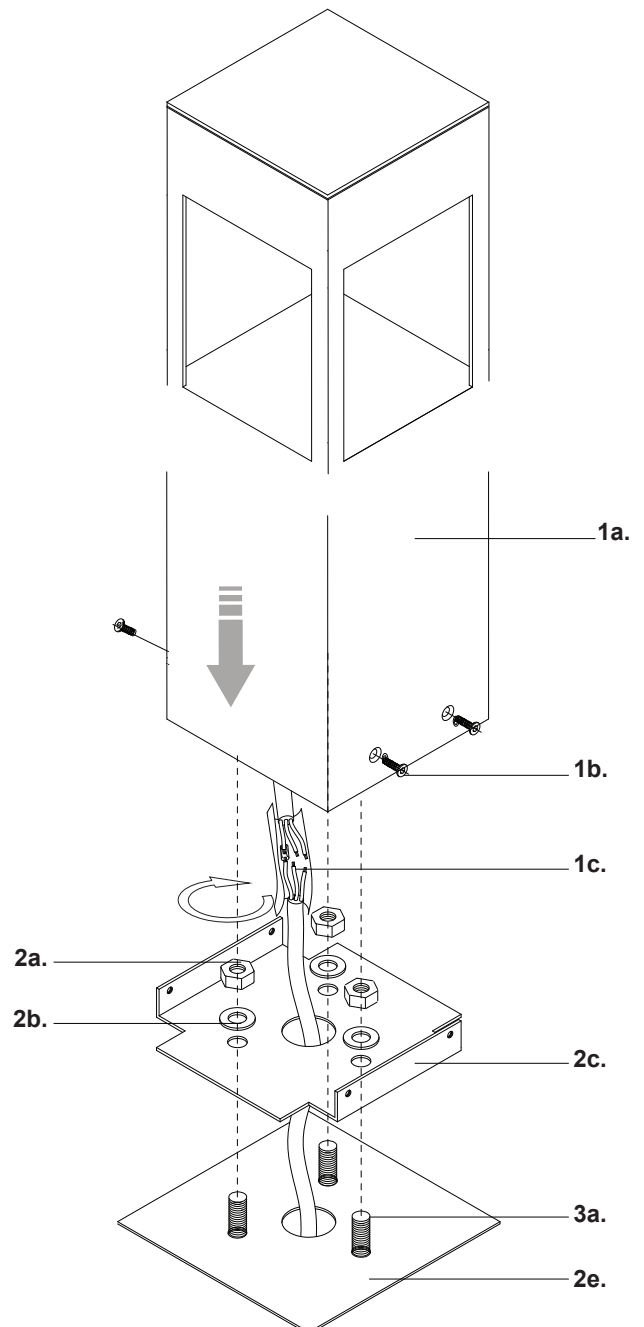


Illustration 2



KUZCO

19054 28th Avenue Surrey, BC Canada V3S 6M3  
T: 604 538 7162 TF: 1-855 85 KUZCO F: 604 538 7196  
W: kuzcolighting.com  
20190627