

# Ceiling LED Pendant

**CH93941**  
INSTALLATION SHEET

## START FROM HERE

- Make sure power is completely off at the fuse box.
- Have your fixture installed by a qualified licensed electrician
- Prepare everything in a clear area.
- Wear gloves at all times during this installation.
- Read instructions carefully before you start assembly.
- Keep this instruction sheet for future reference.

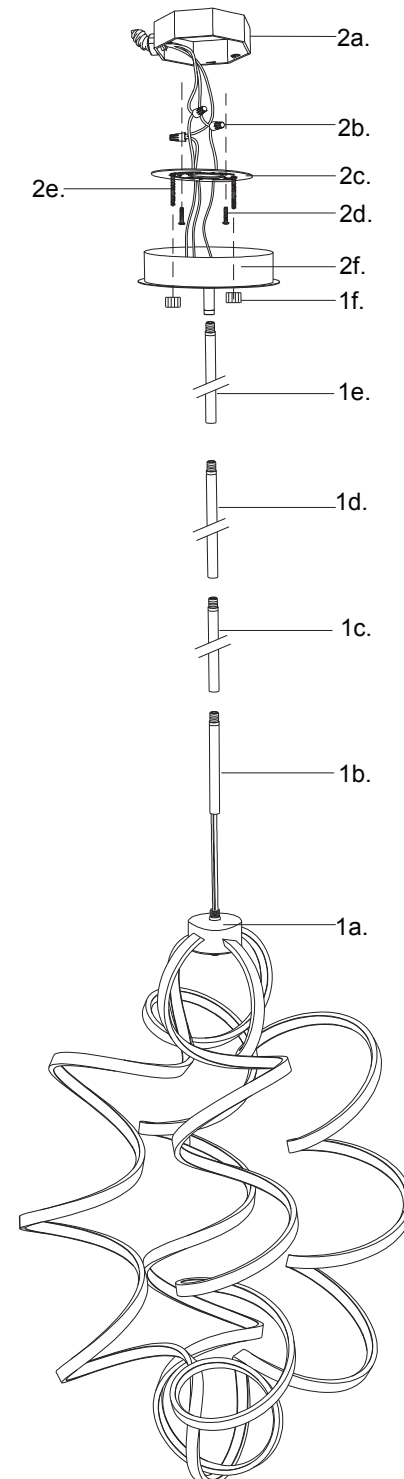
**Technical Support:** 1-855-855-8926

### Please Note:

- For dimming, a ELV or TRIAC type of dimmer is required.

**CAUTION:** CAUTION: HEAVY FIXTURE, THE JUNCTION BOX NEEDS TO BE REINFORCED BEFORE INSTALLATION. ALL MOUNTING SCREWS MUST SCREW INTO A MINIMUM OF 1" OF WOOD BEHIND THE DRYWALL. DO NOT MOUNT THIS FIXTURE JUST TO DRYWALL. (Be sure all wood that you screwed into, is secured to the cross beams/ceiling joists behind the drywall)

- 1.** Remove the fixture from its original packaging. Remove the mounting plate (2c) from within the canopy (2f) by removing the two decorative nuts (1f). Attach the mounting plate (2c) to the reinforced junction box (2a) on the ceiling using two screws (2d) provided in the hardware package.
- 2.** Select the hanging height of the fixture, install the extension rods in-between the canopy (2f) and LED fixture (1a), feed the wire and cable starting from bottom through each rod until you reach the fixed swivel connector. Once the rods are fully connected and the wires are pulled into the canopy (2f), using a wrench to secure, connect the wires to the DC driver using the marrettes provided, negative to negative and positive to positive (refer to the diagram on the driver). Repeat the step for the second driver. (Ensure the line voltage power lines are connected to the line voltage side of each driver - L to live and N to neutral). Connect all wires (2b) correctly L live wire (black to black) N neutral wire (white to white) and G ground to ground with provided marrettes.
- 3.** Align the threaded rods (2e) to the holes on the canopy (2f), push the canopy up towards the ceiling and secure with two decorative nuts (1f). This will secure the canopy to the mounting plate (2c).
- 4.** You have now completed the installation of your fixture, enjoy.

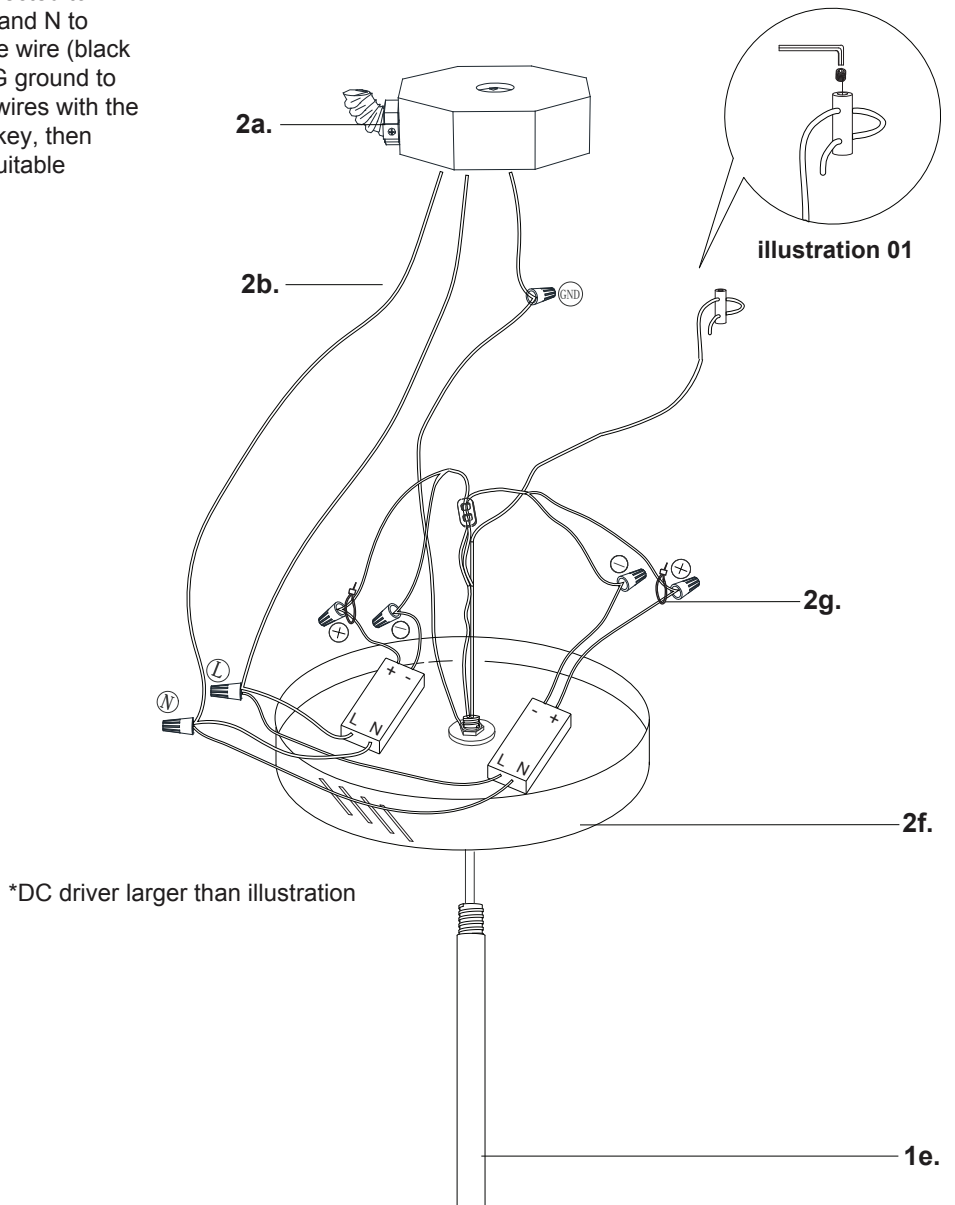


KUZCO

19054 28th Avenue Surrey, BC Canada V3S 6M3  
T: 604 538 7162 TF: 1-855 85 KUZCO F: 604 538 7196  
W: kuzcolighting.com  
20190226

## Detailed illustration:

Select the hanging height and install the extension rods in-between the fixed swivel and LED fixture, feed the wire and cable starting from bottom through each rod until you reach the fixed swivel connector. Once the rods are fully connected and the wires are pulled into the canopy (2f), using a wrench to secure, connect the wires to the DC driver using the marrettes provided, negative to negative and positive to positive (refer to the diagram on the driver). Repeat the step for the second driver. (Ensure the line voltage power lines are connected to the line voltage side of each driver - L to live and N to neutral). Connect all wires (2b) correctly L live wire (black to black) N neutral wire (white to white) and G ground to ground with provided marrettes. Tighten the wires with the tie (2g). Tighten the locking screw with allen key, then attach the aircraft cable (illustration01) to a suitable supporting member in the ceiling.



# KUZCO

19054 28th Avenue Surrey, BC Canada V3S 6M3  
T: 604 538 7162 TF: 1-855 85 KUZCO F: 604 538 7196  
W: kuzcolighting.com  
20190226