

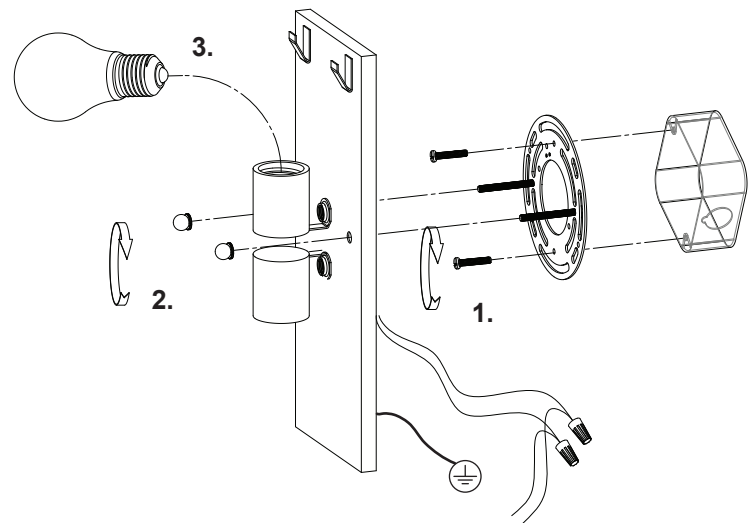
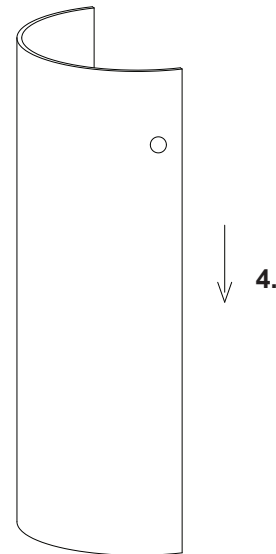
### Wall sconce with white opal half cylinder glass.

- 1.** Remove the fixture from its original packaging. Remove the canopy mounting plate from within the canopy and attach it to the electrical junction box on the wall, using the two screws provided in the hardware package.
- 2.** Now attach the canopy to the mounting plate which is attached to the electrical junction box on the wall. First attach all wiring with the provided marrets (white to white "N", black to black "L", ground to ground "G"). Push the screws through the canopy plate so they are poking through, once this is complete you can screw on the decorative nuts until tight (**Note:** fixture comes with both brushed nickel and chrome decorative nuts and are interchangeable).
- 3.** You can now install the two A-19 light bulbs of the correct wattage.
- 4.** Now install the glass light cover onto the fixture. The glass cover is installed by hooking the pre-installed wire on the glass cover over top of the two hooks located at the top of the canopy.
- 5.** You have now completed the installation of your fixture, please enjoy.

#### START FROM HERE

- Make sure power is completely off at the fuse box.
- Have your fixture installed by a qualified licensed electrician
- Prepare everything in clear area.
- Wear gloves at all times during this installation.
- Read instructions carefully before you start assembly.
- Keep this instruction sheet for future reference.

**Technical Support:** 1-877-452-6858



# KUZCO

L I G H T I N G

19054 28th Avenue Surrey, BC Canada V3S 6M3  
 T: 604 538 7162 TF: 1-855 85 KUZCO F: 604 538 7196  
 W: kuzcolighting.com