

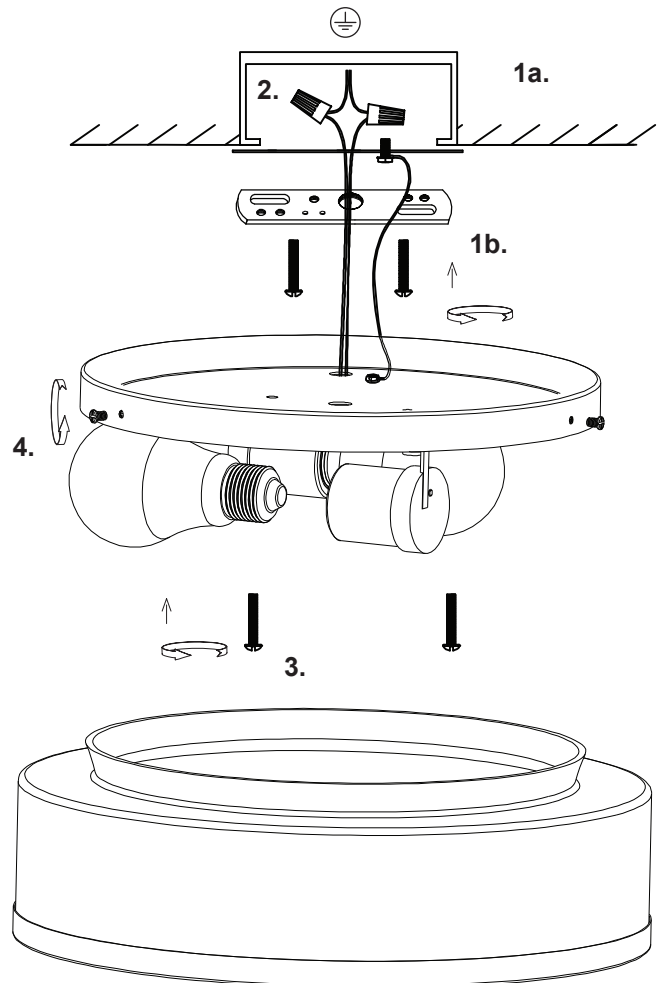
Ceiling with round glass shade.

- 1.** Remove the fixture from its original packaging. Remove the canopy mounting bar (**1b**) from within the canopy and attach to the junction box using the two screws (**1a**) provided in the hardware package.
- 2.** You can now connect all the wiring with the provided marrets (white to white "N", black to black "L" & ground to ground "G"). Align the two holes from the canopy to the two screws pointing down from the mounting bar already attached to the junction box.
- 3.** Fit canopy onto mounting bracket with washers and screws. Screw to tighten.
- 4.** Fit correct wattage of bulb into lampholders. (**4a**) Screw shade into ceiling plate.
- 5.** You have now successfully installed your fixture, please enjoy.

START FROM HERE

- Make sure power is completely off at the fuse box.
- Have your fixture installed by a qualified licensed electrician
- Prepare everything in clear area.
- Wear gloves at all times during this installation.
- Read instructions carefully before you start assembly.
- Keep this instruction sheet for future reference.

Technical Support: 1-877-452-6858



KUZCO

LIGHTING

19054 28th Avenue Surrey, BC Canada V3S 6M3
 T: 604 538 7162 TF: 1-855 85 KUZCO F: 604 538 7196
 W: kuzcolighting.com
 20151130