

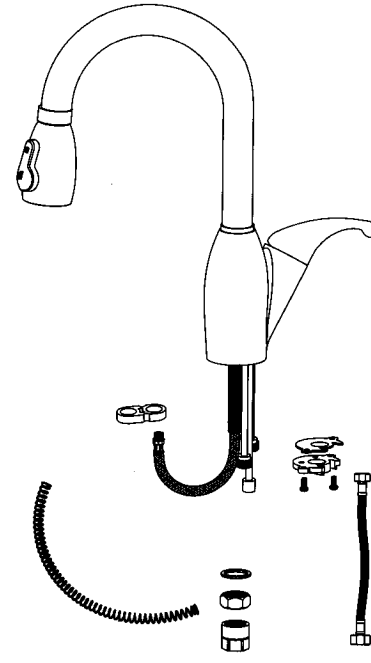
Installation Instruction

Single Handle Pull-down Kitchen Faucet



Before Your Installation

Check to make sure you have the following parts indicated below:



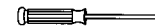
Tools You Will Need



Adjustable wrench



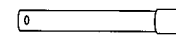
Adjustable wrench



Phillips screwdriver



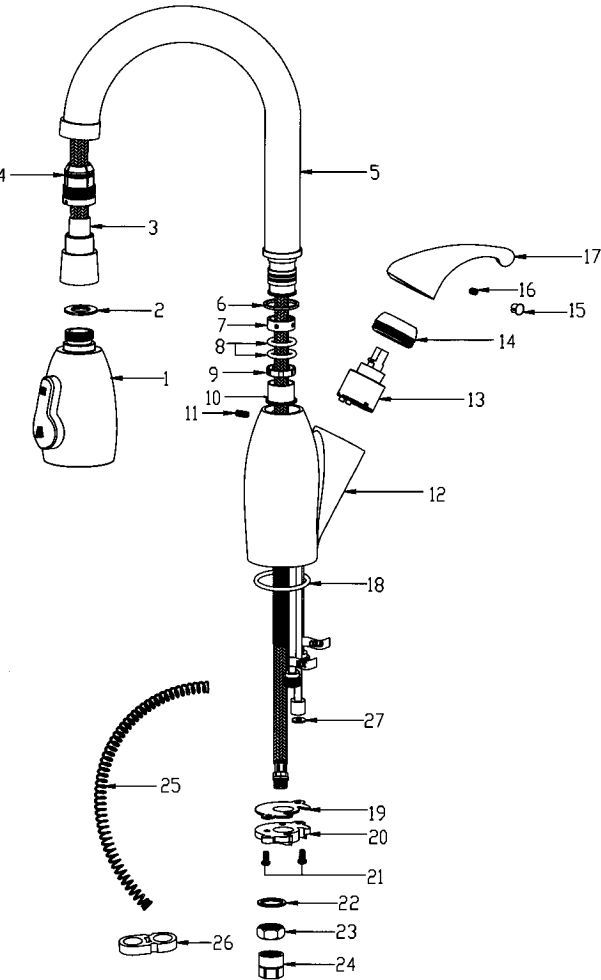
Pipe tape
(supplied)



Spanner for body
(supplied)

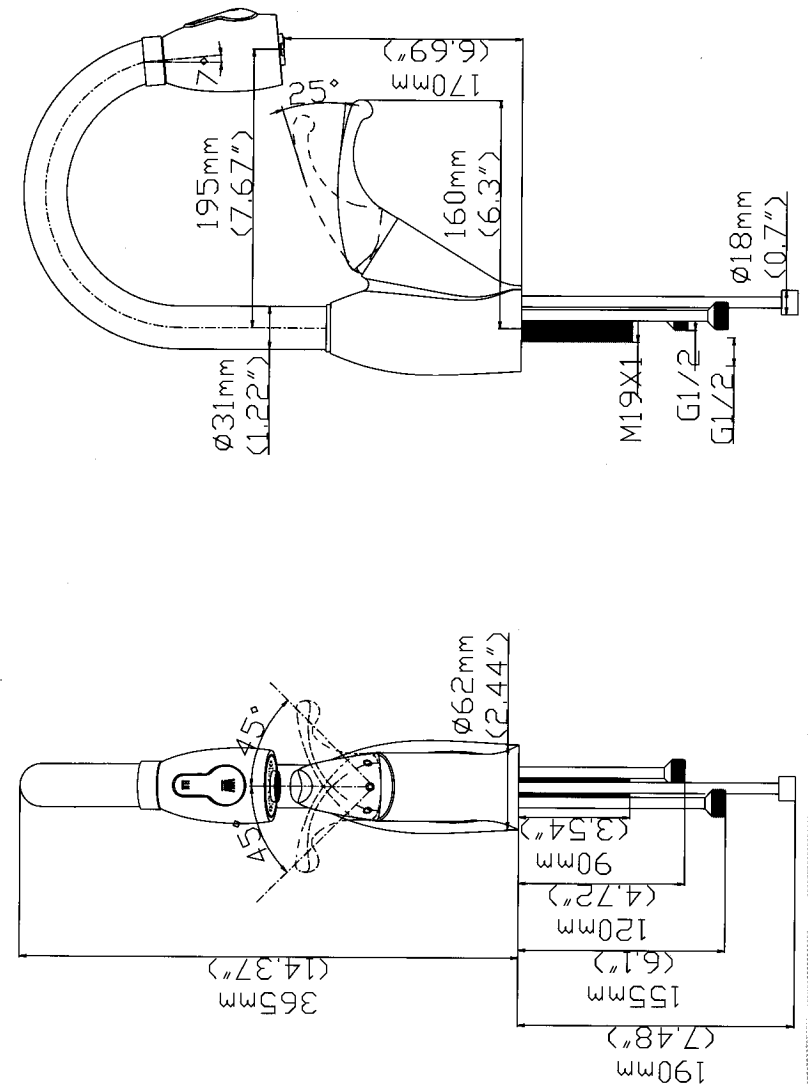
Replacement Parts

Keep this manual for ordering replacement parts.

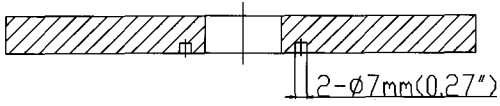
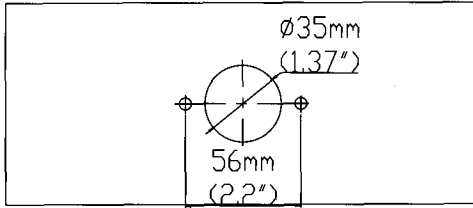


- | NO | NAME |
|-----|------------------------|
| 1. | Sprayer |
| 2. | Washer |
| 3. | Hose |
| 4. | Plastic cover |
| 5. | Spout |
| 6. | White o-ring |
| 7. | Plastic cover |
| 8. | O-ring |
| 9. | Plastic cover |
| 10. | Plastic cover |
| 11. | Screw |
| 12. | Faucet body |
| 13. | Cartridge |
| 14. | Cartridge holder |
| 15. | Accessory |
| 16. | Screw |
| 17. | Handle |
| 18. | O-ring |
| 19. | Rubber gasket |
| 20. | Stainless steel gasket |
| 21. | Screw |
| 22. | Steel gasket |
| 23. | Hexagon nut |
| 24. | Plastic nut |
| 25. | Spring |
| 26. | Spring holder |
| 27. | Washer |

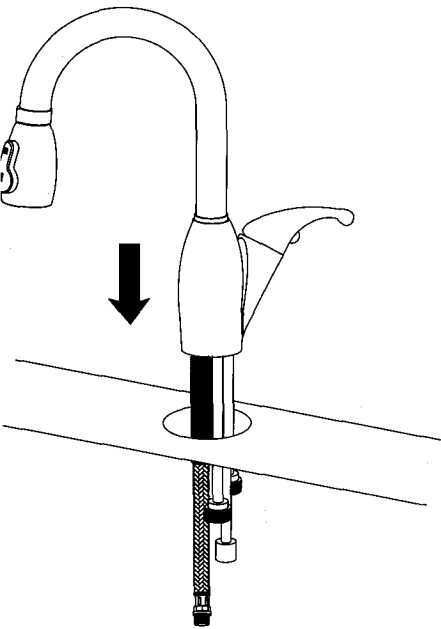
Product Dimension Drawing



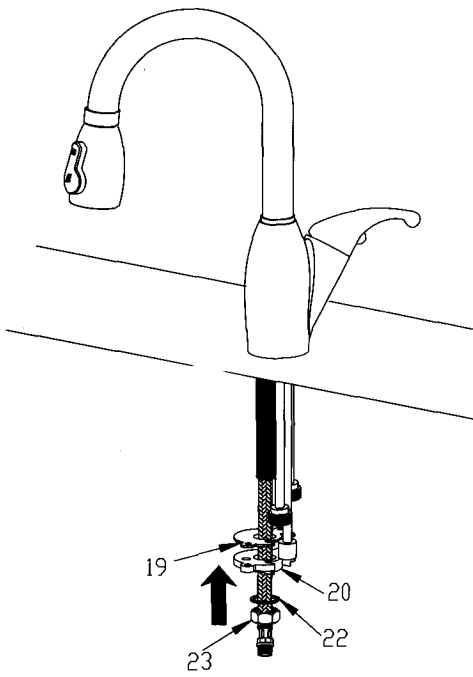
Faucet Installation Procedures



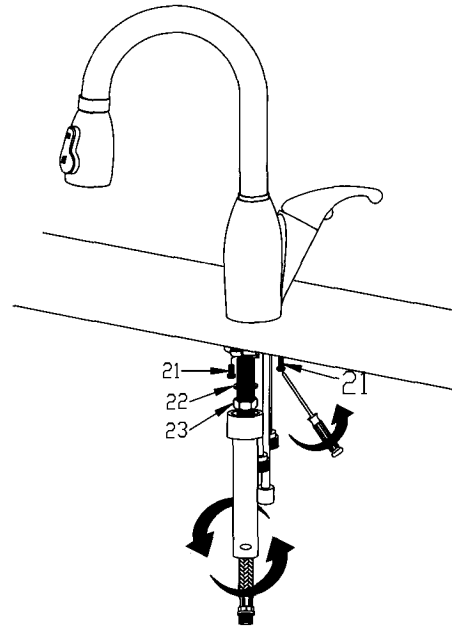
Step ①



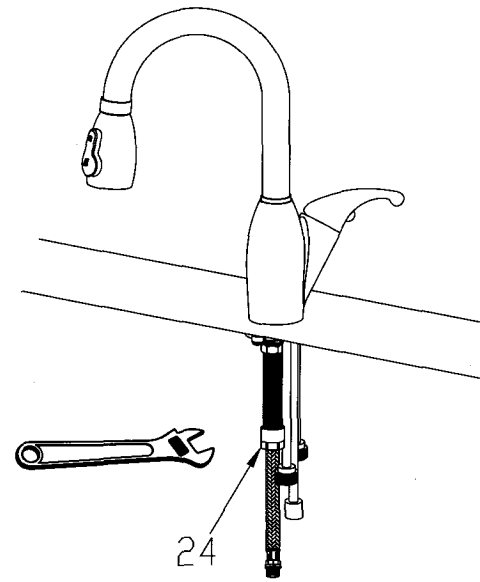
Step ②



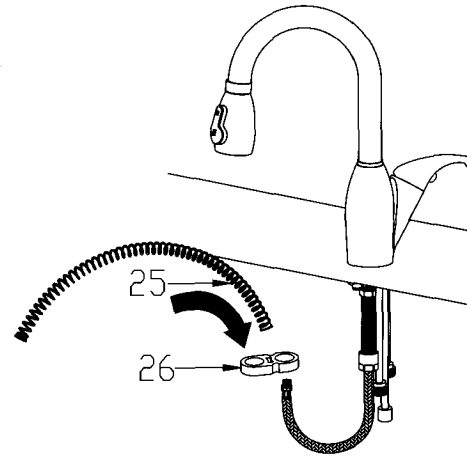
Step ③



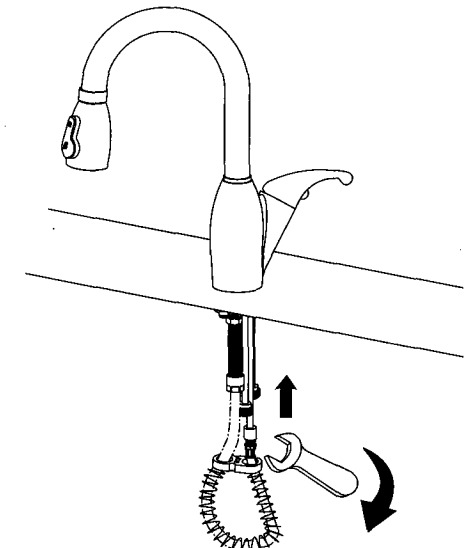
Step ④



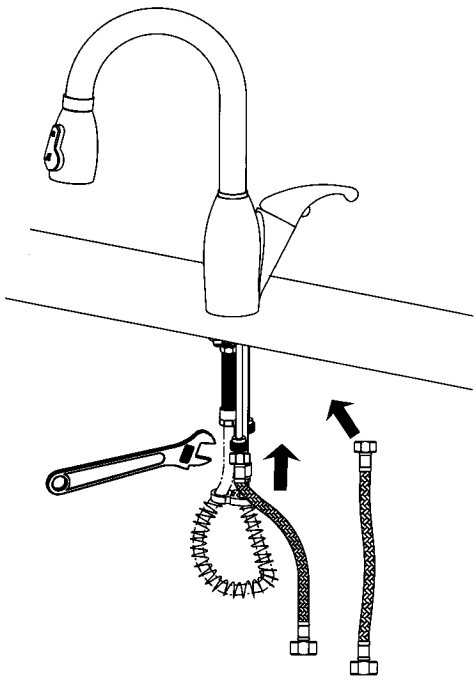
Step ⑤



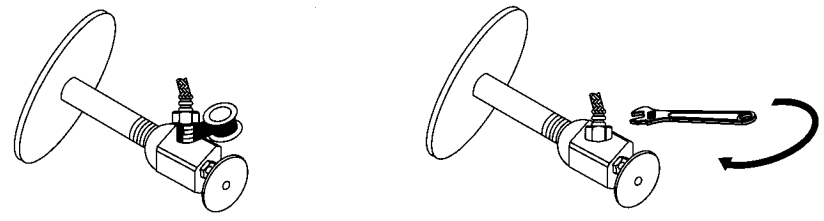
Step ⑥



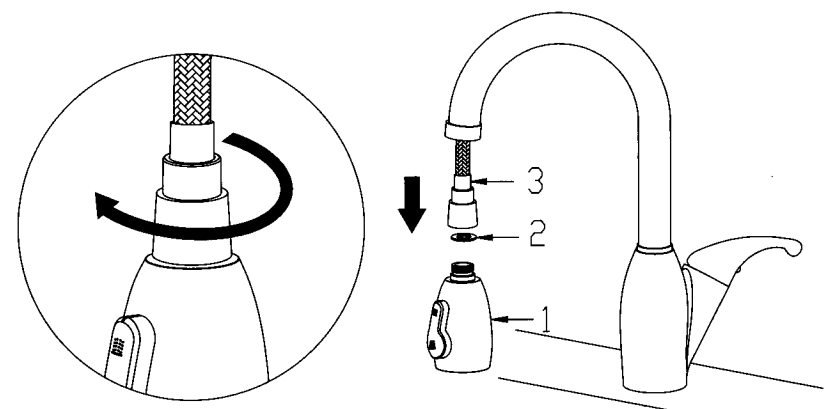
Step ⑦



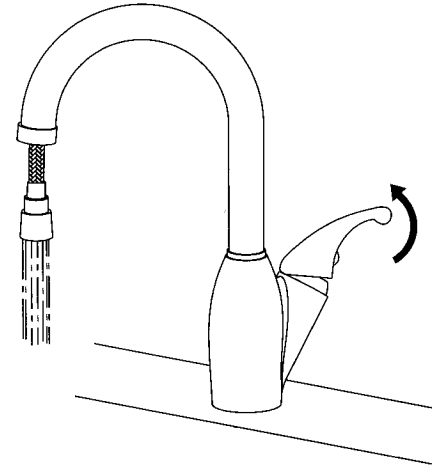
Step ⑧



Step ⑨



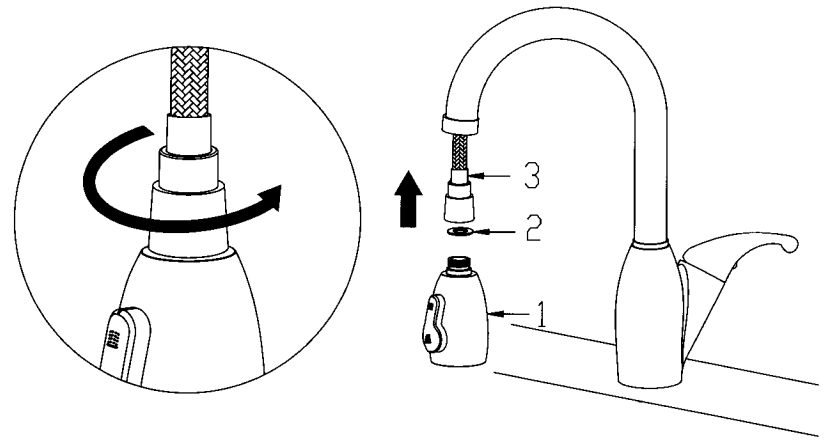
Step ⑩



Notice:

Please removing all of the sand, silt and other things from the water hose before assembling, to avoid blocking the faucet and effecting water rate. Please use the special tools to disassemble it and wash with pneumatic equipment, if the faucet blocked.

Step ⑪



Step ⑫

