

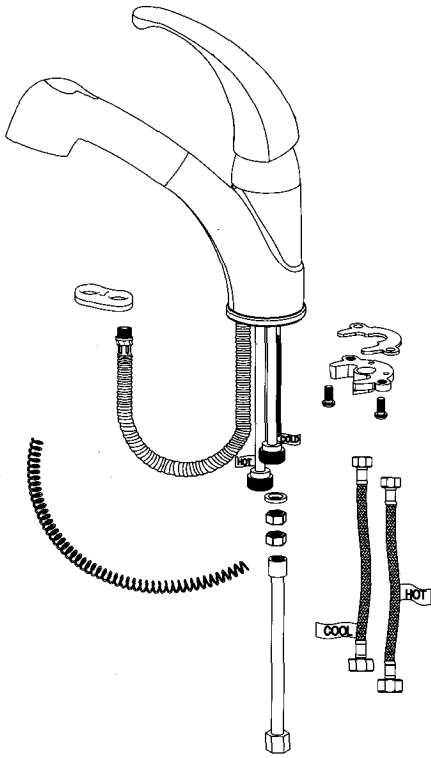
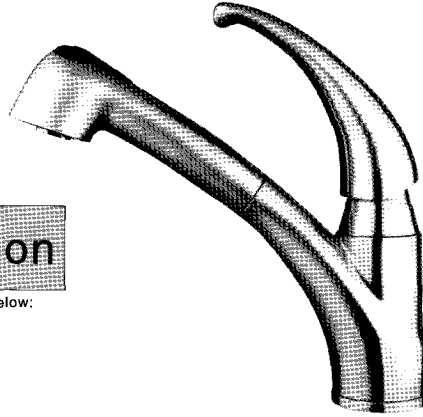
# Installation Instruction

Single Lever Kitchen Faucet With Pull-out Sprayer

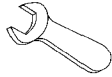
AW 08 06 00202 -

## Before Your Installation

Check to make sure you have the following parts indicated below:



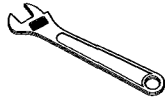
## Tools You Will Need



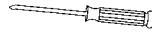
Small spanner  
(Supplied)



Tools for loosening  
the hexagon nut  
(supplied)



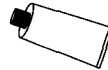
Adjustable wrench



Phillips screwdriver



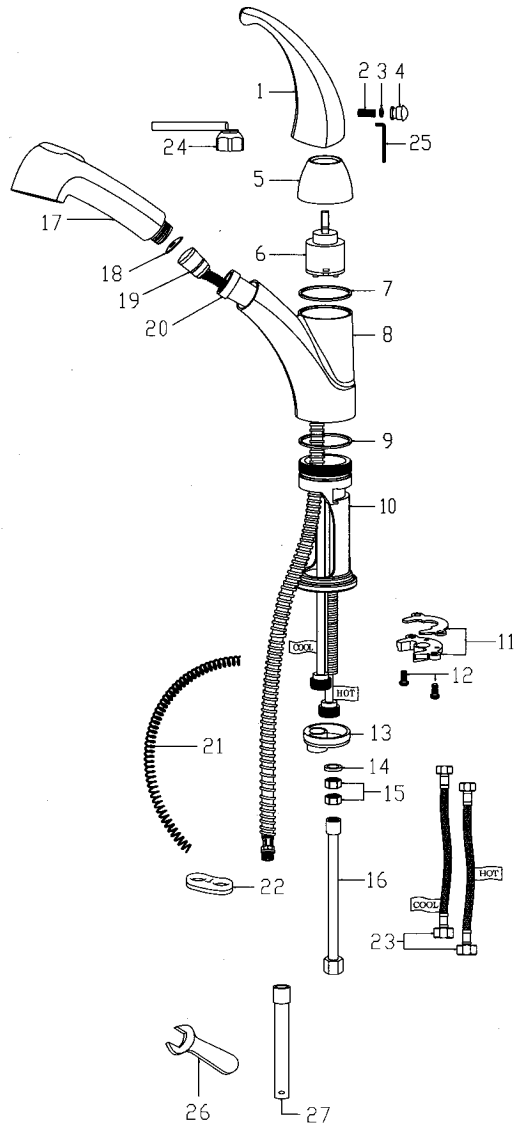
Pipe tape  
(supplied)



Lithium base grease  
(supplied)

# Replacement Parts

Keep this manual for ordering replacement parts.

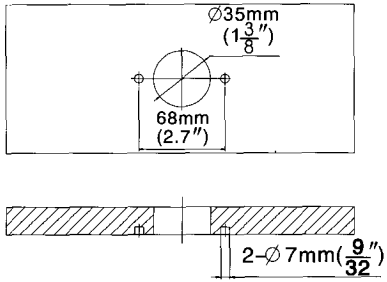


## NO NAME

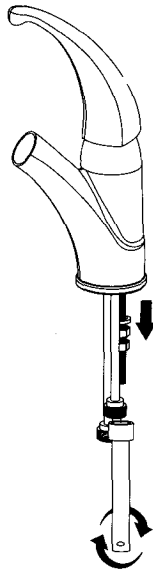
1. Handle
2. Allen screw (M6)
3. O ring
4. Accessorized
5. Lock nut
6. Ø40 Cartridge
7. Gasket against friction
8. Faucet body
9. Gasket against friction
10. Cartridge holder
11. Fixation sets
12. Phillips screw
13. Flexible holder
14. Underlay
15. Hexagon nut
16. Extension for flexible hose
17. Pull-out Spout
18. Washer
19. Flexible hose
20. Spout holder
21. Spring
22. Spring holder
23. Supply pipe
24. Hexagon wrench
25. Tools for disassembling the valve
26. Small spanner
27. Tools for loosening the hexagon nut

# Faucet Installation Procedures

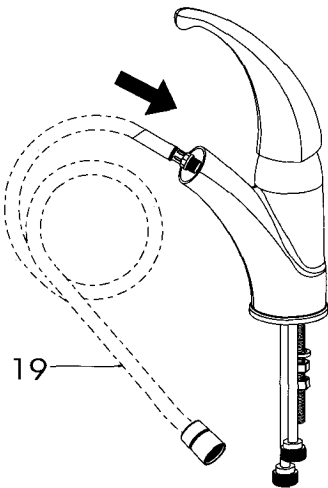
Step ①



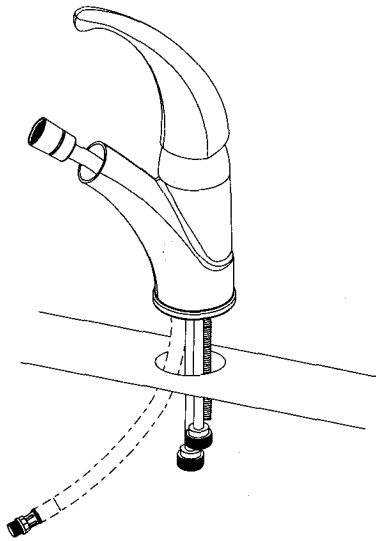
Step ②



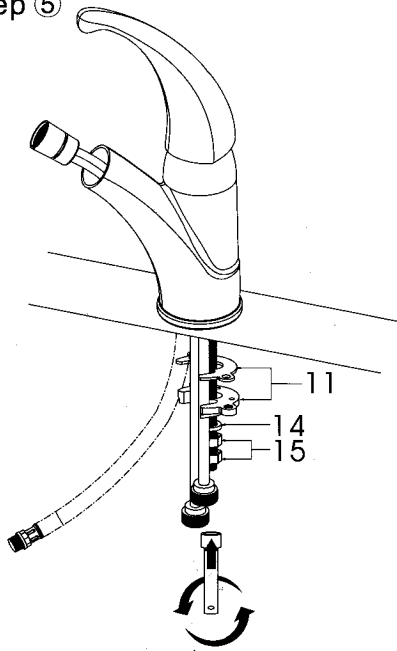
Step ③



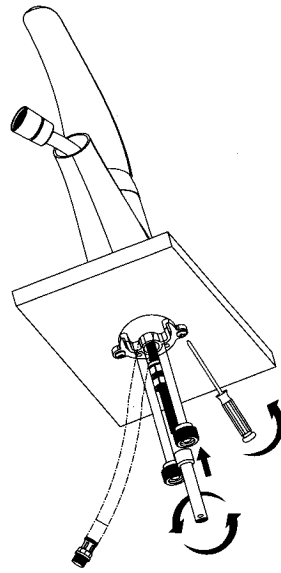
Step ④



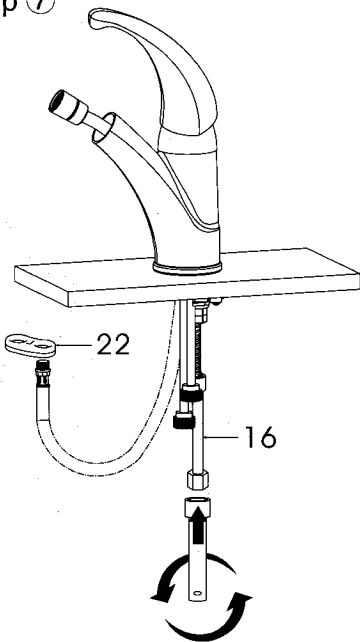
Step ⑤



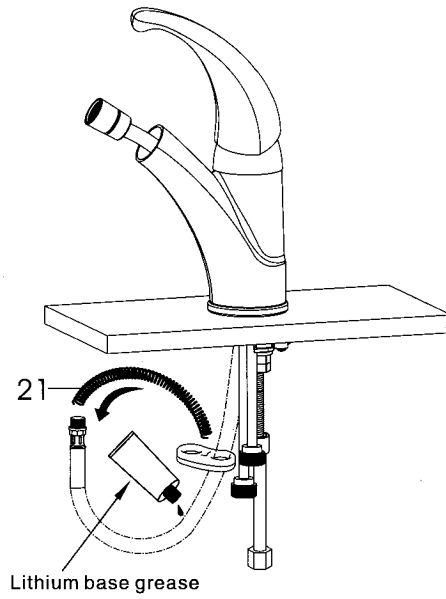
Step ⑥



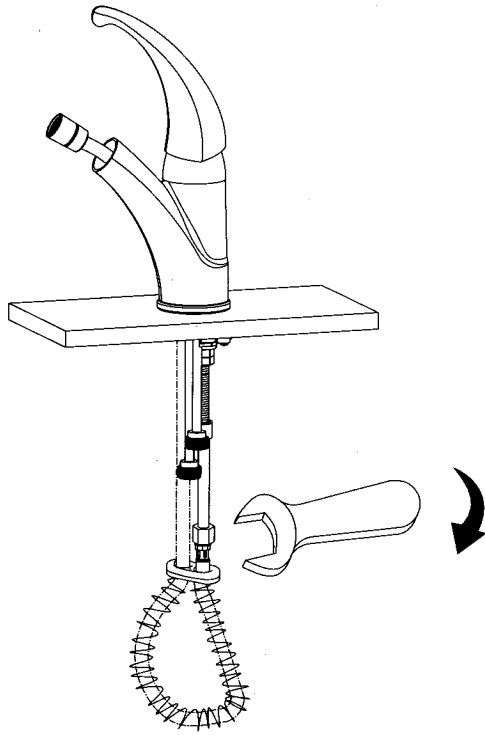
Step ⑦



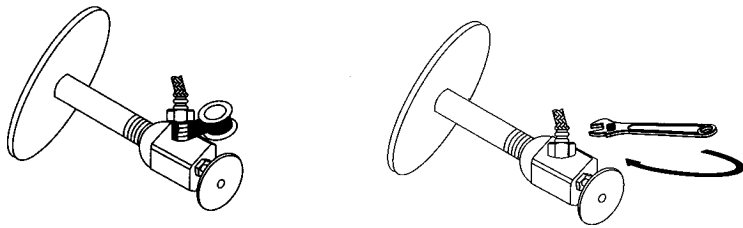
Step ⑧



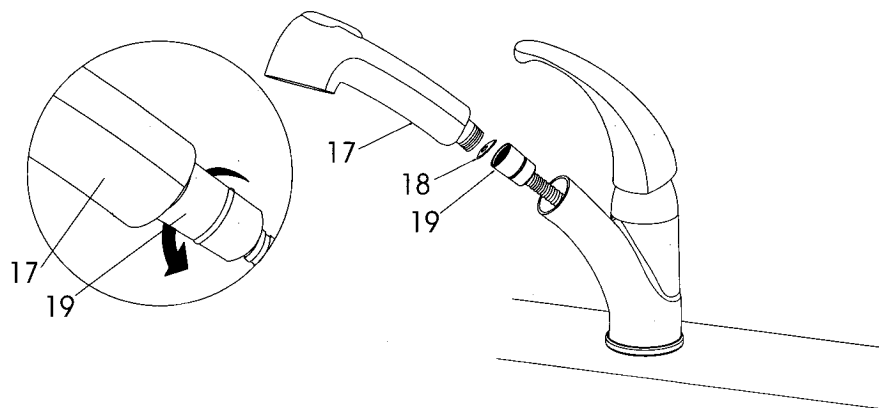
Step 9



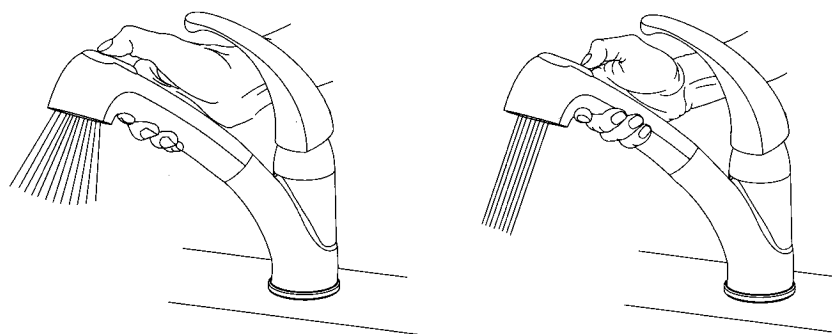
Step 10



Step ⑪



Step ⑫



Notice:

Please removing all of the sand, silt and other things from the water hose before assembling, to avoid blocking the faucet and effecting water rate.  
Please use the special tools to disassemble it and wash with pneumatic equipment, if the faucet blocked.