



# Indy™ Two Handle Widespread Basin Bathroom Faucet

FUS-14103

## **Congratulations on the purchase of your new Kraus® plumbing fixture!**

Please keep the box and packaging materials until your product is completely installed. If you have any questions, require technical assistance or have any problems with your product:



**DO NOT RETURN TO STORE**

**Please contact our Customer Service Team  
1-800-775-0703 / [customerservice@kraususa.com](mailto:customerservice@kraususa.com)**

Have the model number available and retain a copy of your receipt with purchase date for reference.

If for any reason this product does not meet your expectations, please be sure to repack this product in the original box and packaging material to avoid damage during transit.

**STOP**

### Prior to Installation:

- Make sure you have all necessary parts by checking the diagram and parts list. If any part is missing or damaged, please contact Kraus® Customer Service at 800-775-0703 for a replacement.
- Read all instructions and safety warnings and ensure you have all tools, parts, and equipment necessary for a safe installation.
- Turn off the hot and cold water supply at the angle stops and turn on the old faucet to release any built up pressure. Remove existing faucet. Clean sink or countertop to remove any debris, plumber's putty, or silicone.
- Flush angle stops to release any debris prior to installation.
- Pre-drilled hole size requirement: 1 3/8" (min)
- Max countertop thickness: 2"

**For technical assistance or replacement parts, please contact Kraus Customer Service and one of our representatives will be happy to help:**  
Toll-Free: 800-775-0703 or [Customerservice@kraususa.com](mailto:Customerservice@kraususa.com)

### Care & Maintenance

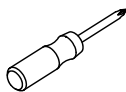
- \* To keep the product clean & shining, follow the steps below:
  1. Rinse with clean water & dry with a soft cloth
  2. Do not clean with soaps, acid, polish, abrasives or harsh cleaners
  3. Do not use cloth with a coarse surface
  4. Unscrew the aerator and clean when necessary
- \* This installation manual is subject to change without further notice.



### Tools Required



Adjustable Wrench



Phillips Screwdriver



Silicone Sealant

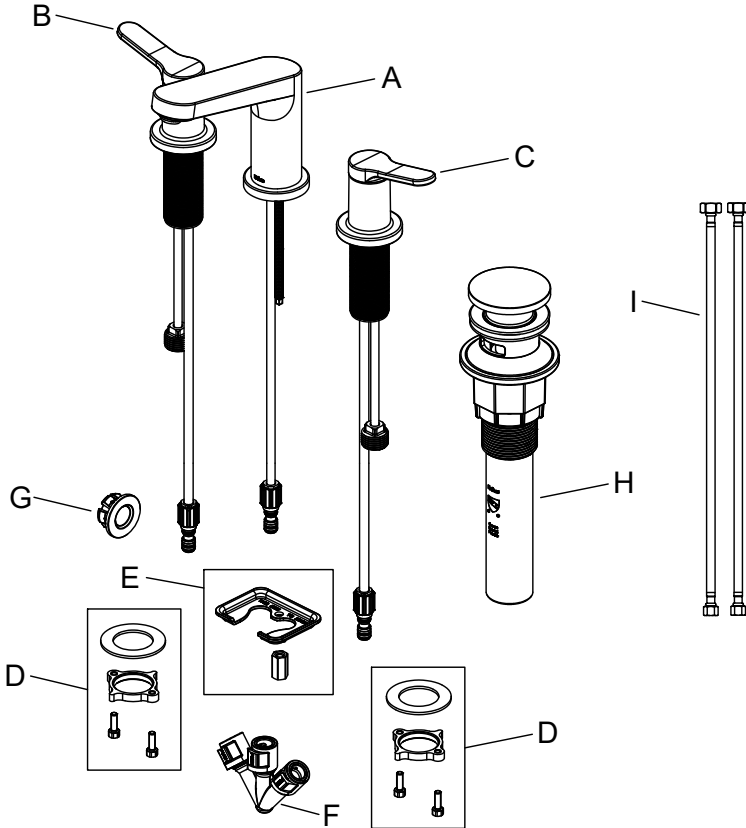


Safety Goggles



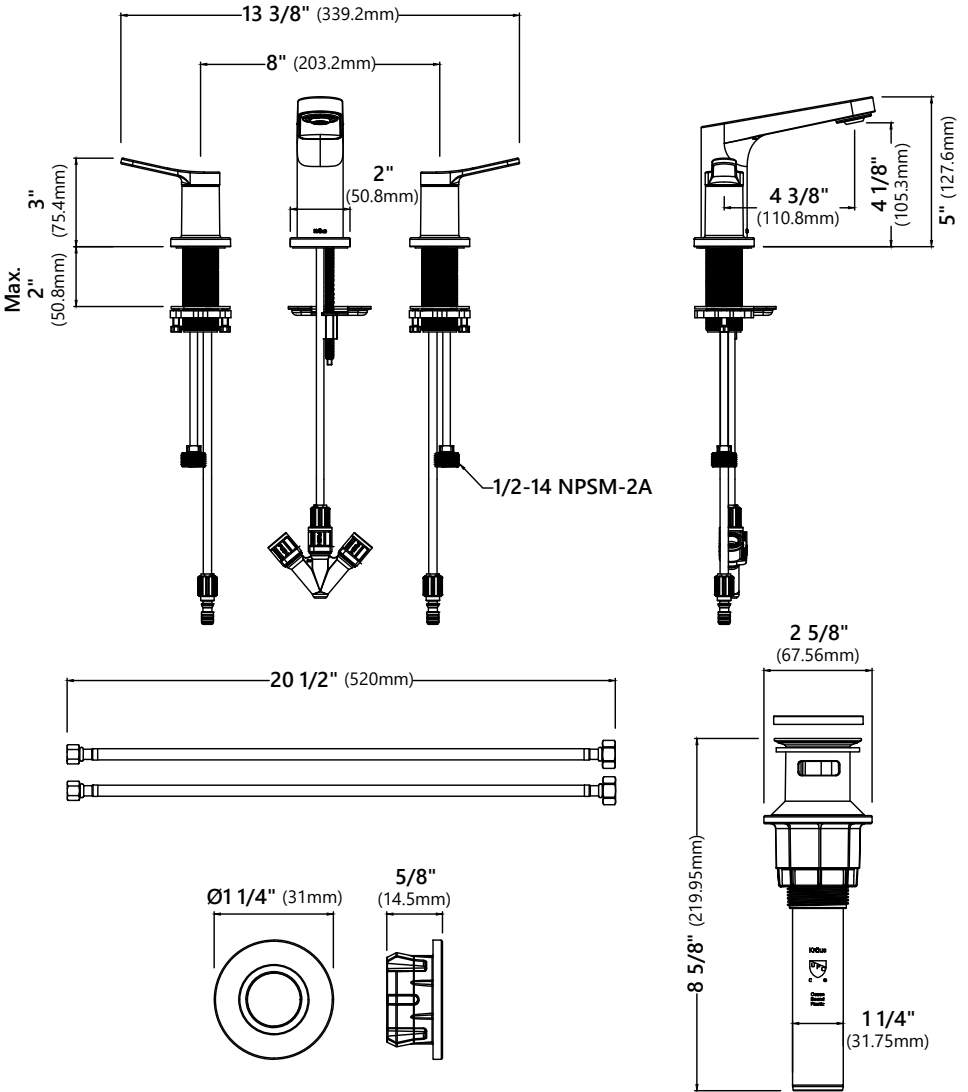
Pipe Tape

## Diagram and Parts List



- |                             |                        |
|-----------------------------|------------------------|
| A. Faucet Body              | F. Three-Way Connector |
| B. Hot Handle               | G. Overflow Cap        |
| C. Cold Handle              | H. Pop Up Drain        |
| D. Handle Mounting Hardware | I. Waterlines          |
| E. Spout Mounting Hardware  |                        |

# Faucet Dimensions

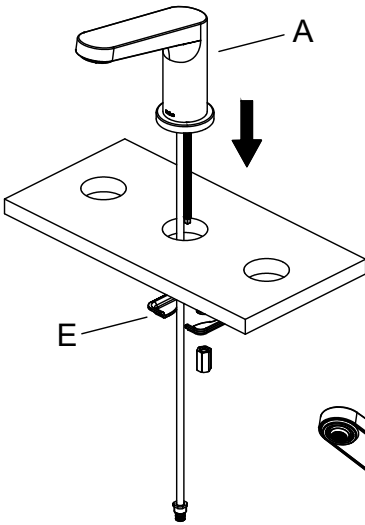


## Installer Tip:

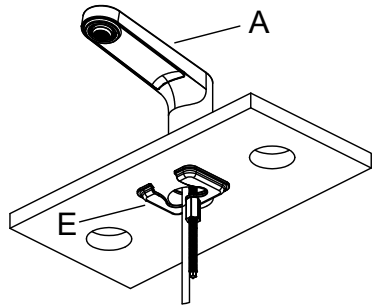
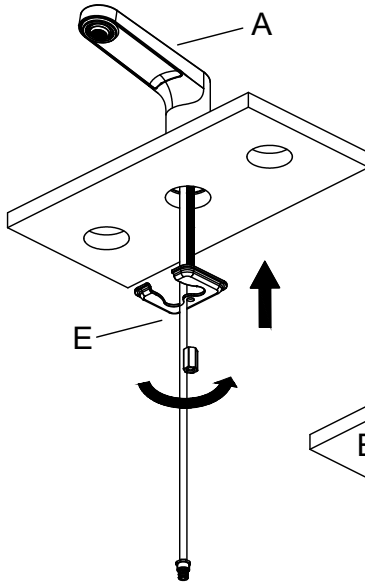
Shut off main water supply before installing new faucet.

## Step 1. Install faucet and mounting bracket

---

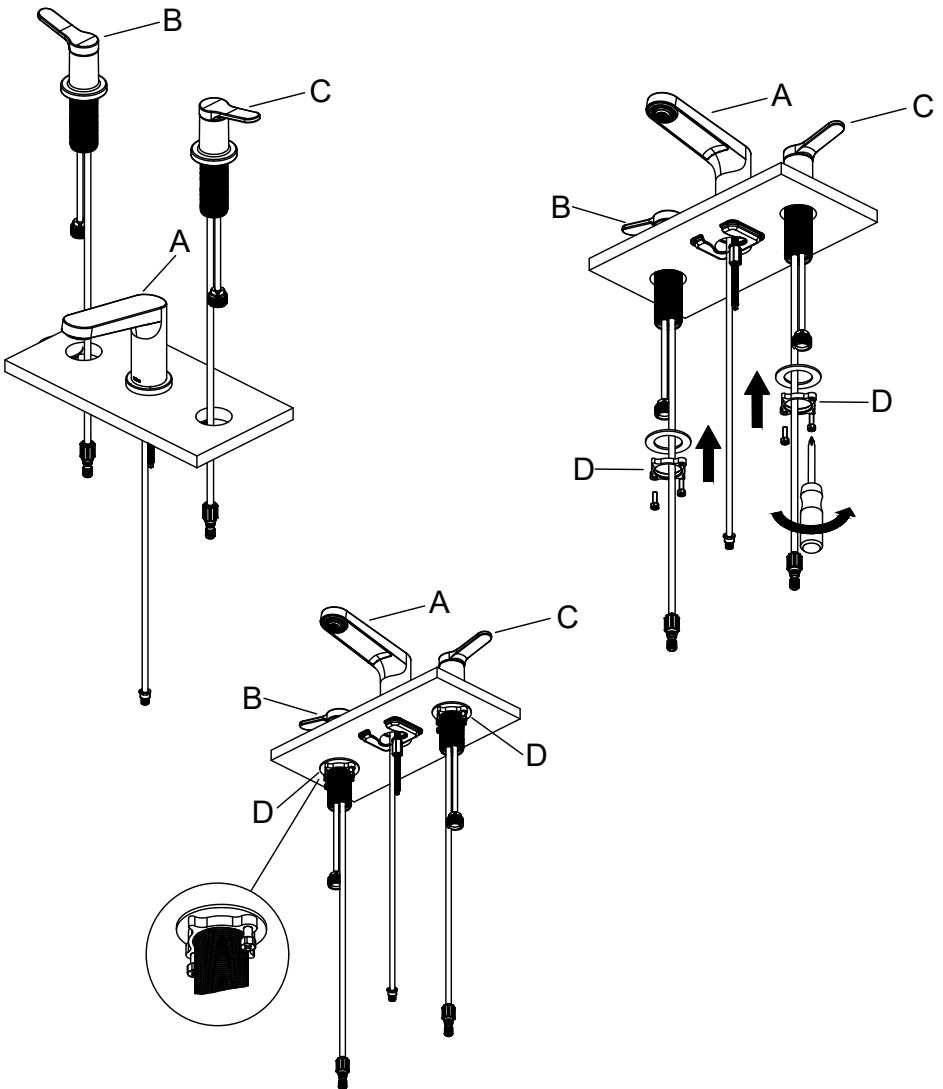


Shut off hot and cold water supplies. Remove the old faucet. Place the faucet body (A) through the center hole in the countertop or sink. Secure the faucet body (A) with the bracket (E) from underneath the countertop or sink by threading the nut up the pin until fully tightened.



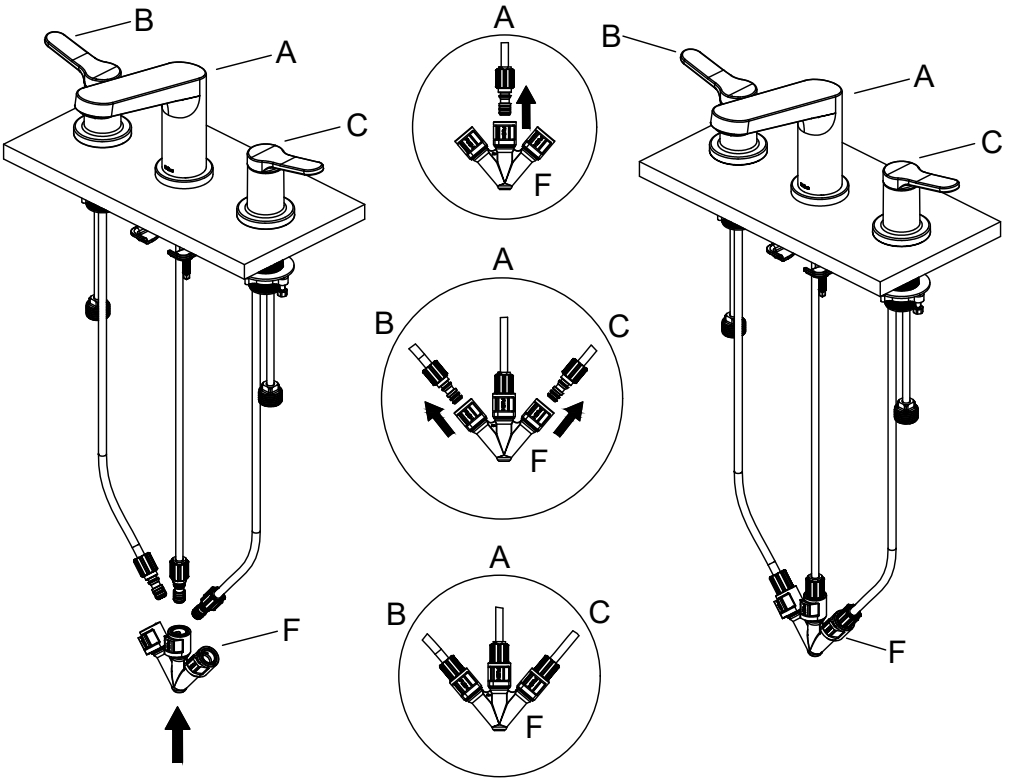
## Step 2. Install the handles

Install the hot handle (B) through the left hole in the sink or countertop and secure it with the mounting hardware (D). Place the washer first, then the mounting nut. Secure with the mounting screws using a phillips head screwdriver. Repeat these steps for the cold handle (C) on the right side.



### Step 3. Install the three-way connector

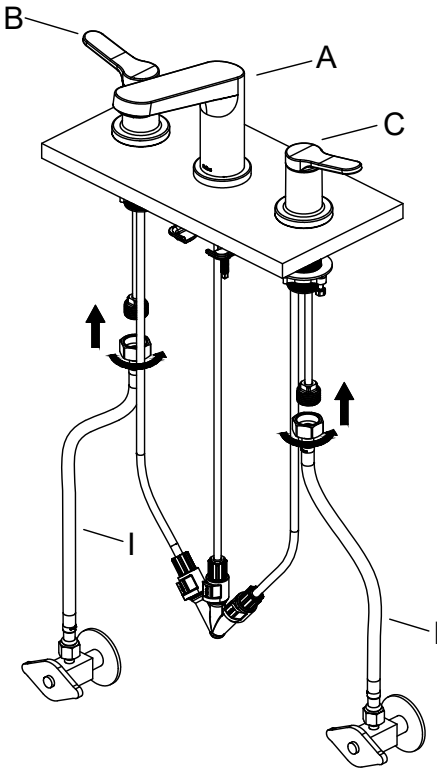
Install the three-way connector (F) to the faucet body (A) hose and hot and cold handle (B & C) hoses by pushing up on each.





## Step 4. Connect waterlines

---



Attach waterlines (I) to the faucet. Then attach waterlines to angle stops, matching cold to cold and hot to hot. Tighten all connections until snug. Turn on angle stops and check for leaks. **(DO NOT TURN FAUCET ON)**

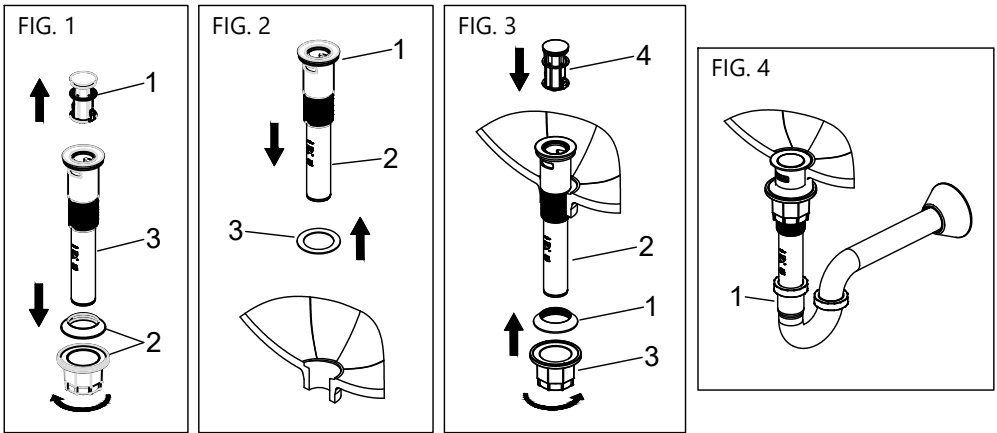
**NOTE:** Make sure filter washers are installed.

## Step 5. Install pop-up drain

Remove head (1), nut, washer and black seal (2) from the body (3). [FIG. 1]

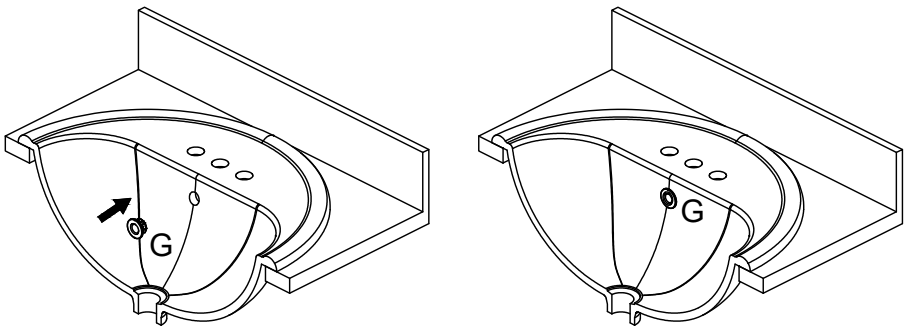
Apply the rubber washer (3) to the underside of the flange (1). Then, insert the body (2) into the sink. [FIG. 2]

Install the black seal (1) onto the threads on the body (2). Install the nut (3) and hand tighten to the sink. Insert the head (4) into the body (2). [FIG. 3] Connect assembly to drain (1). [FIG. 4]



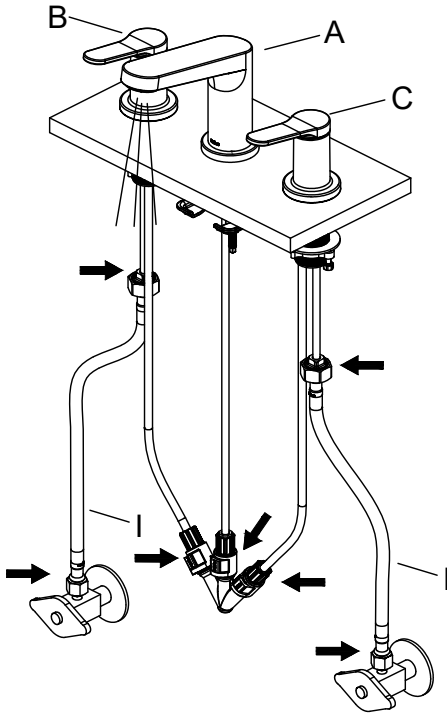
## Step 6. Install the overflow cap

Place the overflow cap (G) into the hole in the sink by pushing it in until flush with the sink.



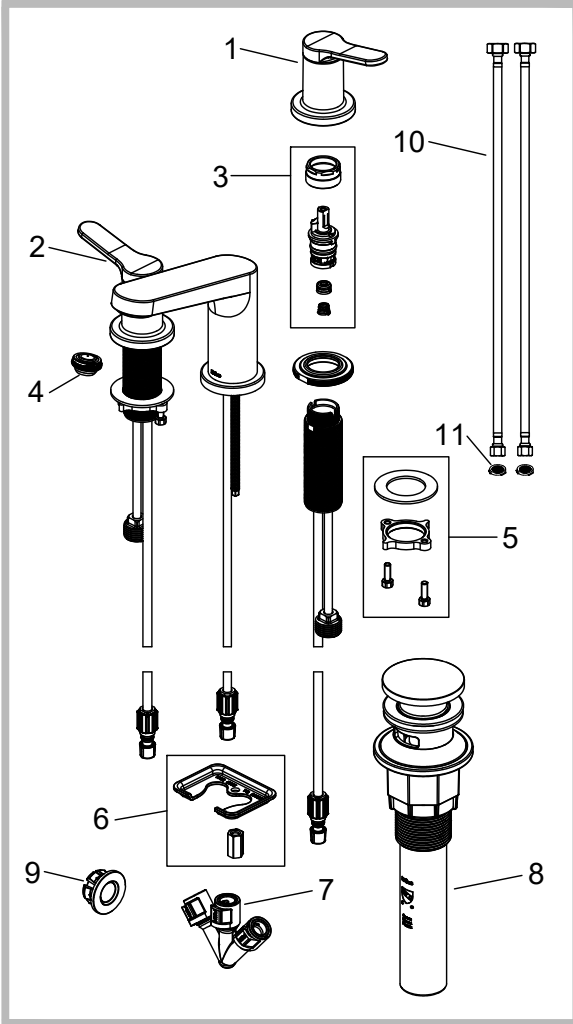
## Step 7. Check for leaks/Flush faucet

---



Turn on the hot and cold water supplies. Turn the water on for 1 minute to remove any debris. Check all connections for leaks. Retighten if necessary, but do not overtighten.

# Replacement Parts



Replacement Parts List	Finish/Color	Part #
1. Cold Handle	CH, MB, SFBN, SFBB, SFBMB, SFBNMB*	KP65026
2. Hot Handle	CH, MB, SFBN, SFBB, SFBMB, SFBNMB*	KP65027
3. Cartridge		KP65032
4. Aerator		KP65033
5. Handle Mounting Hardware		KP65024
6. Spout Mounting Hardware		KP65016
7. Three-Way Connector		KP65025
8. Pop Up	CH, MB, SFBN, SFBB, SFBMB, SFBNMB*	KP65030
9. Overflow Cap	CH, MB, SFBN, SFBB*	KP65019
10. Waterlines		KP65008
11. Filter Washer		KP65009

\*Denotes faucet component color options:  
 SFBN - Spot Free Brushed Nickel  
 SFBB - Spot Free Brushed Brass  
 SFBNMB - Spot Free Brushed Nickel/Matte Black  
 SFBMB - Spot Free Brushed Brass/Matte Black  
 CH - Chrome  
 MB - Matte Black  
 BL - Black  
 GR - Grey

## Troubleshooting

If you have followed the instructions carefully and your faucet still does not work properly, take the following corrective steps:

PROBLEM	CAUSE	ACTION
Leakage under faucet handle	Hot or cold cartridge may be loose.	Remove the handle by hand by turning the handle base counterclockwise. Tighten the bonnet nut with an adjustable wrench.
Water does not shut off completely	Cartridge may need to be adjusted or replaced.	Remove the handle by hand by turning the handle base counterclockwise. Loosen bonnet nut with an adjustable wrench. Remove the cartridge. Check for cracks.
Aerator drips or has inconsistent water flow pattern	Aerator is dirty or not seated properly.	Unscrew aerator with aerator wrench and clean out debris.
There is leaking from the sink drain at the base of the sink	The sink has a rough or irregular surface.	Apply additional silicone sealant to the beveled side of the drain flange. Retighten and test for leaks.
There is a low flow of water	The screen filters in the hose connectors are dirty.	Turn off the water supply at the water valves and unscrew the hose connectors from the water supply lines. Clean the screens in the water lines with hot water, removing any debris or calcium build up.

## Codes/Standards Applicable:



ASME A112.18.1  
1.2GPM 4.5L/min maximum

### Faucet - Lifetime Limited Warranty

Kraus® USA Plumbing, LLC ("Kraus") extends this warranty to the original purchaser for personal household use of the Faucet when purchased from an authorized Kraus dealer and in the location of original installation. This warranty is non-transferable.

Kraus warrants the structure and finish of the Faucet to be free from defects in material and workmanship under normal usage for as long as the original purchaser resides in the residence in which the Faucet was first installed.

Kraus warrants the Faucet's sprayhead assembly (including the engine, aerators, structure, restrictors, back flow preventers, sprayer hoses, braided supply line hoses which encompasses nylon, silicon and stainless steel) of the product to be free from defects in material and workmanship under normal usage for a period of one (1) year from the date of purchase.

Kraus warrants the Faucet's cartridge to be free from defects in material and workmanship under normal usage for a period of five (5) years from the date of purchase.

Any product reported to the authorized dealer or to Kraus as being defective within the warranty period will be repaired or replaced with a product of equal value at the option of Kraus.

### Commercial Warranty

Kraus USA Plumbing, LLC ("Kraus") warrants its Products for a period of one (1) year to commercial purchasers of Products used in industrial, commercial and business applications.

### Care and Cleaning Instructions

Certain cleaning products may cause damage to a Product's finish and use of the following on the Product will void this warranty:

- Abrasive cleaners such as powders, bleach, ammonia, alcohol or chlorine
- Abrasive pads, steel wool or wire brushes

### What is Not Covered

This warranty does not cover Products that were discontinued when purchased or display Products, whether such Products were purchased at discount outlets, unauthorized dealers, and/or sold on clearance. This warranty does not cover any free gifts included with purchase.

This warranty does not cover damage resulting from neglect, misuse (including use for an unintended application), abuse, carelessness, accident, hard water or mineral deposits, exposure to corrosive materials, improper maintenance, alteration of the Product, or failure to follow care, cleaning or installation instructions enclosed with your Product. Kraus recommends that all Kraus Products be installed by a fully licensed and insured trade professional with experience in the installation of bathroom and/or kitchen manufactured goods.

### How to Make a Warranty Claim

If you are a **consumer purchaser**, please contact a Kraus® Customer Service Representative at:

Kraus USA Plumbing, LLC  
12 Harbor Park Drive  
Port Washington, NY 11050  
Toll-free 800-775-0703  
Customerservice@kraususa.com

If you are a **plumbing contractor or trade professional**, please contact a Kraus Pro Representative at:

Kraus USA Plumbing, LLC  
12 Harbor Park Drive  
Port Washington, NY 11050  
516-801-8955  
Proservice@kraususa.com

If you are an **authorized partner**, please contact a Partner Support Representative at:

Kraus USA Plumbing, LLC  
12 Harbor Park Drive  
Port Washington, NY 11050  
516-801-8954  
Partnersupport@kraususa.com

In requesting warranty service, please be ready to provide your proof of purchase and a description of the problem. Shipping charges will be covered for the first (1) year of the warranted replacement part or product (HI, AK, and Puerto Rico shipping charges may apply). International shipping fees are not included.

### Limitation on Duration of Implied Warranties

Please note that some states/provinces (including Quebec) do not allow limitations on how long an implied warranty lasts, so the below limitations may not apply to you. TO THE MAXIMUM EXTENT PERMITTED BY APPLICABLE LAW, ANY IMPLIED WARRANTY, INCLUDING THE IMPLIED WARRANTIES OF MERCHANTABILITY AND OF FITNESS FOR A PARTICULAR PURPOSE, IS LIMITED TO THE STATUTORY PERIOD OR THE DURATION OF THIS WARRANTY, WHICHEVER IS SHORTER.

### Limitation of Special, Incidental or Consequential Damages

Please note that some states/provinces (including Quebec) do not allow the exclusion or limitation of special, incidental or consequential damages, so the below limitations and exclusions may not apply to you. TO THE MAXIMUM EXTENT PERMITTED BY APPLICABLE LAW, THIS WARRANTY DOES NOT COVER, AND KRAUS USA PLUMBING, LLC SHALL NOT BE LIABLE FOR, ANY SPECIAL, INCIDENTAL OR CONSEQUENTIAL DAMAGES (INCLUDING LABOR CHARGES TO REPAIR, REPLACE, INSTALL OR REMOVE THIS PRODUCT), WHETHER ARISING OUT OF BREACH OF ANY EXPRESS OR IMPLIED WARRANTY, BREACH OF CONTRACT, TORT, OR OTHERWISE.

This warranty gives you specific legal rights, and you may also have other rights which vary from state/province to state/province.

**Download the Kraus Care & Maintenance Guide at:**  
<http://www.kraususa.com/maintenance>

# IMPORTANT

## Register Your Kraus Product

**Activate** Your Warranty

**Access** Premium Customer Support

**Get** Product Information

**REGISTER TODAY**

<http://www.kraususa.com/registration>



**Kräus**<sup>®</sup>  
www.kraususa.com