

## KWD210-75

### Garbage Disposal

#### Garbage Disposal Dimensions

Overall Dimensions: 8 5/8" x 10 5/8" x 15 1/4"

#### Features

- 3 Bolt Install
- 3/4 Horsepower
- 3800RPM Motor Speed
- Permanent Magnet Motor Type
- 40.6 oz. Grind Chamber Capacity
- Stainless Steel Jam Resistant Grinding System
- Continuous Feed
- Sound Insulated
- Splash Guard
- Sink Stopper
- Anti-Vibration Mount
- Manual Reset Overload
- Connection to Dishwasher
- 1 1/2" Drain Connection
- 7/8" Dishwasher Connection

#### Specifications

- Voltage 110V 60Hz
- Amperage 5A
- On/Off Control Wall Switch

#### Available Colors

- Black

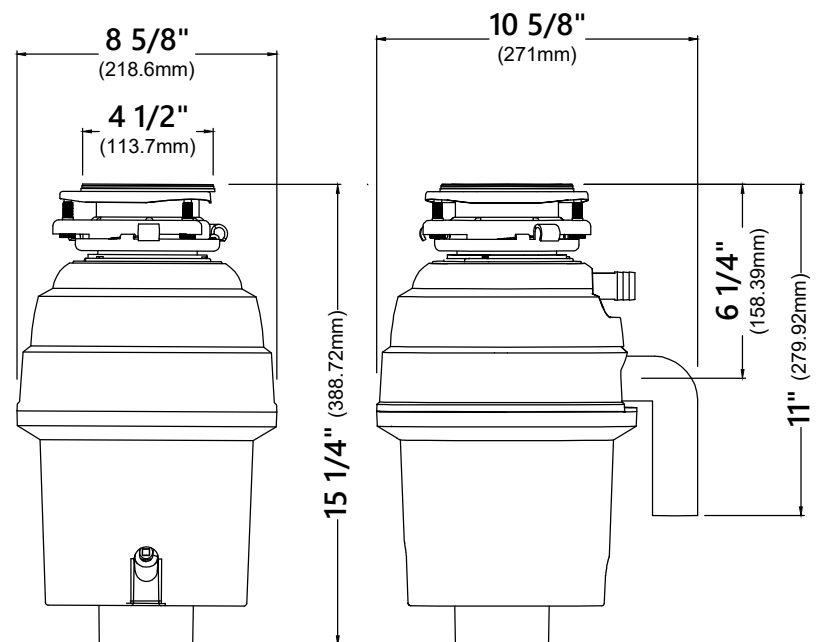
#### Optional Accessories

- Air Switch KWDA-100
- Garbage Disposal Strainer/Stopper GDC-2, GDC-4
- Garbage Disposal Stopper GDC-1, GDC-3
- Garbage Disposal Adapter GDA-1, GDA-3, GDA-4

#### CODES/STANDARDS:

#### Product Certification

cUPC, ETL and ISTA certified



**Note:** Availability of Kraus Garbage Disposal Accessories may vary based on supply. Universal compatibility with most major brands for quick and easy installation.

#### Warranty

Kraus Limited 5 Year Warranty

see website for details [www.kraususa.com](http://www.kraususa.com)

Kraus USA Plumbing LLC Customer Service

1.800.775.0703 | [customerservice@kraususa.com](mailto:customerservice@kraususa.com)