

KBU44

32 Inch Undermount Single Bowl Stainless Steel Kitchen Sink

Kräus®

SPECIFICATION SHEET

Sink Dimensions

Overall Dimensions: 32 3/8" x 18 1/2" x 9"

Bowl Dimensions: 30 3/8" x 16 5/8" x 8 5/8"

Features

- Stainless Steel 18 Gauge Construction
- Undermount Single Bowl Sink
- Required Minimum Cabinet Size: 36" Left to Right
24" Front to Back
- Center Set Drain
- 3 1/2" Drain Opening
- NoiseDefend Undercoating and Sound
Dampening Pads

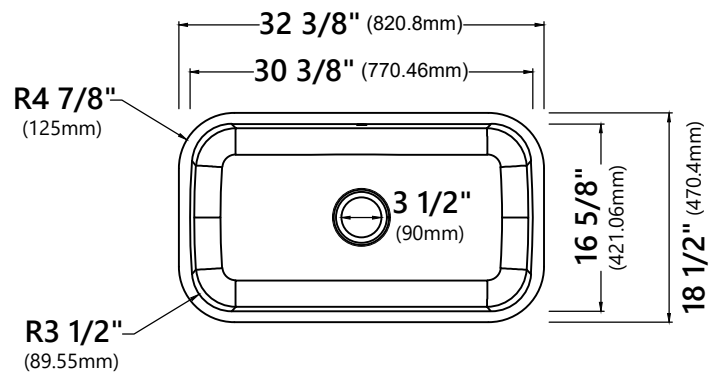
Accessories Included

- Strainer ST-1
- Bottom Grid KBG-44
- Cut-Out Template
- Mounting Hardware

CODES/STANDARDS:

Product Certification

cUPC (ASME A112.19.3/CSA B45.4)



Warranty

Kraus Limited Lifetime Warranty

see website for details www.kraususa.com