

# KWS101-19

## 19 Inch Scullery Workstation Single Bowl Stainless Steel Sink



### SPECIFICATION SHEET

#### Sink Dimensions

Overall Dimensions: 19" x 25" x 12 1/2"  
Bowl Dimensions: 15 1/2" x 19 5/8" x 12"

#### Features

- Designed to withstand the heavy-duty requirements of hotel, restaurant, cafeteria and other commercial kitchens
- 18 Gauge Stainless Steel Construction
- Standard 3 1/2" drain opening to fit standard strainers
- Adjustable stainless steel tubular legs, with rubber skid resistant feet
- Additional base shelf for added support and storage
- Workstation ledge allows you to work directly over the sink when prepping, straining, or serving

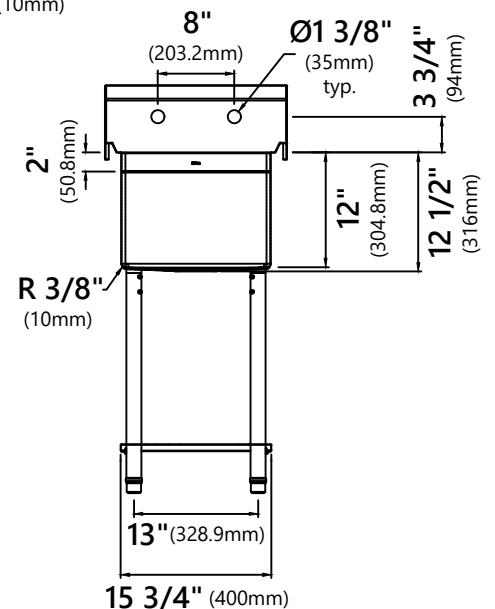
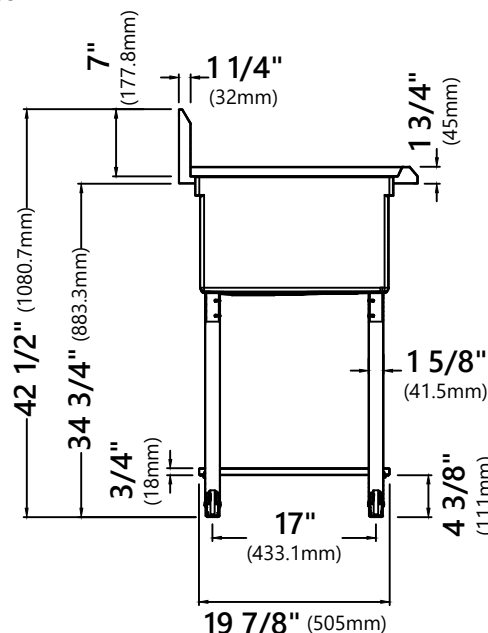
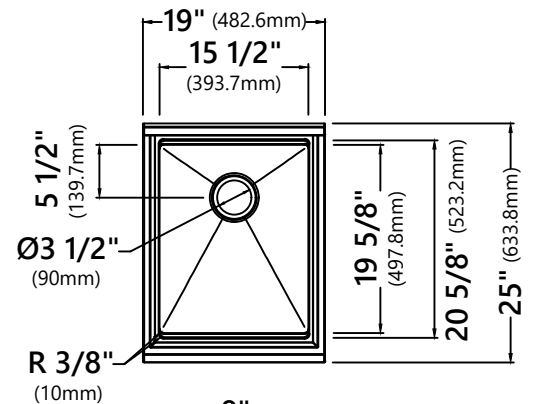
#### Included Accessories

- Sink Strainer ST-1

#### CODES/STANDARDS:

#### Product Certification

cUPC (ASME A112.19.3/CSA B45.4)



#### Warranty

Kraus Limited Lifetime Warranty

see website for details [www.kraususa.com](http://www.kraususa.com)