

## KWD110-50

### Garbage Disposal

#### Garbage Disposal Dimensions

Overall Dimensions: 5 1/4" x 8 3/4" x 13 7/8"

#### Features

- 1/2 Horsepower
- Quick Connect Install
- 3800RPM Motor Speed
- Permanent Magnet Motor Type
- 27 oz. Grind Chamber Capacity
- Stainless Steel Jam Resistant Grinding System
- Continuous Feed
- Splash Guard
- Sink Stopper
- Anti-Vibration Mount
- Manual Reset Overload
- Connection to Dishwasher
- 1 1/2" Drain Connection

#### Specifications

- Voltage 120V 60Hz
- Amperage 3.25A
- On/Off Control Wall Switch

#### Available Colors

- Matte Black

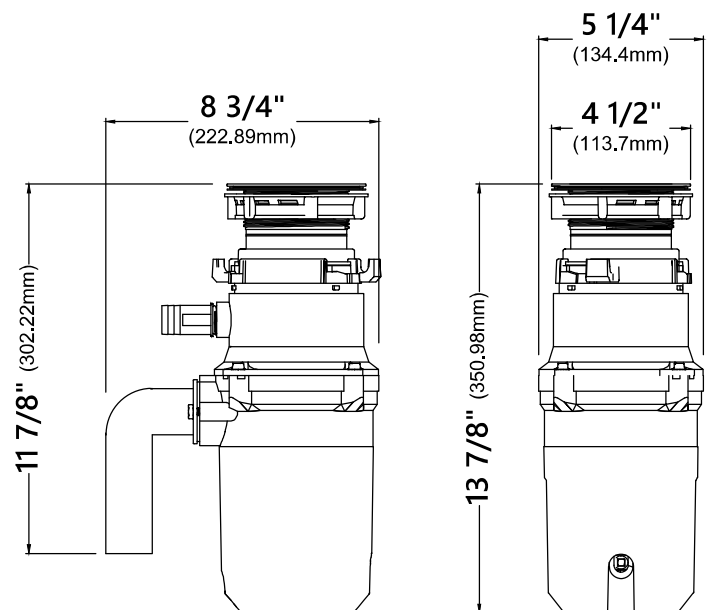
#### Optional Accessories

- Air Switch KWDA-100
- Garbage Disposal Strainer/Stopper GDC-2
- Garbage Disposal Stopper GDC-1
- Garbage Disposal Adapter GDA-2

#### CODES/STANDARDS:

##### Product Certification

cUPC, ETL and ISTA certified



**Note:** Availability of Kraus Garbage Disposal Accessories may vary based on supply. Universal compatibility with most major brands for quick and easy installation.

#### Warranty

Kraus Limited 5 Year Warranty

see website for details [www.kraususa.com](http://www.kraususa.com)

#### Kraus USA Customer Service

1.800.775.0703 | [customerservice@kraususa.com](mailto:customerservice@kraususa.com)