



INSTALLATION GUIDE

**StandardPRO Thick Deck Stainless
Steel Top Mount Kitchen Sink**

**KHT301-18 / KHT301-18/5.5 / KHT301-25 /
KHT300-33 / KHT302-33 / KHT301-22L /
KHT301-25L**

Congratulations on the purchase of your new Kraus plumbing fixture!

Please keep the box and packaging materials until your product is completely installed. If you have any questions, require technical assistance or have any problems with your product:



DO NOT RETURN TO STORE

**Please contact our Customer Service Team
1-800-775-0703 / customerservice@kraususa.com**

Have the model number available and retain a copy of your receipt with purchase date for reference.

If for any reason this product does not meet your expectations, please be sure to repack this product in the original box and packaging material to avoid damage during transit.

Prior to Installation:

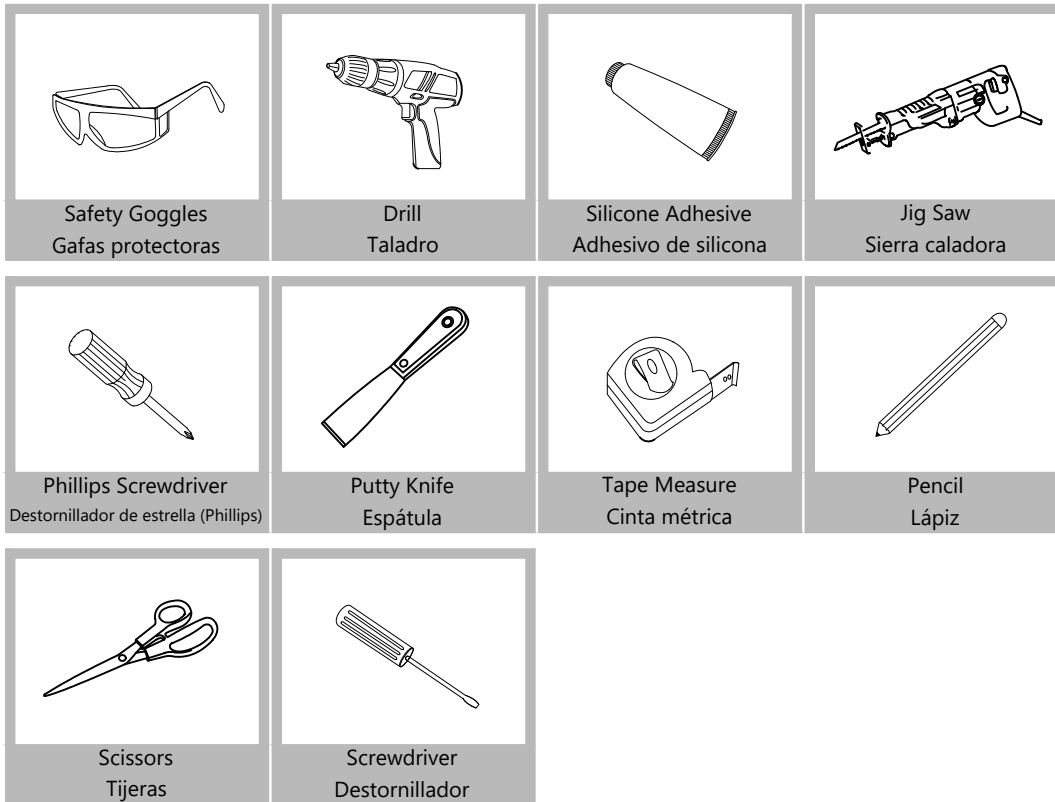
- Make sure that you have all necessary parts by checking the parts list. If any part is missing or damaged, please contact Kraus Customer Service at 800-775-0703 for a replacement
- Inspect the sink prior to installation to make sure that it has not been damaged or during shipping
- Use the cut-out template provided by Kraus
- Observe all plumbing and building codes according to your state requirements

For technical assistance or replacement parts, please contact Kraus Customer Service and one of our representatives will be happy to help:

Toll-Free: 800-775-0703 or customerservice@kraususa.com

The step-by-step guidelines in the installation instructions are a general reference for installing a Kraus sink. Should there be any discrepancies, Kraus cannot be held liable. It is recommended to install all Kraus products by hiring a licensed professional.

Tools you will need:



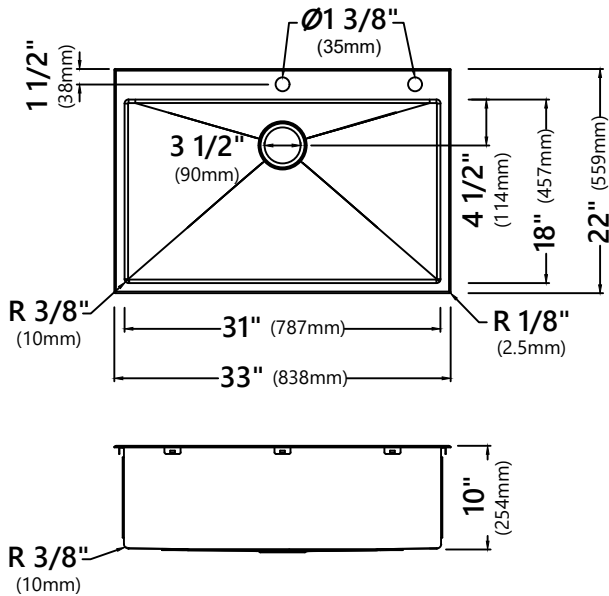
NOTE: Specialized tools may be necessary to install Kraus Stainless Steel Kitchen sinks with countertop materials other than wood, marble or granite.

Parts List

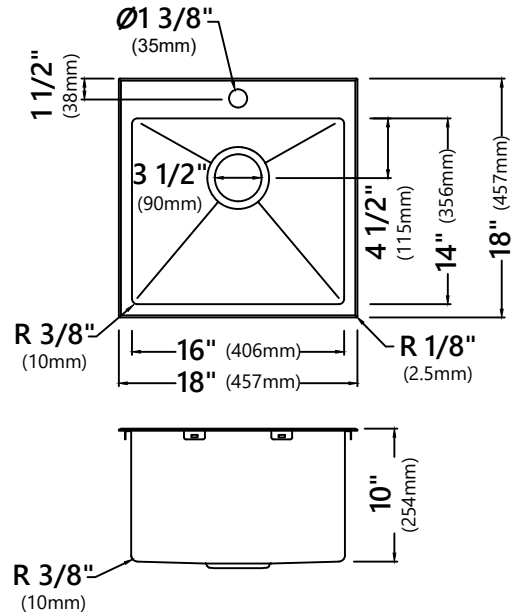
- Cut-Out Template
- Mounting Hardware
- Bottom Grid
- Drain
- Drain Cap

Dimensions:

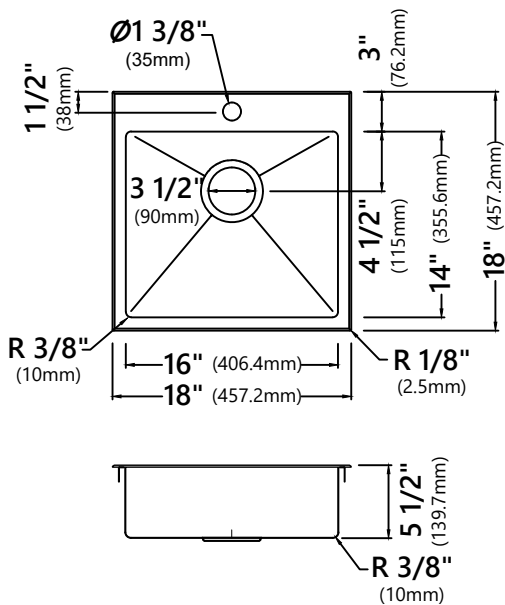
Typical note: *= Special Order



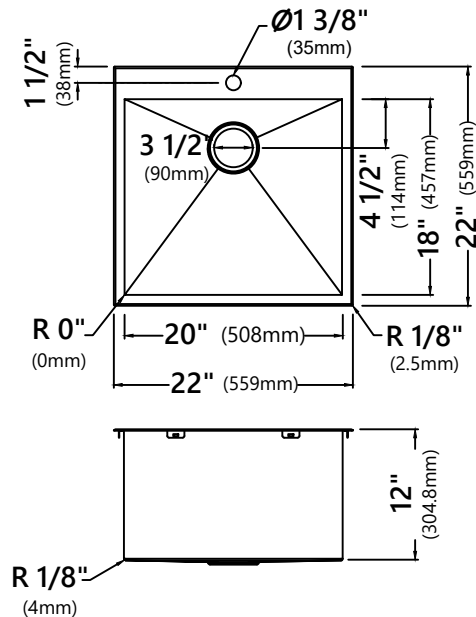
Model #: KHT300-33
 Sink Dimensions: 33" x 22" x 10"
 Min Cabinet Size: 36"
 Matching Grid: KBG-300-33
 Drain Model #: ST-1
 Drain Cap #: STC-2



Model #: KHT301-18
 Sink Dimensions: 18" x 18" x 10"
 Min Cabinet Size: 20"
 Matching Grid: KBG-301-18
 Drain Model #: ST-1
 Drain Cap #: STC-2

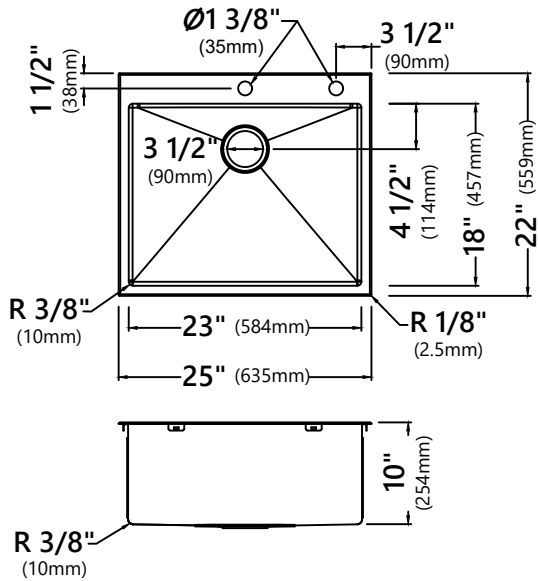


Model #: KHT301-18/5.5*
 Sink Dimensions: 18" x 18" x 5.5"
 Min Cabinet Size: 20"
 Matching Grid: KBG-301-18
 Drain Model #: ST-1
 Drain Cap #: STC-2

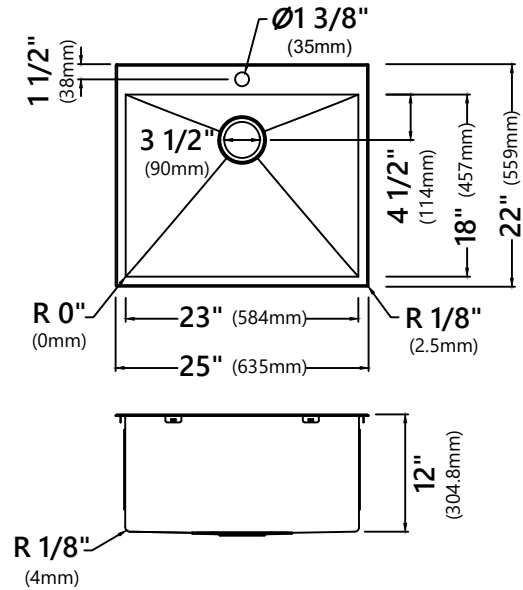


Model #: KHT301-22L
 Sink Dimensions: 22" x 22" x 12"
 Min Cabinet Size: 24"
 Matching Grid: KBG-301-22
 Drain Model #: ST-1
 Drain Cap #: STC-2

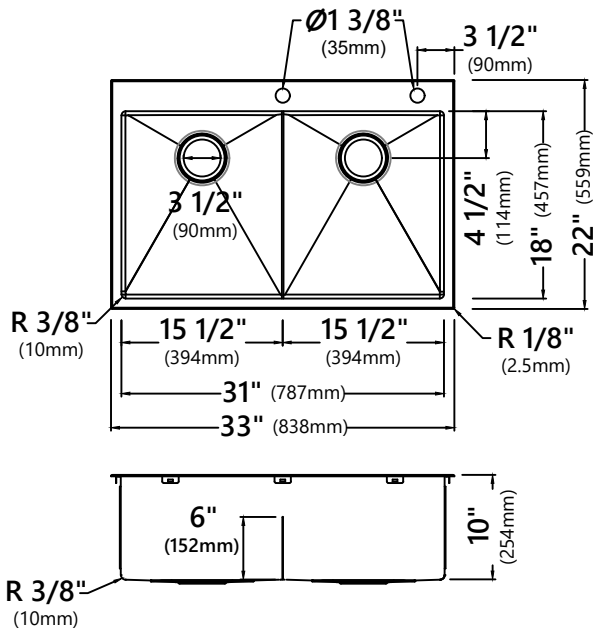
Dimensions:



Model #: KHT301-25
 Sink Dimensions: 25" x 22" x 10"
 Min Cabinet Size: 27"
 Matching Grid: KBG-301-25
 Drain Model #: ST-1
 Drain Cap #: STC-2



Model #: KHT301-25L
 Sink Dimensions: 25" x 22" x 12"
 Min Cabinet Size: 27"
 Matching Grid: KBG-301-25
 Drain Model #: ST-1
 Drain Cap #: STC-2

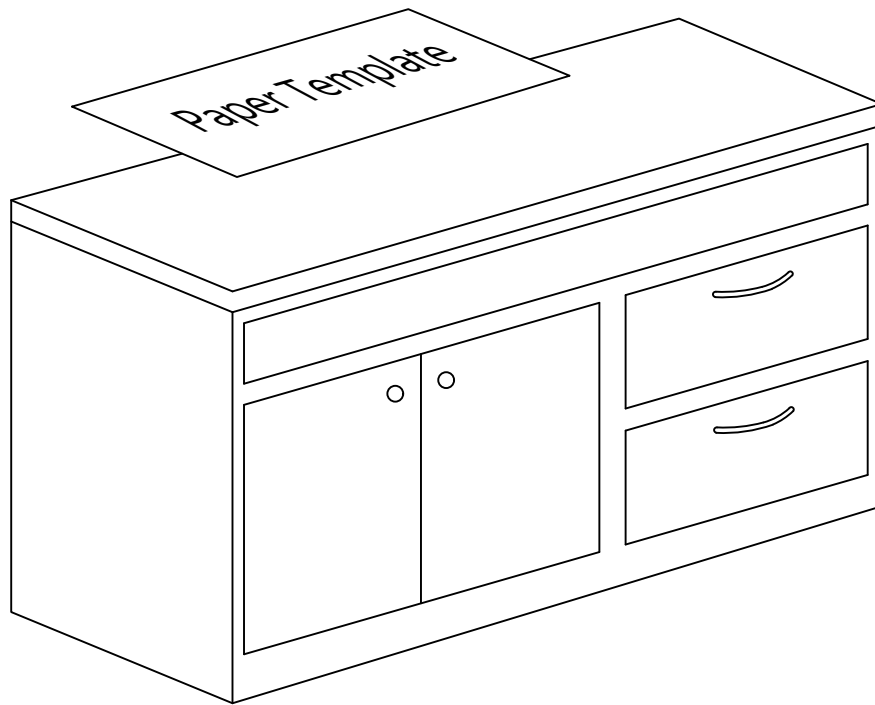


Model #: KHT302-33
 Sink Dimensions: 33" x 22" x 10"
 Min Cabinet Size: 36"
 Matching Grid: KBG-302-33 x 2
 Drain Model #: ST-1 x 2
 Drain Cap #: STC-2 x 2

Step 1. Position Template

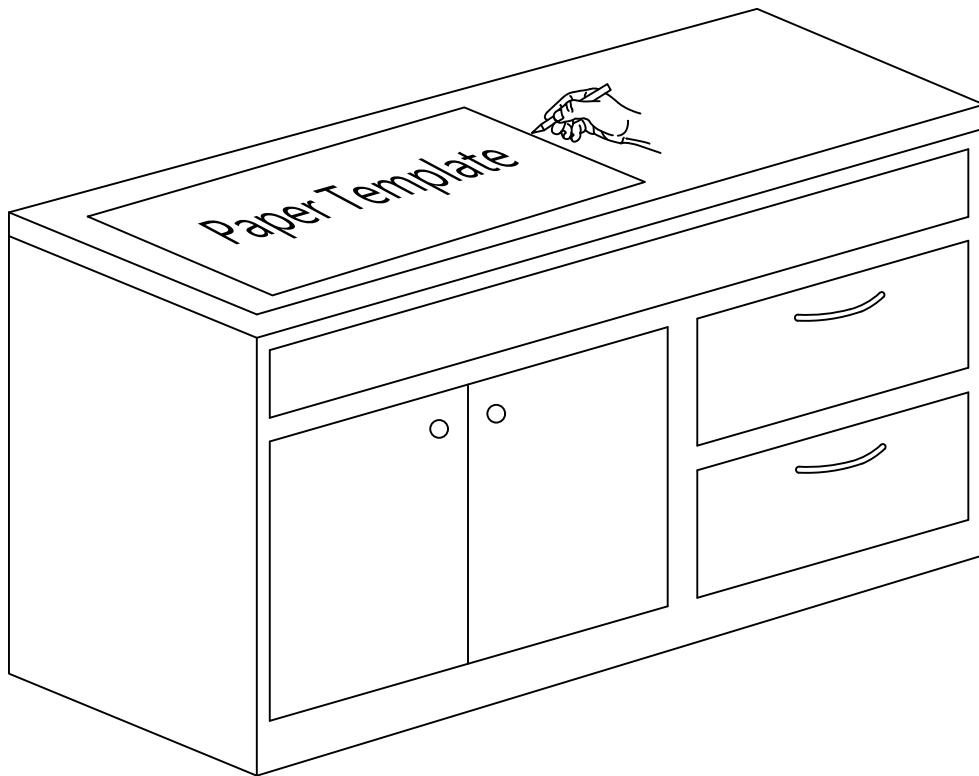
- Check the cut-out template against the actual sink to ensure a proper sized cut-out.
- Place the cut-out template in the desired location on the countertop.

NOTE: Make sure clearance is suitable for backsplash, faucet and plumbing for the sink.



Step 2. Trace Template

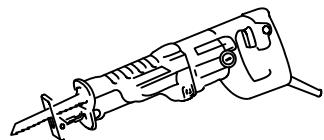
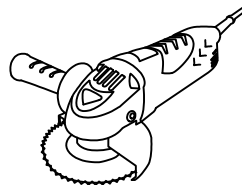
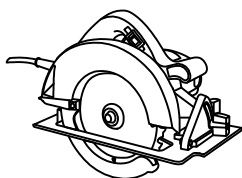
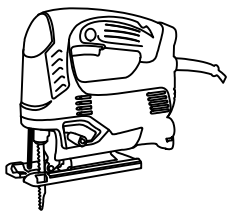
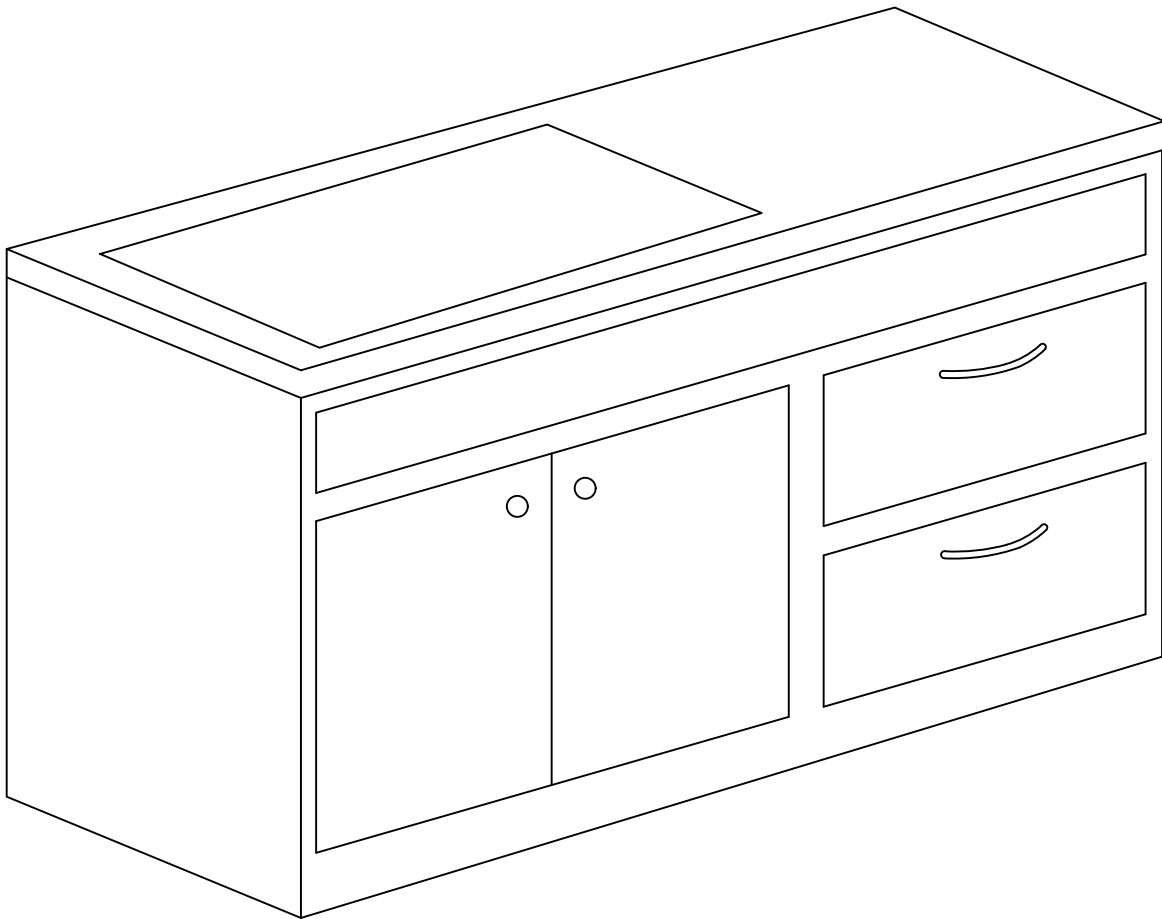
- Trace template on countertop with a pencil.



Step 3. Cut Countertop

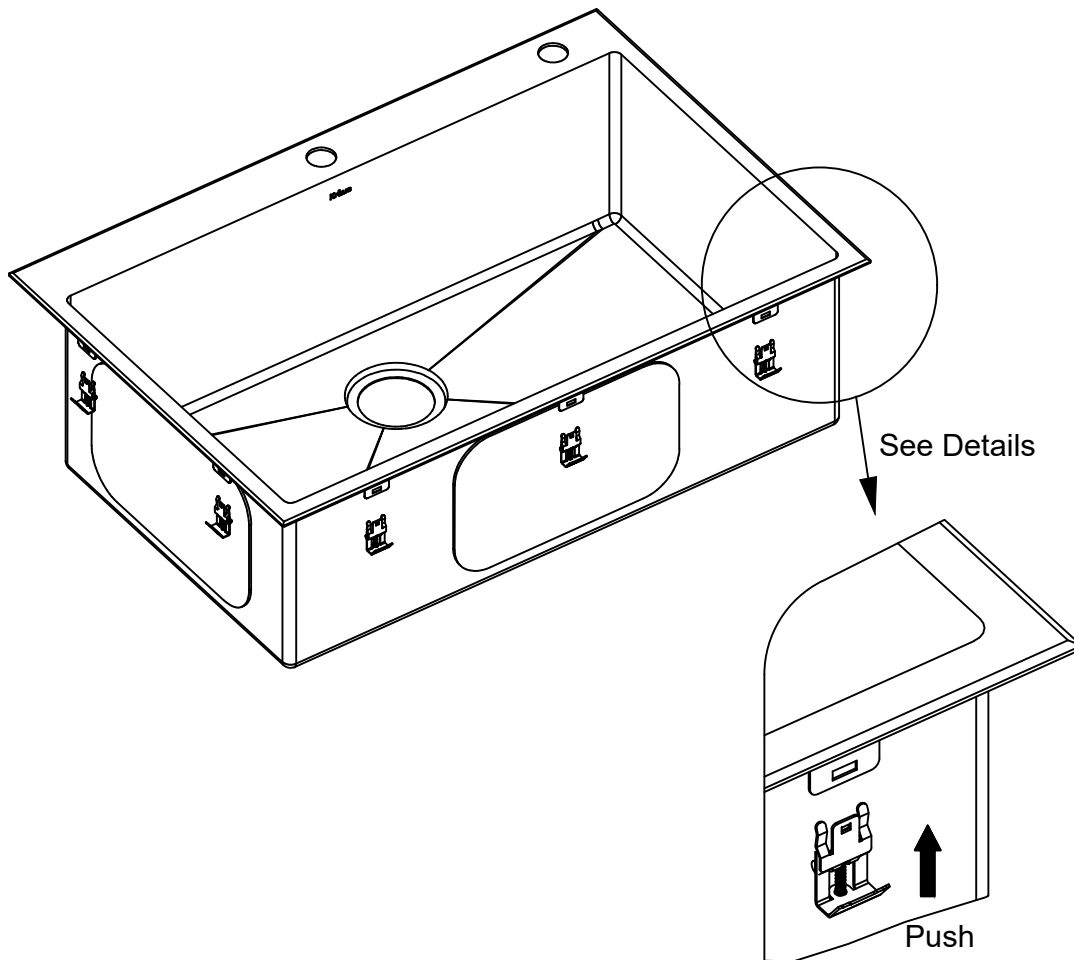
- Cut the opening in the countertop by carefully following the traced line.

NOTE: Please use the appropriate saw that best fits your countertop material.



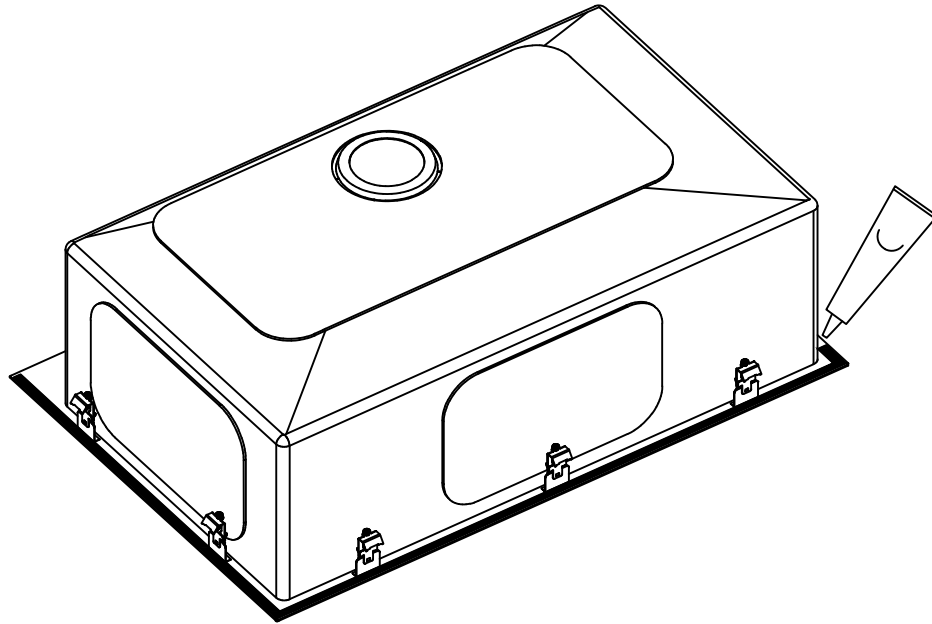
Step 4. Attach Mounting Hardware

- Attach mounting hardware to the prongs protruding from the underside of the sink rim.
- Make sure the hooked side of the mounting clip is facing away from the sink.



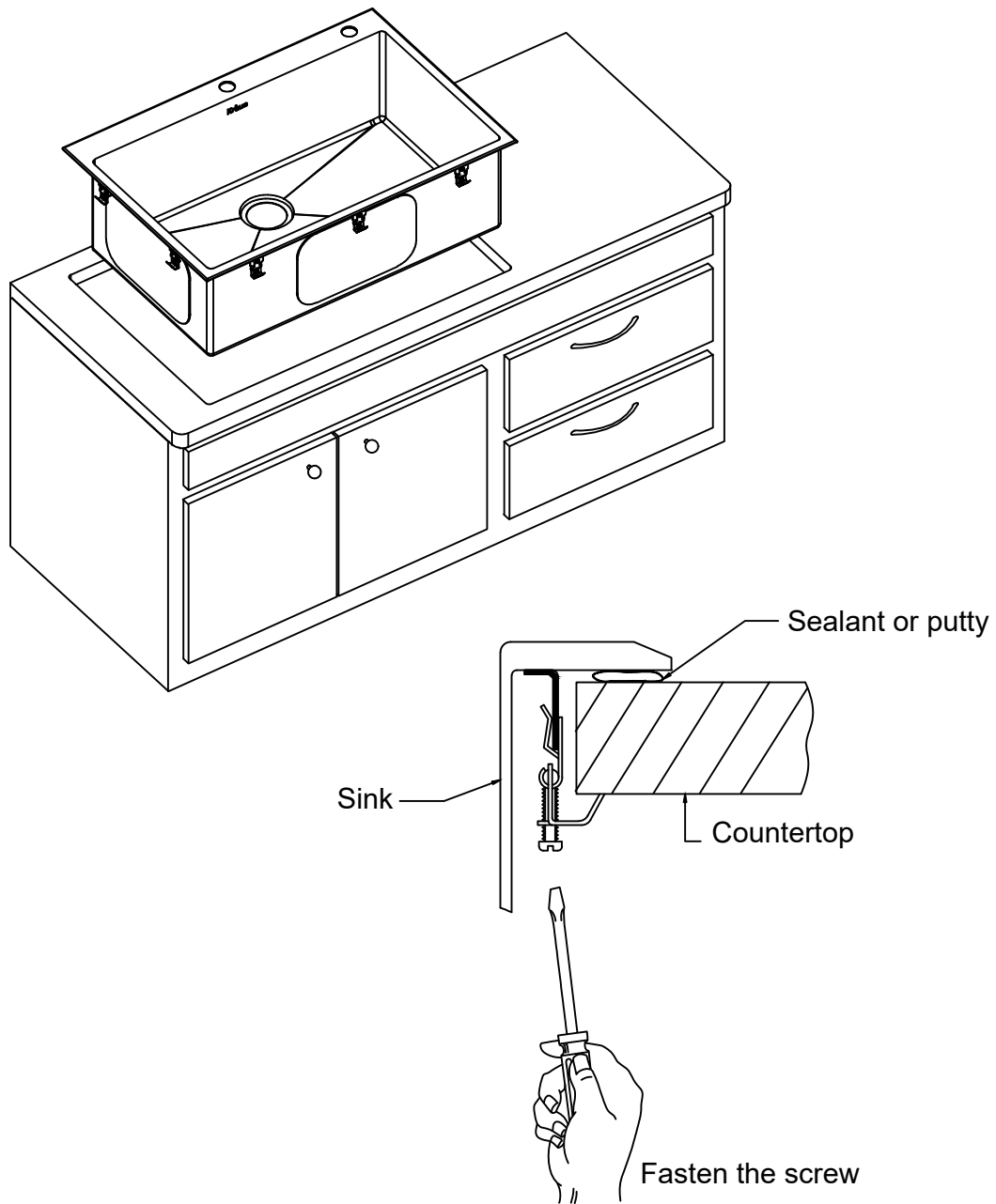
Step 5. Apply Silicone or Plumber's Putty

- Clean and dry the surface around the opening of the sink.
- Turn the unit upside down to apply sealant. Apply silicone-based sealant (not included) underneath the edge of the sink.



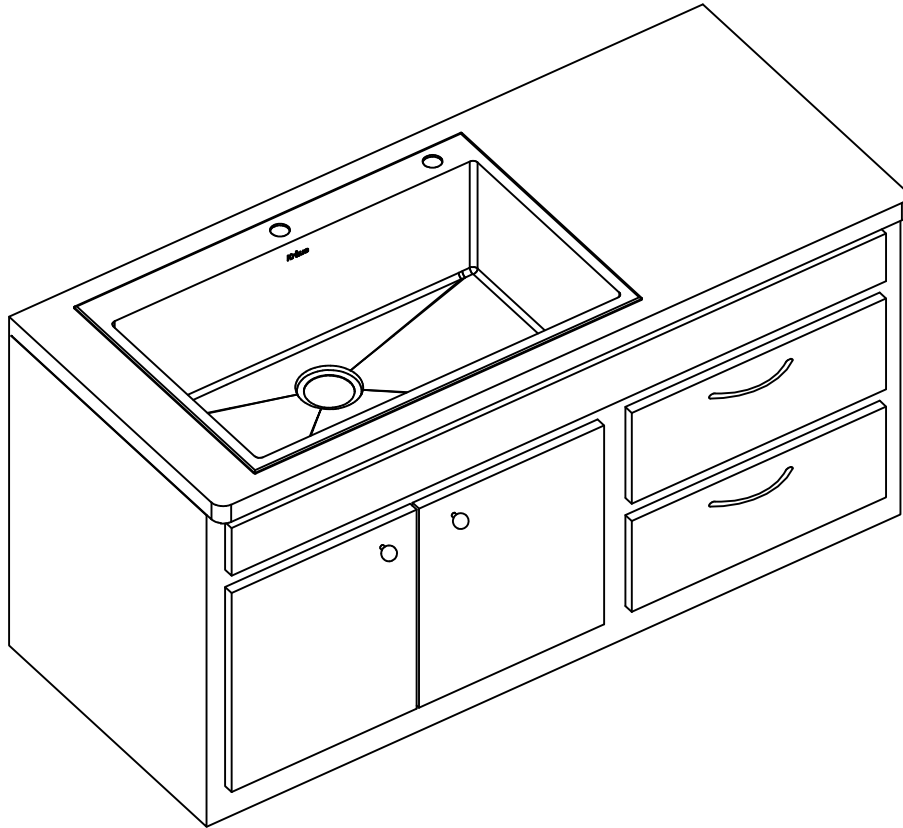
Step 6. Secure Sink to Countertop

- Insert the sink into the opening, check the alignment of the sink to the cutout in the countertop and press firmly.
- Tighten the screws in the front of the sink, followed by the ones in the back and on the sides of the sink.
- Remove excess silicone-based sealant.
- Allow sealant to set for 30-60 minutes.



Step 7. Install Plumbing Fixtures

- Connect drain to sink. Connect trap to drain. Connect water supply connections to faucet according to manufacturer's instructions.
- Run water into sink and check for leaks.
- **Note:** Before installation, please check that the drain kit complies with ASME A112.18.2/CSA B125.2 and with CUPC certification.



Maintenance

Clean your sink on a regular basis with warm soapy water. Rinse the sink after using cleaning products. Wipe the sink surface with a soft cloth to remove any liquid residue. Do not cut food directly on the surface of the sink. Do not leave sharp objects on the surface of the sink for an extended period of time. Do not use abrasive cleaning products, sanding tools, steel wool or bleaching products.

Codes/Standards Applicable



Kitchen Sink Warranty / Garantía del fregadero de cocina

Kraus products are manufactured and tested to the highest quality standards by Kraus USA Inc. ("Kraus").

Kraus extends this warranty to the original purchaser for personal household use of the "Kitchen Sink" in its original location. The warranty is non-transferable.

Kraus warrants the structure and finish of the product to be free from defects in material and workmanship under normal usage for the lifetime of the product. The warranty commences from the initial date of purchase by the owner or trade professional, from an authorized Kraus dealer, through the lifetime of the original owner or end-user.

Any product reported to the authorized dealer or to Kraus as being defective within the warranty period will be repaired or replaced with a product of equal value at the option of Kraus. This warranty extends to the original owner or end-user, and is not transferable to a subsequent owner.

Los productos Kraus han sido fabricados y probados por Kraus USA. Inc. ("Kraus") con los más altos estándares de calidad.

Kraus extiende esta garantía al comprador original para el uso personal doméstico del "Fregadero de cocina" en su ubicación original. La garantía no es transferible.

Kraus garantiza que la estructura y el acabado del producto no presentarán defectos de materiales ni de mano de obra en condiciones normales de uso durante la vida útil del producto. La garantía comienza a partir de la fecha de compra inicial por parte del propietario o distribuidor comercial, en un concesionario autorizado Kraus, durante la vida útil para el propietario original o usuario final.

Cualquier producto que se reporte al distribuidor autorizado o a Kraus como defectuoso dentro del período de garantía se reparará o reemplazará con un producto de igual valor a opción de Kraus. Esta garantía se extiende al propietario original o usuario final y no puede transferirse a un propietario posterior.

Restrictions / Restricciones

This warranty does not cover antediluvian, discontinued, or display products, whether such items are purchased at discount outlets, unauthorized dealers, and/or sold on clearance.

This warranty does not cover instances of negligence, misuse, abuse, improper installation, carelessness, accident, hard water or mineral deposits, exposure to corrosive materials, misapplication, damages caused by improper maintenance, alteration of the product, or failure to follow care or installation instructions enclosed with your product. Avoid using abrasive cleaners such as powders, bleach, ammonia, alcohol, or chlorine. Avoid using abrasive pads, steel wool, or wire brushes, as these will damage and wear down the finish.

This warranty does not apply to Products that have not been installed or operated in accordance with instructions supplied by Kraus and all applicable rules, regulations, and legislation pertaining to such installations.

This warranty does not apply unless the Kraus product is installed by a fully insured and licensed trade professional. Kraus insists that such professionals have experience in the installation of bathroom and kitchen manufactured goods.

This warranty does not cover labor charges or costs of removal and reinstallation of said product. This warranty does not allow recovery of incidental or consequential damages, such as loss of use, delay, property damage, or other consequential damages, and Kraus accepts no liability for such damages.

This warranty does not cover Marine or Outdoor Installation.

This warranty does not cover any free gifts included with purchase.

Except as otherwise provided above, Kraus makes no warranties, expressed or implied, including warranties of merchantability and fitness for a particular purpose, or compliance with any code.

Shipping charges will be covered for the first (1) year of the warranted replacement part or product (HI, AK, and Puerto Rico shipping charges may apply). International shipping fees are not included.

Esta garantía no cubre los productos antediluvianos, discontinuados o de exhibición, ya sea que dichos artículos se compren en puntos de venta de descuento, concesionarios no autorizados y/o se vendan en liquidación.

Esta garantía no cubre casos de negligencia, mal uso, abuso, instalación incorrecta, descuido, accidente, depósitos de agua dura o minerales, exposición a materiales corrosivos, aplicación incorrecta, daños causados por un mantenimiento inadecuado, alteración del producto o incumplimiento de las instrucciones de cuidado o instalación que se incluyen con su producto. Evite el uso de limpiadores abrasivos como polvos, lejía, amoníaco, alcohol o cloro. Evite el uso de almohadillas abrasivas, lana de acero o cepillos de alambre, ya que dañarán y desgastarán el acabado.

Esta garantía no se aplica a los productos que no se hayan instalado u operado de acuerdo con las instrucciones provistas por Kraus y todas las reglas, regulaciones y legislación aplicables relacionadas con dichas instalaciones.

Esta garantía no se aplica a menos que el producto Kraus sea instalado por un distribuidor comercial completamente asegurado y con licencia. Kraus insiste en que dichos profesionales tienen experiencia en la instalación de productos fabricados para baños y cocinas.

Esta garantía no cubre los costos de mano de obra o los costos de extracción y reinstalación de dicho producto. Esta garantía no permite la recuperación de daños incidentales o consecuentes, como pérdida de uso, retraso, daños a la propiedad u otros daños consecuentes; Kraus no acepta responsabilidad por tales daños.

Esta garantía no cubre la instalación marina o al aire libre.

Esta garantía no cubre ningún obsequio incluido con la compra.

Salvo que se indique lo contrario, Kraus no ofrece ninguna garantía, expresa o implícita, incluidas las garantías de comerciabilidad y adecuación para un propósito específico, o el cumplimiento de cualquier código.

Los gastos de envío estarán cubiertos durante el primer (1) año de la pieza o producto de reemplazo garantizado (pueden aplicarse cargos de envío a HI, AK y Puerto Rico). Los gastos de envío internacional no están incluidos.

COMMERCIAL WARRANTY / GARANTÍA COMERCIAL

Kraus extends the above warranty for a period of one (1) year to purchasers of products for industrial, commercial, and business use.

All incidental or consequential damages are specifically excluded. No additional warranties, express or implied, are given, including but not limited to any implied warranty of merchantability or fitness for a particular purpose.

Some states do not allow the exclusion or limitation of incidental or consequential damages or limitations on how long an implied warranty lasts, so the above limitations or exclusions may not apply to you.

This warranty gives you specific legal rights, and you may also have other rights which vary from state to state.

KRAUS USA has the right to change, modify, and/or update the warranty policy at any time. For the latest, most up to date comprehensive warranty, go to www.kraususa.com/warranty

Kraus extiende la garantía anterior por un período de un (1) año a los compradores de productos para uso industrial, comercial y de negocios.

Todos los daños incidentales o consecuentes están específicamente excluidos. No se otorgan garantías adicionales, expresas o implícitas, que incluyen pero no se limitan a cualquier garantía implícita de comerciabilidad o adecuación para un propósito específico.

Algunos estados no permiten la exclusión o limitación de daños incidentales o consecuentes, o limitaciones sobre la duración de una garantía implícita, por lo que las limitaciones o exclusiones anteriores pueden no aplicarse en su caso.

Esta garantía le otorga derechos legales específicos y también puede tener otros derechos que varían de un estado a otro.

KRAUS USA tiene el derecho de cambiar, modificar y/o actualizar la póliza de garantía en cualquier momento. Para obtener la garantía más reciente y detallada, visite www.kraususa.com/warranty

If you are a homeowner please contact a Kraus Customer Service Representative at / Si usted es propietario de una casa, póngase en contacto con un representante de servicio al cliente de Kraus en:

Kraus USA, Inc.
12 Harbor Park Drive
Port Washington, NY 11050
Toll-free 800-775-0703
Customerservice@kraususa.com

If you are a plumbing contractor or trade professional please contact a Kraus Pro Representative at / Si usted es un contratista de plomería o distribuidor comercial, póngase en contacto con un representante profesional de Kraus al:

Kraus USA, Inc.
12 Harbor Park Drive
Port Washington, NY 11050
516-801-8955
Proservice@kraususa.com

If you are an Authorized Partner please contact a Partner Support Representative at / Si usted es un socio autorizado, póngase en contacto con un representante de atención a socios llamando al:

Kraus USA, Inc.
12 Harbor Park Drive
Port Washington, NY 11050
516-801-8954
Partnersupport@kraususa.com

In requesting warranty service, please be ready to provide / Al solicitar el servicio de garantía, por favor tenga a la mano:

1. Proof of purchase. / Comprobante de compra.
2. A description of the problem. / Una descripción del problema.

Download the Kraus Care & Maintenance Guide at / Descargue la Guía de cuidado y mantenimiento de Kraus en:
<http://www.kraususa.com/maintenance>

IMPORTANT

Register Your Kraus Product

Activate Your Warranty

Access Premium Customer Support

Get Product Information

REGISTER TODAY

<http://www.kraususa.com/registration>



Kräus[®]
www.kraususa.com