

Kräus[®]

INSTALLATION MANUAL

Sellette[™] Single Handle Pull-Down Kitchen Faucet

KPF-1680

Congratulations on the purchase of your new Kraus® plumbing fixture!

Please keep the box and packaging materials until your product is completely installed. If you have any questions, require technical assistance or have any problems with your product:



DO NOT RETURN TO STORE

**Please contact our Customer Service Team
1-800-775-0703 / customerservice@kraususa.com**

Have the model number available and retain a copy of your receipt with purchase date for reference.

If for any reason this product does not meet your expectations, please be sure to repack this product in the original box and packaging material to avoid damage during transit.



Prior to Installation:

- Make sure you have all necessary parts by checking the diagram and parts list. If any part is missing or damaged, please contact Kraus® Customer Service at 800-775-0703 for a replacement.
- Read all instructions and safety warnings and ensure you have all tools, parts, and equipment necessary for a safe installation.
- Turn off the hot and cold water supply at the angle stops and turn on the old faucet to release any built up pressure. Remove existing faucet. Clean sink or countertop to remove any debris, plumber's putty, or silicone.
- Flush angle stops to release any debris prior to installation.
- Pre-drilled hole size requirement: 1 3/8" (min) - 1 1/2" (max)
- Max countertop thickness without deck plate: 2 1/4"
- Max countertop thickness with deck plate: 1 3/4"
- 1, 2 or 3 hole installation

Care & Maintenance

To keep the product clean & shining, follow the steps below:

1. Rinse with clean water & dry with a soft cloth
2. Do not clean with soaps, acid, polish, abrasives or harsh cleaners
3. Do not use cloth with a coarse surface
4. Unscrew the aerator and clean when necessary



This installation manual is subject to change without further notice.

Diagram and Parts List

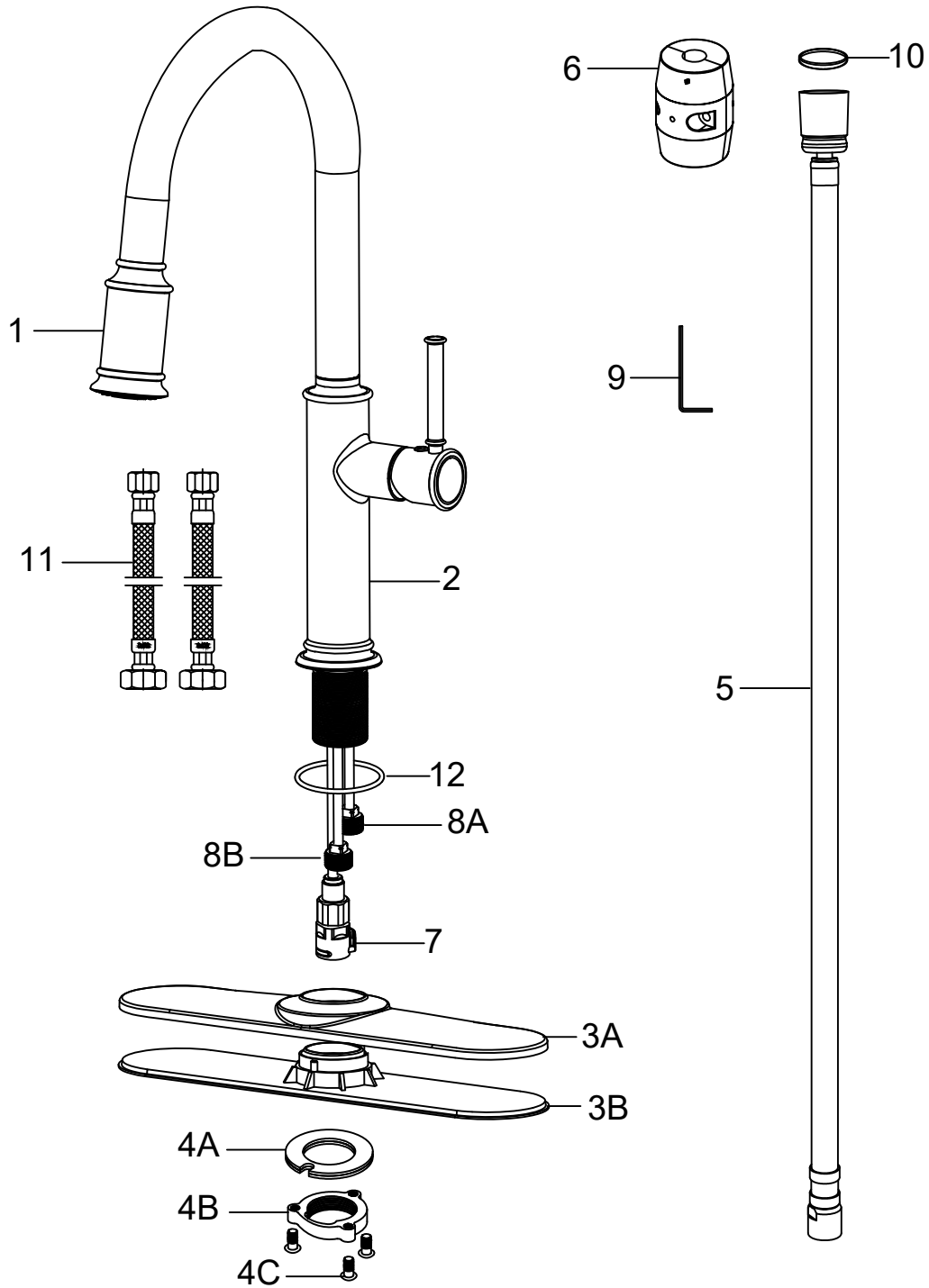


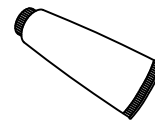
Diagram and Parts List

1. Spray Head
2. Faucet Body
3. Deck Plate Assembly
 - A. Deck Plate
 - B. Base Plate
4. Mounting Hardware
 - A. Rubber & Metal Washer
 - B. Mounting Nut
 - C. Mounting Screws
5. Spray Hose
6. Weight
7. Quick Connector
8. Hot and Cold Copper Lines
 - A. Cold
 - B. Hot
9. Hex Wrench
10. Washer
11. Hot & Cold Waterlines
12. Rubber O-Ring for faucet base

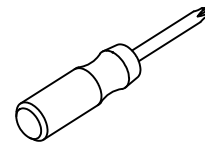
Tools you will need



Adjustable Wrench



Silicone Sealant
(optional)



Phillips Screwdriver



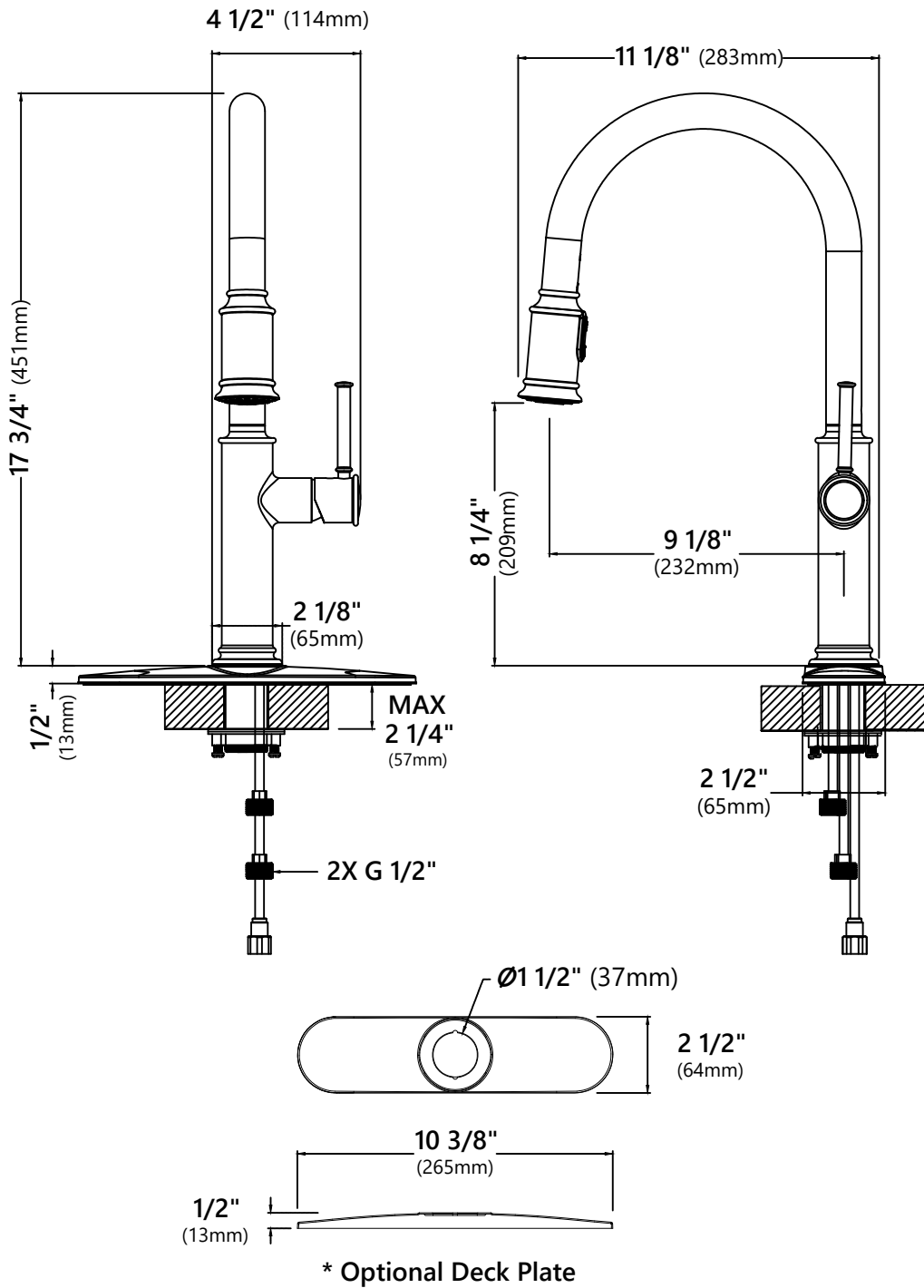
Safety Goggles

For technical assistance or replacement parts, please contact Kraus®

Customer Service and one of our representatives will be happy to help:

Toll-Free: 800-775-0703 or customerservice@kraususa.com

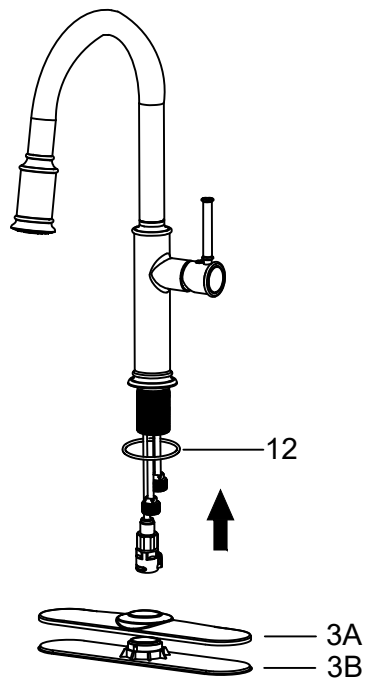
Faucet Installation Procedure



Installer Tip:

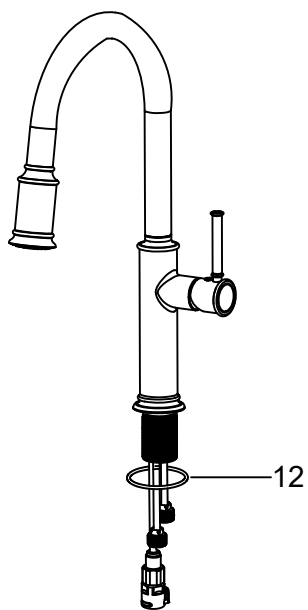
Shut off main water supply before installing new faucet.

Step 1A. Faucet installation - with deck plate



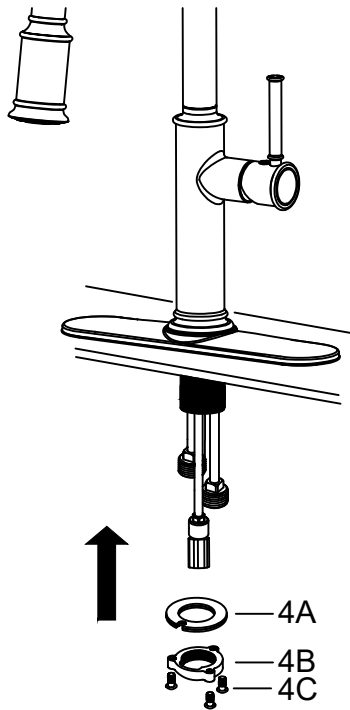
For three-hole installation:
Deck plate (3A), base plate
(3B), and silicone sealant
(optional) are required.

Step 1B. Faucet installation - without deck plate



For single-hole installation:
Deck plate (3A), base plate
(3B) and silicone sealant
are **NOT** required.

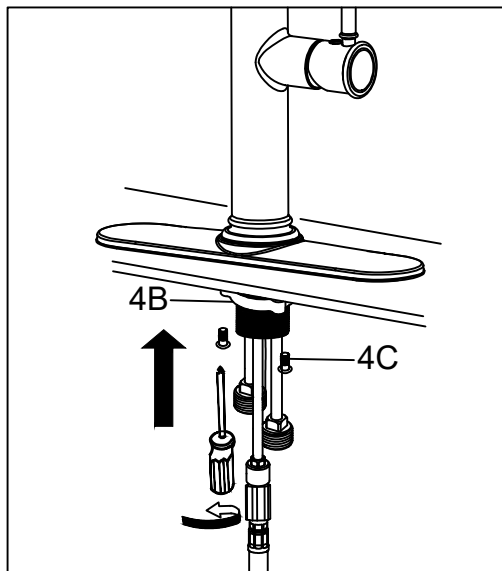
Step 2. Install faucet and mounting hardware



Insert faucet body (2) into hole in countertop or deck plate assembly (3). Install mounting hardware (4A, B & C) from underneath the countertop.

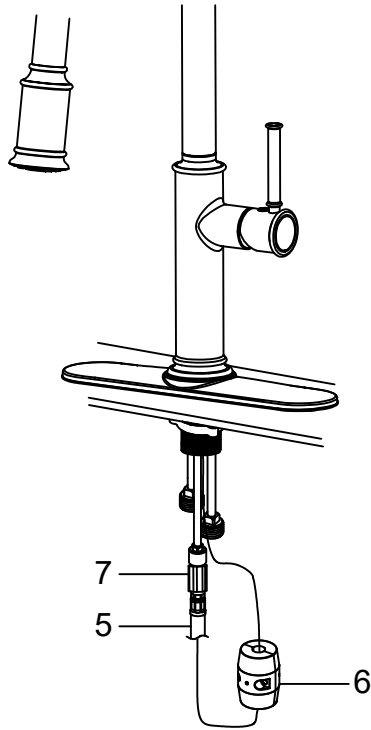
NOTE: Make sure the Rubber O-ring (12) is installed before installing the faucet.

Step 3. Secure mounting hardware



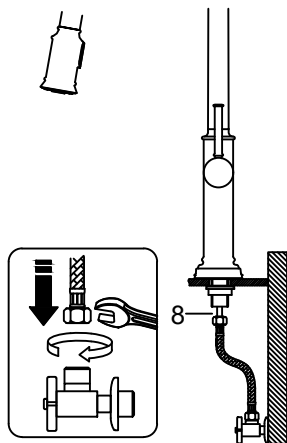
Adjust direction of faucet body (2) so that handle is on right side of faucet. Tighten mounting nut (4B) until snug. Tighten mounting screws (4C) to nut with a Phillips screwdriver until snug.

Step 4. Attach spray hose and counterweight



Connect spray hose (5) to quick connector (7) attached to supply line. Install weight (6) on lowest vertical point on spray hose (5).

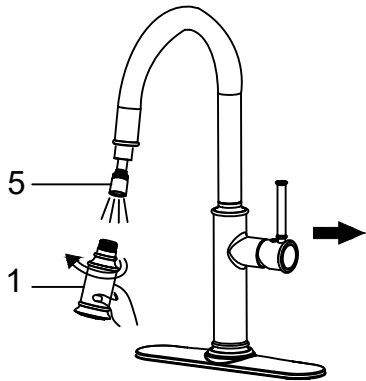
Step 5. Connect waterlines



Connect waterlines to hot and cold copper lines (8). Connect waterlines (11) to angle stops. Tighten both ends of waterlines with a wrench until snug. Turn on hot and cold angle stops and check for leaks.

NOTE: Please make sure filter washers are installed before connecting to the main valve.

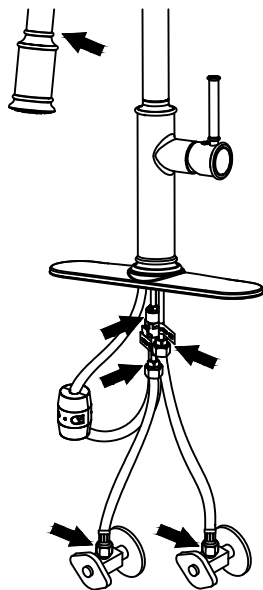
Step 6. Flush spray hose



Remove spray head (1) from spray hose (5). Hold tip of spray hose (5). Turn faucet on and let the water run for 60 seconds to flush any debris.

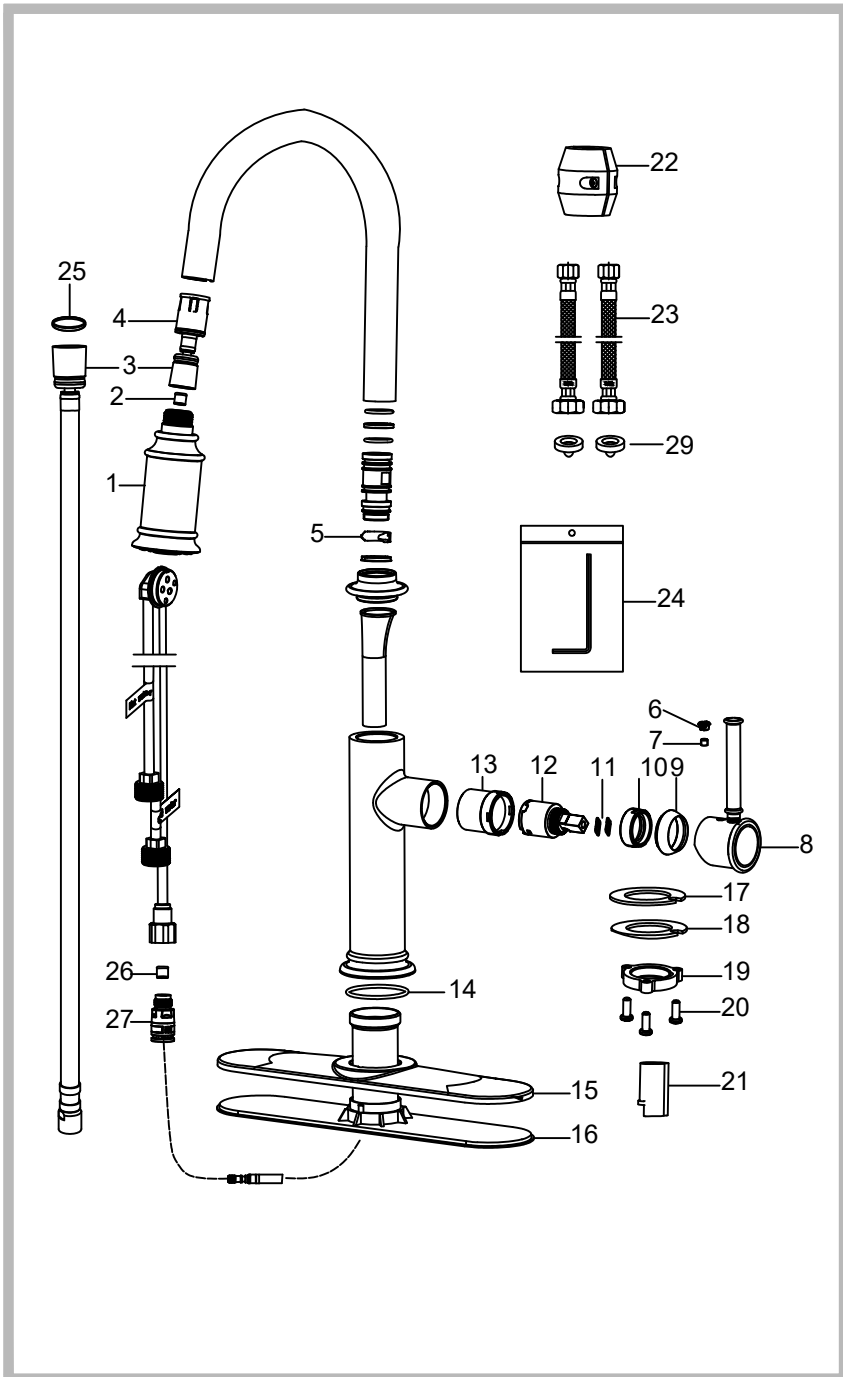
NOTE: Please make sure washer (10) is installed attaching spray head to hose.

Step 7. Check for leaks



Check for leaks at the connections. Retighten if necessary.

Replacement Parts



Replacement Parts List	Finish/Color	Part #
1. Spray Head	CH,SFS,ORB*	KP06092
2. Check Valve		KP06105
3. Spray Hose	CH,SFS,ORB*	KP06098
4. Hose Guide		KP06045
5. Plastic Clip	BL,GR*	KP06072
6. Handle Button	CH,SFS,ORB*	KP06030
7. Set Screw		KP06055
8. Metal Handle	CH,SFS,ORB*	KP06043
9. Cartridge Cover	CH,SFS,ORB*	KP06021
10. Locking Nut		KP06018
11. Washer		KP06069
12. Cartridge		KP06100
13. Cartridge Housing		KP06006
14. Rubber O-Ring		KP06062
15. Deck Plate	CH,SFS,ORB*	KP06010
16. Base Plate	BL,GR*	KP06013
17. Rubber Washer		KP06041
18. Metal Washer		KP06028
19. Mounting Nut		KP06067
20. Mounting Screws		KP06068
21. Protective Sleeve		KP06057
22. Weight		KP06015
23. Hot & Cold Waterlines		KP06094
24. 2.5mm Hex Wrench		KP06050
25. Washer		KP06074
26. Check Valve		KP06104
27. Quick Connector		KP06108
28. Mounting Hardware Kit (includes KP06041, KP06028, KP06067, KP06068)		KP06200
29. Filter Washers		KP06185

*Denotes faucet component color options:

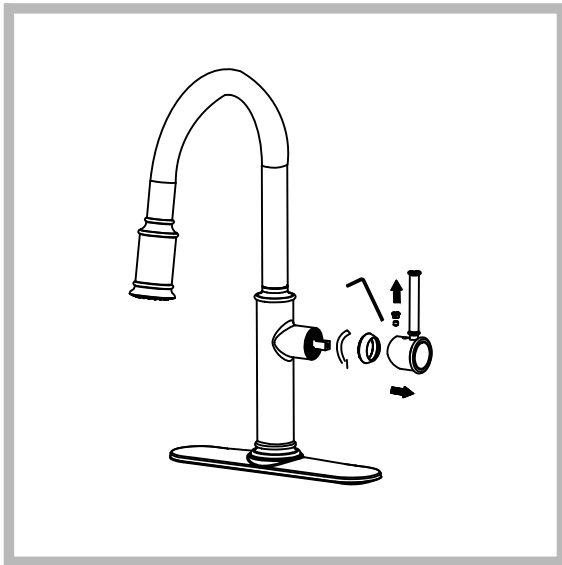
- SFS - Spot Free Stainless Steel
- ORB - Oil Rubbed Bronze
- CH - Chrome
- BL - Black
- GR - Grey

Troubleshooting

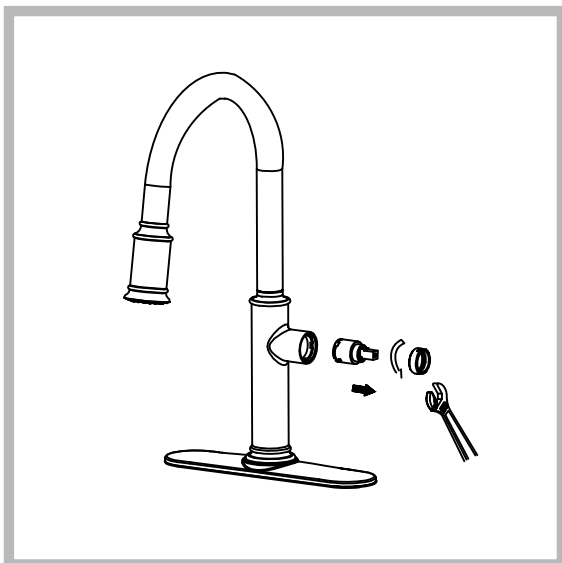
If you have followed the instructions carefully and your faucet still does not work properly, take the following corrective steps:

PROBLEM	CAUSE	ACTION
Leakage under faucet handle	Locking nut has come loose or cartridge needs to be reseated.	Remove button located at top of handle. Loosen set screw with hex wrench. Remove handle and unscrew cartridge cover by hand. Tighten locking nut with an adjustable wrench.
Water does not shut off completely	Cartridge may need to be adjusted or replaced.	Remove button located at top of handle. Loosen set screw with hex wrench. Remove handle and unscrew cartridge cover by hand. Unscrew locking nut with an adjustable wrench. Remove ceramic disc cartridge. Check for cracks, and if O-ring is seated correctly. Reseat cartridge.
Leaking between spray head and the hose	Spray head may be loose or washer is not seated correctly in the hose connection.	Tighten spray head by hand until snug. Make sure washer is seated correctly.
Hose does not retract	Weight may be installed incorrectly.	Readjust weight on hose.
Low flow	Aerator may be clogged	Unscrew aerator with aerator key. Hold tip of spray head and turn on water to flush debris.

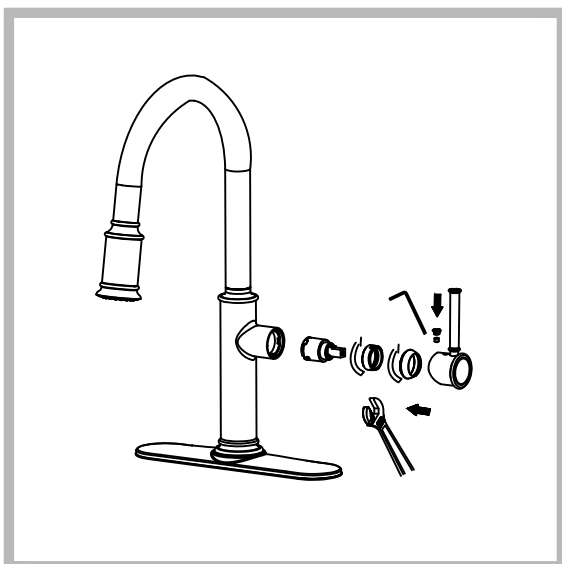
Maintenance - Cartridge Replacement



Step 1: Remove button located at the top of the handle. Loosen the set screw with a hex wrench. Remove the handle and unscrew cartridge cover by hand.



Step 2: Unscrew the locking nut with an adjustable wrench. Remove ceramic disc cartridge.



Step 3: Place the new cartridge in the handle seat. Secure the cartridge with the locking nut and assemble the handle.

Codes/Standards Applicable:



ASME A112.18.1
1.8GPM 6.8L/min maximum

Faucet

Kraus USA Plumbing, LLC ("Kraus") extends this warranty to the original purchaser for personal household use of the Faucet when purchased from an authorized Kraus dealer and in the location of original installation. This warranty is non-transferable.

Kraus warrants the structure and finish of the Faucet to be free from defects in material and workmanship under normal usage for as long as the original purchaser resides in the residence in which the Faucet was first installed.

Kraus warrants the Faucet's sprayhead assembly (including the engine, aerators, structure, restrictors, back flow preventers, sprayer hoses, braided supply line hoses which encompasses nylon, silicon and stainless steel) of the product to be free from defects in material and workmanship under normal usage for a period of one (1) year from the date of purchase.

Kraus warrants the Faucet's cartridge to be free from defects in material and workmanship under normal usage for a period of five (5) years from the date of purchase.

Any product reported to the authorized dealer or to Kraus as being defective within the warranty period will be repaired or replaced with a product of equal value at the option of Kraus.

Commercial Warranty

Kraus USA Plumbing, LLC ("Kraus") warrants its Products for a period of one (1) year to commercial purchasers of Products used in industrial, commercial and business applications.

Care and Cleaning Instructions

Certain cleaning products may cause damage to a Product's finish and use of the following on the Product will void this warranty:

- Abrasive cleaners such as powders, bleach, ammonia, alcohol or chlorine
- Abrasive pads, steel wool or wire brushes

What is Not Covered

This warranty does not cover Products that were discontinued when purchased or display Products, whether such Products were purchased at discount outlets, unauthorized dealers, and/or sold on clearance. This warranty does not cover any free gifts included with purchase.

This warranty does not cover damage resulting from neglect, misuse (including use for an unintended application), abuse, carelessness, accident, hard water or mineral deposits, exposure to corrosive materials, improper maintenance, alteration of the Product, or failure to follow care, cleaning or installation instructions enclosed with your Product. Kraus recommends that all Kraus Products be installed by a fully licensed and insured trade professional with experience in the installation of bathroom and/or kitchen manufactured goods.

How to Make a Warranty Claim

If you are a **consumer purchaser**, please contact a Kraus Customer Service Representative at:

Kraus USA Plumbing, LLC
12 Harbor Park Drive
Port Washington, NY 11050
Toll-free 800-775-0703
Customerservice@kraususa.com

If you are a **plumbing contractor or trade professional**, please contact a Kraus Pro Representative at:

Kraus USA Plumbing, LLC
12 Harbor Park Drive
Port Washington, NY 11050
516-801-8955
Proservice@kraususa.com

If you are an **authorized partner**, please contact a Partner Support Representative at:

Kraus USA Plumbing, LLC
12 Harbor Park Drive
Port Washington, NY 11050
516-801-8954
Partnersupport@kraususa.com

In requesting warranty service, please be ready to provide your proof of purchase and a description of the problem. Shipping charges will be covered for the first (1) year of the warranted replacement part or product (HI, AK, and Puerto Rico shipping charges may apply). International shipping fees are not included.

Limitation on Duration of Implied Warranties

Please note that some states/provinces (including Quebec) do not allow limitations on how long an implied warranty lasts, so the below limitations may not apply to you. TO THE MAXIMUM EXTENT PERMITTED BY APPLICABLE LAW, ANY IMPLIED WARRANTY, INCLUDING THE IMPLIED WARRANTIES OF MERCHANTABILITY AND OF FITNESS FOR A PARTICULAR PURPOSE, IS LIMITED TO THE STATUTORY PERIOD OR THE DURATION OF THIS WARRANTY, WHICHEVER IS SHORTER.

Limitation of Special, Incidental or Consequential Damages

Please note that some states/provinces (including Quebec) do not allow the exclusion or limitation of special, incidental or consequential damages, so the below limitations and exclusions may not apply to you. TO THE MAXIMUM EXTENT PERMITTED BY APPLICABLE LAW, THIS WARRANTY DOES NOT COVER, AND KRAUS USA PLUMBING, LLC SHALL NOT BE LIABLE FOR, ANY SPECIAL, INCIDENTAL OR CONSEQUENTIAL DAMAGES (INCLUDING LABOR CHARGES TO REPAIR, REPLACE, INSTALL OR REMOVE THIS PRODUCT), WHETHER ARISING OUT OF BREACH OF ANY EXPRESS OR IMPLIED WARRANTY, BREACH OF CONTRACT, TORT, OR OTHERWISE.

This warranty gives you specific legal rights, and you may also have other rights which vary from state/province to state/province.

Download the Kraus Care & Maintenance Guide at:
<http://www.kraususa.com/maintenance>

IMPORTANT

Register Your Kraus Product

Activate Your Warranty

Access Premium Customer Support

Get Product Information

REGISTER TODAY

<http://www.kraususa.com/registration>



Kräus[®]
www.kraususa.com