

KGF1-30

30 Inch Single Bowl Granite Farmhouse Apron Kitchen Sink

Kräus[®]

SPECIFICATION SHEET

Sink Dimensions

Overall Dimensions: 29 3/4" x 20 3/4"

Bowl Dimensions: 27" x 16"

Sink Depth: 9 3/8"

Features

- Quartz Composite Construction
- Apron Front Single Bowl Sink
- Required Minimum Cabinet Size: 33" Left to Right, 24" Front to Back
- Rear Off-Set Drain
- 3 1/2" Drain Opening

Accessories Included

- Cutting Board KCB-WS301
- **Optional Accessories Sold Separately**
 - Kitchen Grid: KBG-GR2514
 - Kitchen Sink Strainers: PST1, ST-2, ST-4
 - Kitchen Rolling Mat: KRM-11
 - Kitchen Cutting Board: KCB-WS103

CODES/STANDARDS:

Product Certification

cUPC

Available Colors

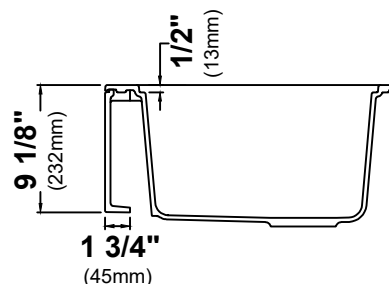
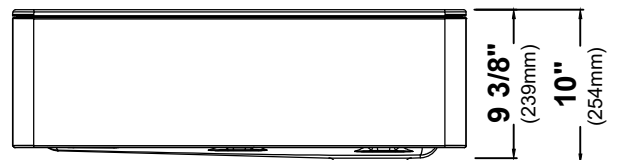
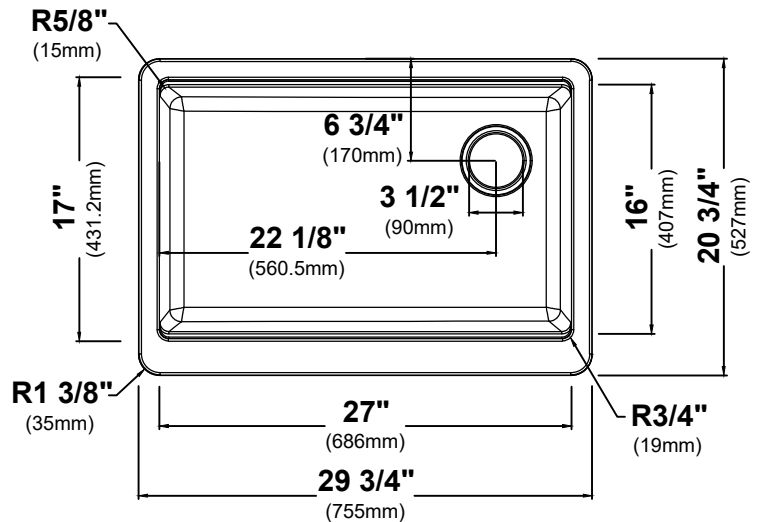
- Black
- White
- Brown
- Charcoal

Note: Although Kraus granite and quartz composite sinks are highly heat resistant, placing hot items right from the stove or oven directly into the sink may cause surface discoloration. Consider using a trivet or rolling mat for extremely hot items to avoid potential heat damage.

Warranty

Kraus Limited Lifetime Warranty

see website for details www.kraususa.com



Kraus USA Customer Service

1.800.775.0703 | customerservice@kraususa.com

REV. July 9, 2020