

# **Kräus<sup>®</sup>**

INSTALLATION MANUAL

## **Kohra™ Two Handle 8-Inch Widespread Basin Bathroom Faucet**

**FUS-14003**

## **Congratulations on the purchase of your new Kraus® plumbing fixture!**

Please keep the box and packaging materials until your product is completely installed. If you have any questions, require technical assistance or have any problems with your product:



**DO NOT RETURN TO STORE**

**Please contact our Customer Service Team  
1-800-775-0703 / [customerservice@kraususa.com](mailto:customerservice@kraususa.com)**

Have the model number available and retain a copy of your receipt with purchase date for reference.

If for any reason this product does not meet your expectations, please be sure to repack this product in the original box and packaging material to avoid damage during transit.



### Prior to Installation:

- Make sure you have all necessary parts by checking the diagram and parts list. If any part is missing or damaged, please contact Kraus<sup>®</sup> Customer Service at 800-775-0703 for a replacement.
- Read all instructions and safety warnings and ensure you have all tools, parts, and equipment necessary for a safe installation.
- Turn off the hot and cold water supply at the angle stops and turn on the old faucet to release any built up pressure. Remove existing faucet.
- Pre-drilled hole size requirement: 1 3/8" (min)
- Max countertop thickness: 1 7/8"

For technical assistance or replacement parts, please contact Kraus Customer Service and one of our representatives will be happy to help:  
Toll-Free: 800-775-0703 or [Customerservice@kraususa.com](mailto:Customerservice@kraususa.com)

### Tools Required



### Care & Maintenance

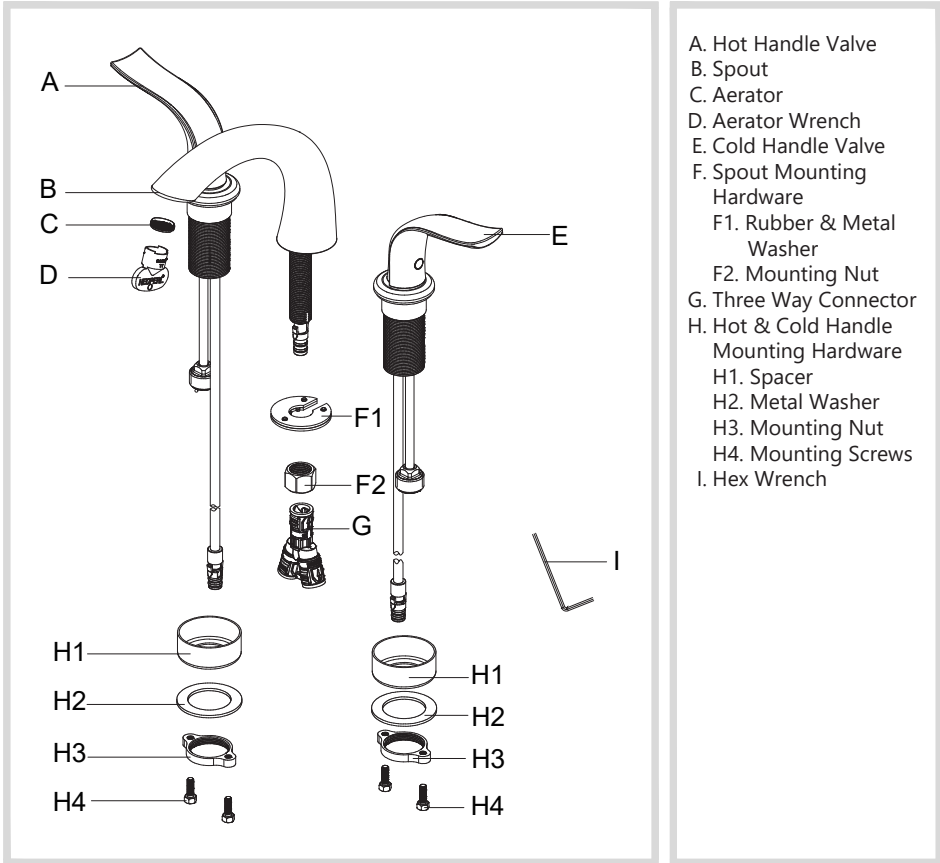
\* To keep the product clean & shining, follow the steps below:

1. Rinse with clean water & dry with a soft cloth
2. Do not clean with soaps, acid, polish, abrasives or harsh cleaners
3. Do not use cloth with a coarse surface
4. Unscrew the aerator and clean when necessary

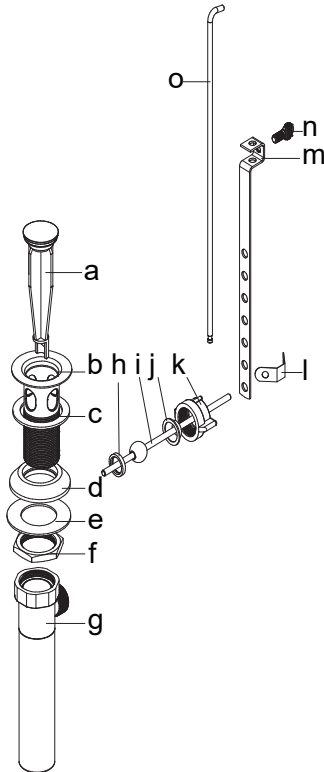
\* This installation manual is subject to change without further notice.



## Diagram and Parts List

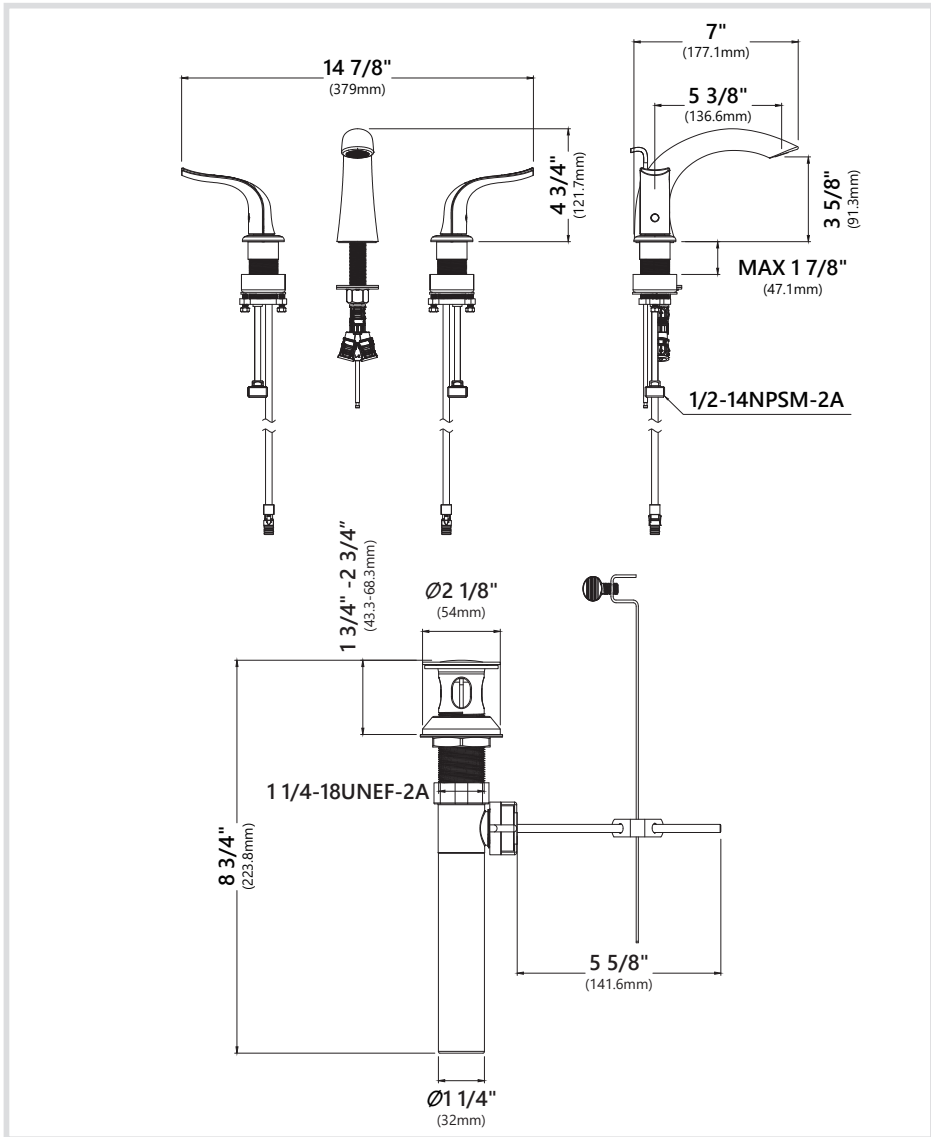


## Diagram and Parts List



- a. Waste Stopper
- b. Drain Flange
- c. Rubber Washer
- d. Concave Washer
- e. Metal Washer
- f. Mounting Nut
- g. Tail Pipe
- h. Top Hat Washer
- i. Drain Off Pole
- j. Washer
- k. Retaining Nut
- l. Clip
- m. Extender Rod
- n. Thumb Screw
- o. Lift Rod

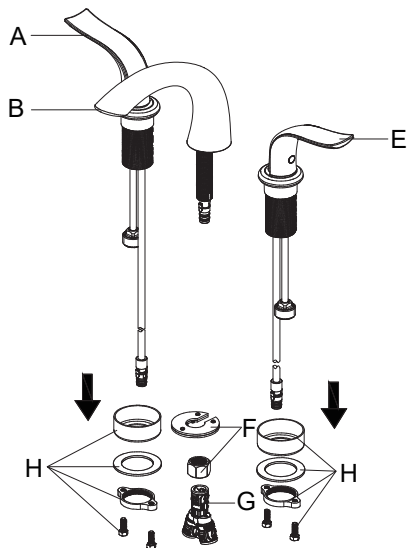
## Faucet Dimensions



### Installer Tip:

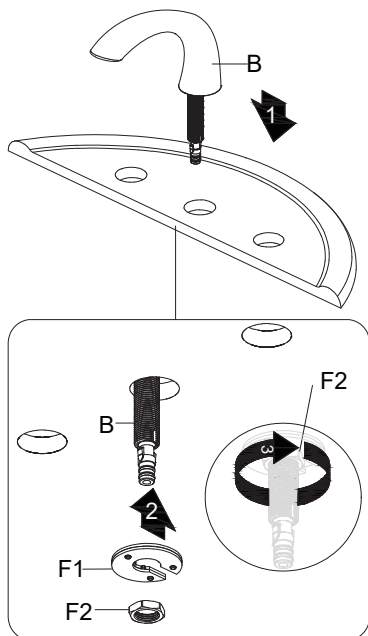
Shut off main water supply before installing new faucet.

## Step 1: Remove mounting hardware



Remove the three way connector (G) and mounting hardware (F) from the spout (B). Remove mounting hardware (H) from the hot and cold valves (A&E).

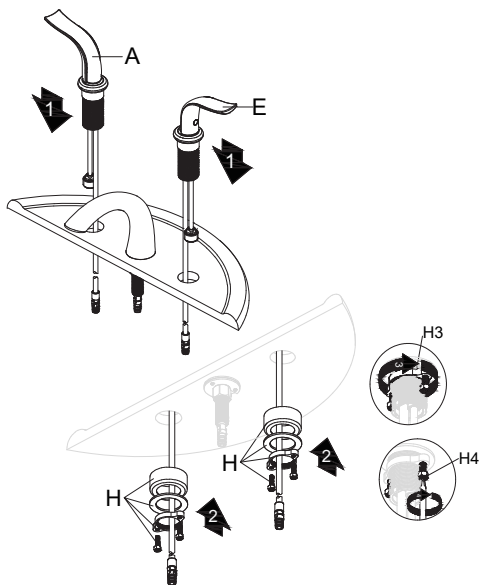
## Step 2: Installing the faucet assembly



Insert the spout (B) through the hole in the sink or countertop. Secure the spout with the mounting nut (F2) with an adjustable wrench.

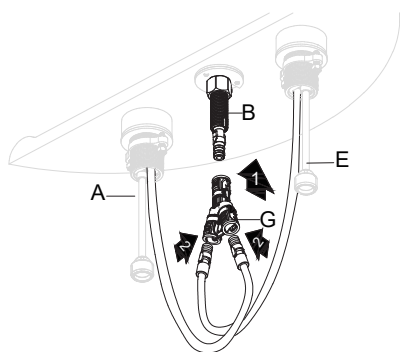
**Installer Tip:** Make sure slot opening of u-washer (F1) faces toward rear of sink.

### Step 3: Installing handles



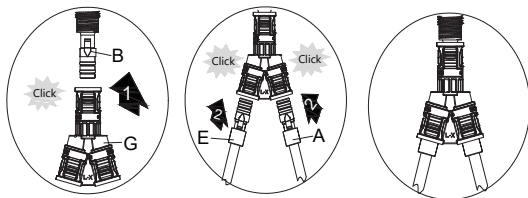
Insert hot & cold handle valves (A&E) through the holes in the sink or countertop. Attach hot & cold mounting hardware (H). Secure with adjustable wrench and Phillips head screwdriver.

### Step 4: Attach connector

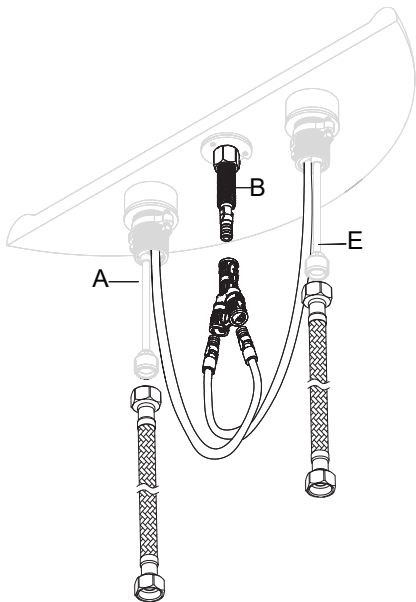


Attach the three way connector (G) to the spout (B). Attach the supply lines of the hot & cold valves (A&E) to the three way connector (G). Push until you hear a click.

**Installer Tip:** Pull supply lines moderately to ensure connection is secure.



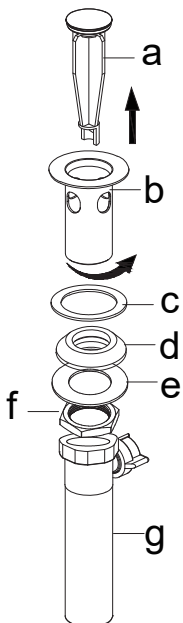
## Step 5: Connect waterlines



Attach waterlines (not included) to valves (A&E) and angle stops. Tighten until snug. Turn on angle stops and check for leaks. (DO NOT TURN FAUCET ON)

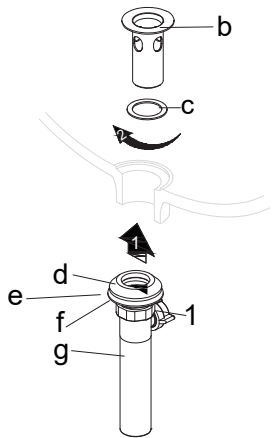
**Installer Tip:** Recommended waterlines: 3/8 in. OD x 1/2 in IPS

## Step 6: Install drain

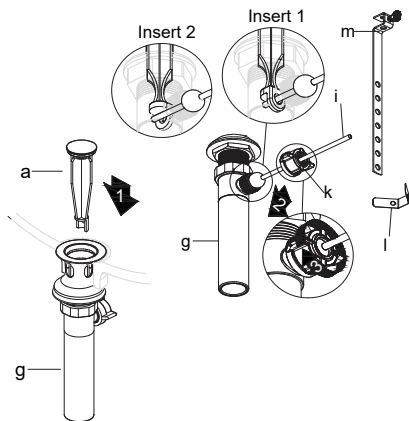


Remove the waste stopper (a) and drain flange (b) from the tail pipe (g). Remove the concave washer (d), metal washer (e) and mounting nut (f) from the drain flange (b).

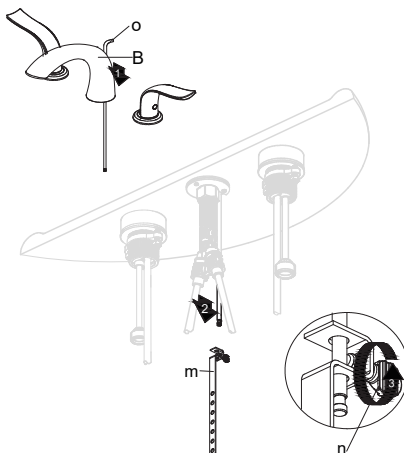
## Step 6: Install drain - continued



Insert the drain flange (b) through the drain hole with the rubber washer (c) attached. From underneath, place the concave (d) and metal (e) washer on the drain flange. Secure with the mounting nut (f). Thread the tail pipe (g) onto the drain (b) and hand tighten.



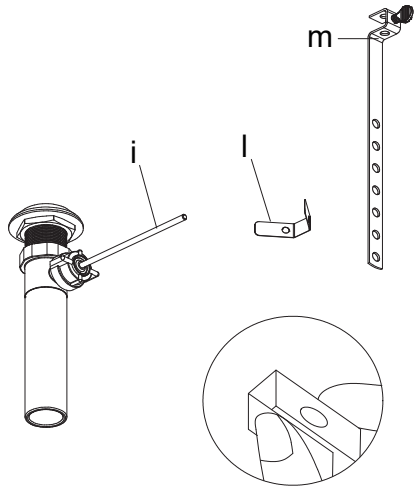
Insert the waste stopper (a) into the drain flange. Remove the extender rod (m) and clip (l) from the drain off pole (i). Remove the nut (k). Insert the drain off pole (i) into the drain pole opening of the tailpipe (g). See Insert 1. Secure the nut (k) to the drain off pole opening of the tailpipe (g).



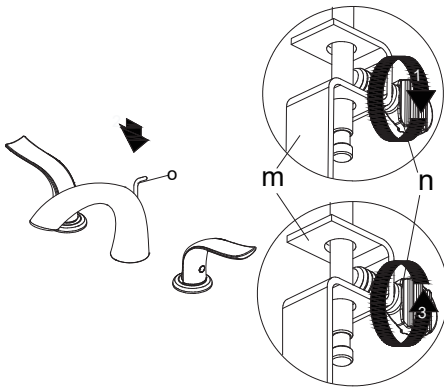
Insert the lift rod (o) through the spout (B) and connect with the extender rod (m). Tighten the thumb screw (n).

## Step 6: Install drain - continued

---



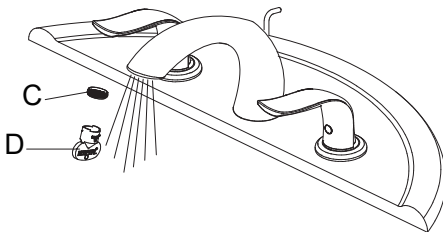
Attach the drain off pole (i) to the extender rod (m) with the clip (l).



Loosen the thumb screw (n) on the extender rod (m). Push down on the lift rod (o) until the stopper is in the open position. Retighten the thumb screw (n).

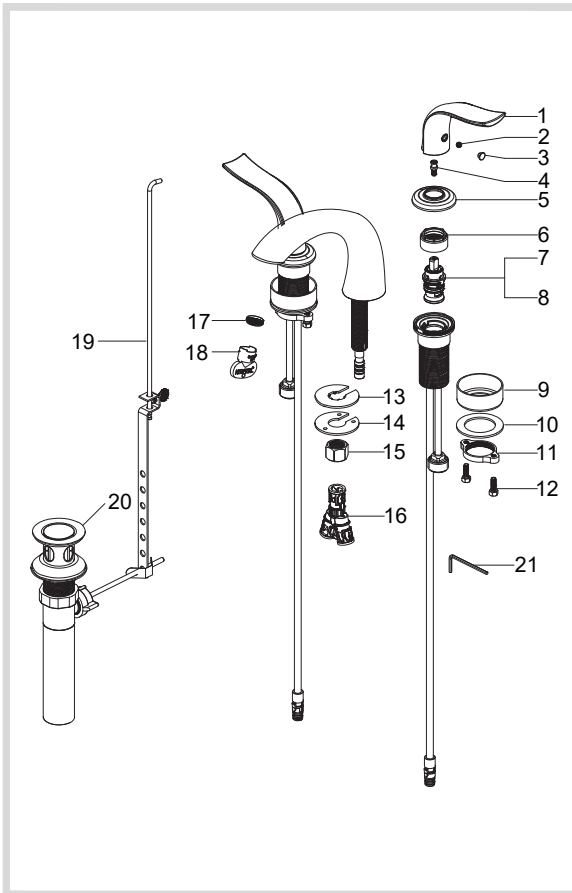
## Step 7: Flush faucet

---



Remove the aerator (C) with the aerator wrench (D). Turn water on for 1 minute to remove any debris. Reassemble aerator (C).

## Replacement Parts



Replacement Part	Finish	Part No.
1. Handle	SFS*	KP27000
2. Set Screw		KP27001
3. Cover Button	GR*	KP27002
4. Screw		KP27003
5. Handle Cover	SFS*	KP27004
6. Lock Nut		KP27005
7. Cartridge H		KP27006
8. Cartridge C		KP27007
9. Spacer		KP27008
10. Metal Washer		KP27009
11. Mounting Nut		KP27010
12. Mounting Screws		KP27011
13. Rubber U-Washer		KP27012
14. Metal U-Washer		KP27013
15. Spout Nut		KP27014
16. Three Way Connector		KP27015
17. Aerator		KP27016
18. Aerator Key		KP27017
19. Lift Rod	SFS*	KP27018
20. Drain	SFS*	KP27019
21. Hex Wrench		KP27020

\*Denotes faucet component color options:  
 SFS - Spot Free Stainless Steel  
 GR - Grey

## Troubleshooting

If you have followed the instructions carefully and your faucet still does not work properly, take the following corrective steps:

PROBLEM	CAUSE	ACTION
Leakage under faucet handle	Hot or cold cartridge (7 or 8) may be loose.	Remove cover button (3). Loosen set screw (2) with hex wrench (21). Remove H or C handle (1). Unscrew handle cover (5) by hand. Tighten lock nut (6) with adjustable wrench.
Aerator drips or has inconsistent water flow pattern	Aerator (17) is dirty or not seated properly.	Unscrew aerator (17) with aerator key (18) and clean out debris.
Water will not shut off completely	Cartridge (7 or 8) may need to be adjusted or replaced.	Remove cover button (3). Loosen set screw (2) with hex wrench (21). Remove H or C handle (1). Unscrew handle cover (5) by hand. Unscrew lock nut (6) with and adjustable wrench. Remove cartridge (7 or 8) and check for cracks.
Drain is leaking	Washers may be compromised or installed incorrectly.	Check washers to make sure they are installed correctly and not cracked.
There is a low flow of water	The screen filters in the hose connectors are dirty.	Turn off the water supply at the water valves and unscrew the hose connectors from water supply lines. Clean the screens in the water lines with hot water, removing any debris or calcium build up.

## Codes/Standards Applicable:



NSF/ANSI 61



ASME A112.18.1  
1.2GPM 4.5L/min maximum

### Faucet - Lifetime Limited Warranty

Kraus® USA Plumbing, LLC ("Kraus") extends this warranty to the original purchaser for personal household use of the Faucet when purchased from an authorized Kraus dealer and in the location of original installation. This warranty is non-transferable.

Kraus warrants the structure and finish of the Faucet to be free from defects in material and workmanship under normal usage for as long as the original purchaser resides in the residence in which the Faucet was first installed.

Kraus warrants the Faucet's sprayhead assembly (including the engine, aerators, structure, restrictors, back flow preventers, sprayer hoses, braided supply line hoses which encompasses nylon, silicon and stainless steel) of the product to be free from defects in material and workmanship under normal usage for a period of one (1) year from the date of purchase.

Kraus warrants the Faucet's cartridge to be free from defects in material and workmanship under normal usage for a period of five (5) years from the date of purchase.

Any product reported to the authorized dealer or to Kraus as being defective within the warranty period will be repaired or replaced with a product of equal value at the option of Kraus.

### Commercial Warranty

Kraus USA Plumbing, LLC ("Kraus") warrants its Products for a period of one (1) year to commercial purchasers of Products used in industrial, commercial and business applications.

### Care and Cleaning Instructions

Certain cleaning products may cause damage to a Product's finish and use of the following on the Product will void this warranty:

- Abrasive cleaners such as powders, bleach, ammonia, alcohol or chlorine
- Abrasive pads, steel wool or wire brushes

### What is Not Covered

This warranty does not cover Products that were discontinued when purchased or display Products, whether such Products were purchased at discount outlets, unauthorized dealers, and/or sold on clearance. This warranty does not cover any free gifts included with purchase.

This warranty does not cover damage resulting from neglect, misuse (including use for an unintended application), abuse, carelessness, accident, hard water or mineral deposits, exposure to corrosive materials, improper maintenance, alteration of the Product, or failure to follow care, cleaning or installation instructions enclosed with your Product. Kraus recommends that all Kraus Products be installed by a fully licensed and insured trade professional with experience in the installation of bathroom and/or kitchen manufactured goods.

### How to Make a Warranty Claim

If you are a **consumer purchaser**, please contact a Kraus® Customer Service Representative at:  
Kraus USA Plumbing, LLC  
12 Harbor Park Drive  
Port Washington, NY 11050  
Toll-free 800-775-0703  
Customerservice@kraususa.com

If you are a **plumbing contractor or trade professional**, please contact a Kraus Pro Representative at:  
Kraus USA Plumbing, LLC  
12 Harbor Park Drive  
Port Washington, NY 11050  
516-801-8955  
Proservice@kraususa.com

If you are an **authorized partner**, please contact a Partner Support Representative at:  
Kraus USA Plumbing, LLC  
12 Harbor Park Drive  
Port Washington, NY 11050  
516-801-8954  
Partnersupport@kraususa.com

In requesting warranty service, please be ready to provide your proof of purchase and a description of the problem. Shipping charges will be covered for the first (1) year of the warranted replacement part or product (HI, AK, and Puerto Rico shipping charges may apply). International shipping fees are not included.

### Limitation on Duration of Implied Warranties

Please note that some states/provinces (including Quebec) do not allow limitations on how long an implied warranty lasts, so the below limitations may not apply to you. TO THE MAXIMUM EXTENT PERMITTED BY APPLICABLE LAW, ANY IMPLIED WARRANTY, INCLUDING THE IMPLIED WARRANTIES OF MERCHANTABILITY AND OF FITNESS FOR A PARTICULAR PURPOSE, IS LIMITED TO THE STATUTORY PERIOD OR THE DURATION OF THIS WARRANTY, WHICHEVER IS SHORTER.

### Limitation of Special, Incidental or Consequential Damages

Please note that some states/provinces (including Quebec) do not allow the exclusion or limitation of special, incidental or consequential damages, so the below limitations and exclusions may not apply to you. TO THE MAXIMUM EXTENT PERMITTED BY APPLICABLE LAW, THIS WARRANTY DOES NOT COVER, AND KRAUS USA PLUMBING, LLC SHALL NOT BE LIABLE FOR, ANY SPECIAL, INCIDENTAL OR CONSEQUENTIAL DAMAGES (INCLUDING LABOR CHARGES TO REPAIR, REPLACE, INSTALL OR REMOVE THIS PRODUCT), WHETHER ARISING OUT OF BREACH OF ANY EXPRESS OR IMPLIED WARRANTY, BREACH OF CONTRACT, TORT, OR OTHERWISE.

This warranty gives you specific legal rights, and you may also have other rights which vary from state/province to state/province.

**Download the Kraus Care & Maintenance Guide at:**  
<http://www.kraususa.com/maintenance>

# IMPORTANT

## Register Your Kraus Product

**Activate** Your Warranty

**Access** Premium Customer Support

**Get** Product Information

**REGISTER TODAY**

<http://www.kraususa.com/registration>



**Kräus**<sup>®</sup>  
www.kraususa.com