

Kräus[®]

INSTALLATION GUIDE

Novus Single Lever Basin Faucet

KEF-15401

Congratulations on the purchase of your new Kraus plumbing fixture!

Please keep the box and packaging materials until your product is completely installed. If you have any questions, require technical assistance, or have any problems with your product:



DO NOT RETURN TO STORE

Please contact our Customer Service Team

1-800-775-0703 / customerservice@kraususa.com

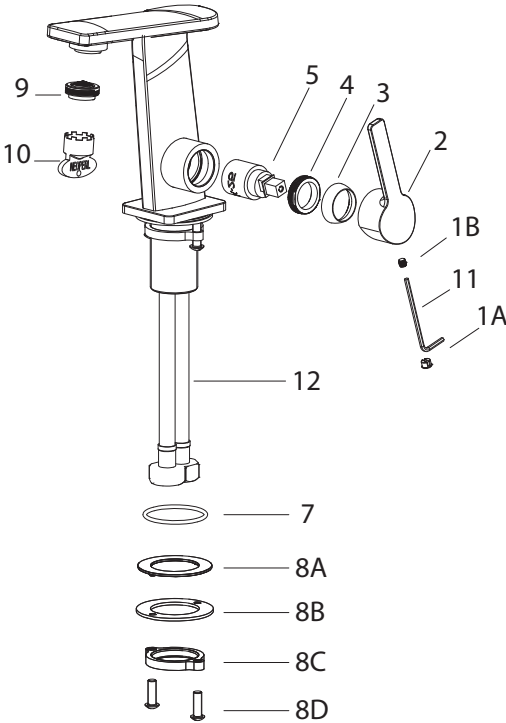
Have the model number available, and retain a copy of your receipt with purchase date for reference.

If for any reason this product does not meet your expectations, please be sure to repack this product in the original box and packaging material to avoid damage during transit.

Prior to Installation:

- Make sure you have all necessary parts by checking the diagram and parts list. If any part is missing or damaged, please contact Kraus Customer Service at 800-775-0703 for a replacement
- Turn off the hot and cold water lines at the angle stops and turn on the old faucet to release any built-up pressure
- Pre-drilled countertop hole size requirement: 1-3/8" (min)
- Max countertop thickness: 1-3/8"

Replacement Parts

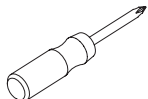


1. (A) Index Button
(B) Set Screw
2. Metal Handle
3. Cartridge Cover
4. Locking Nut
5. Cartridge
6. Faucet Body
7. Rubber Washer
8. Mounting Hardware
(A) Rubber Washer
(B) Metal Washer
(C) Mounting Nut
(D) Mounting Screws
9. Aerator
10. Aerator Key
11. Hex Wrench
12. Hot & Cold Waterlines

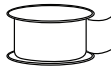
Tools you will need:



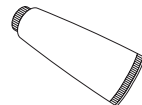
Wrench



Phillips Screwdriver



Pipe Tape

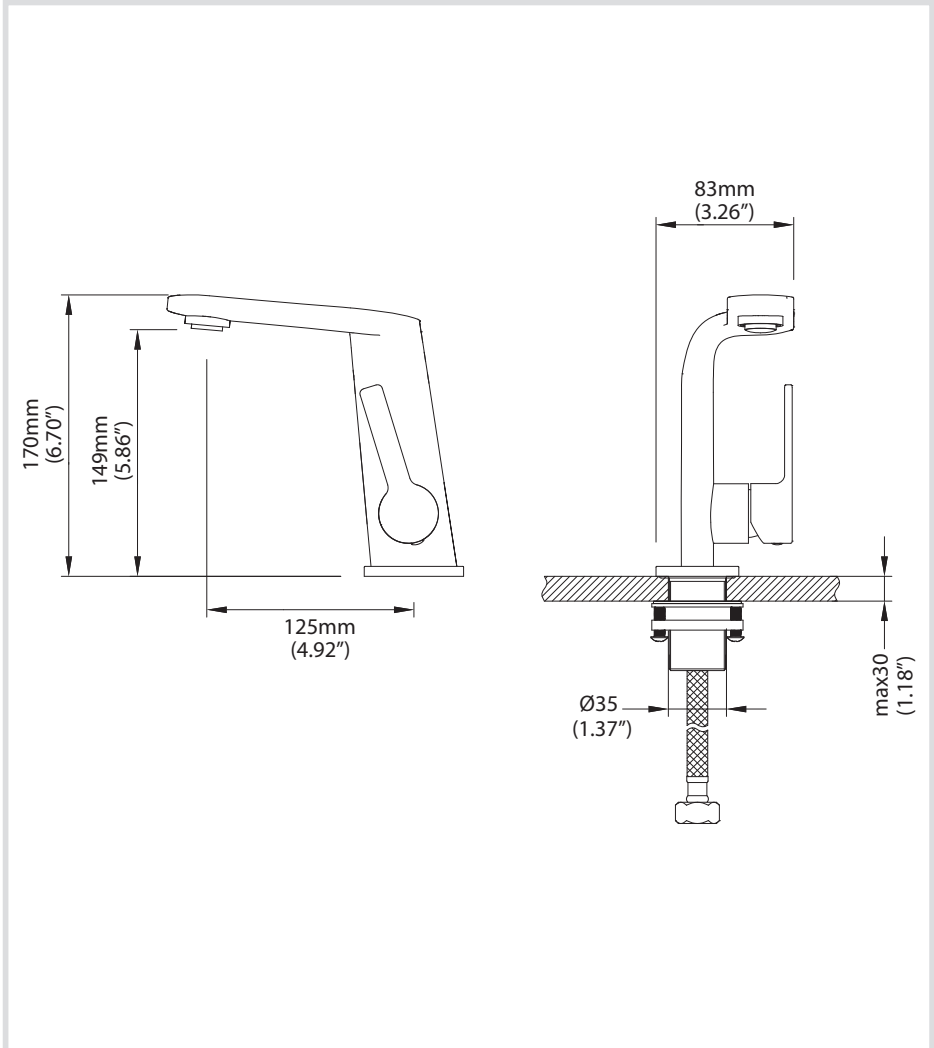


Silicone Sealant
(optional)



Safety Goggles

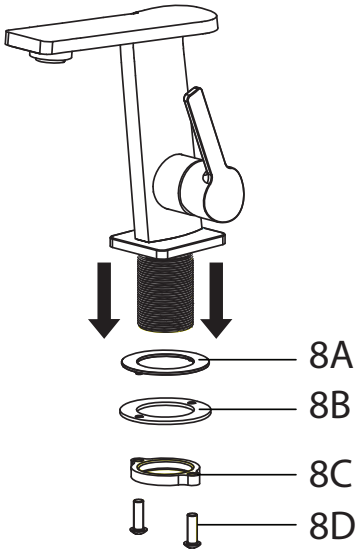
Faucet Dimension



Installer Tip:

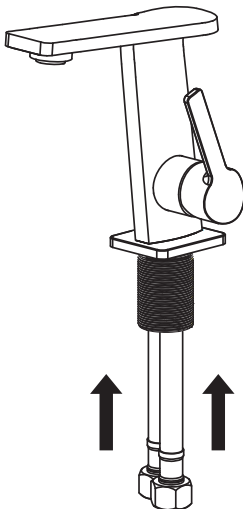
Shut off main water supply before installing new faucet

Step 1: Remove mounting hardware



Remove the mounting screws (8D), mounting nut (8C), metal washer (8B), and rubber washer (8A) from the mounting pipe

Step 2: Install hot & cold waterlines

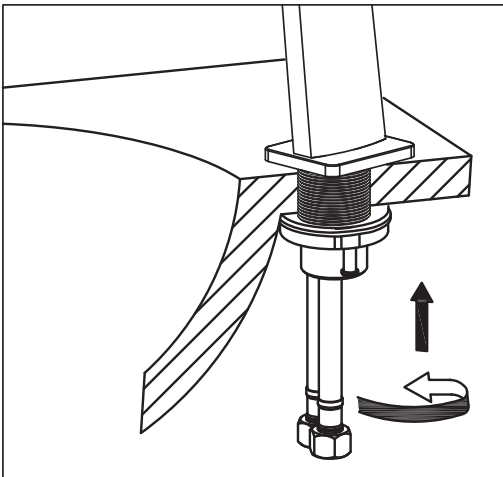
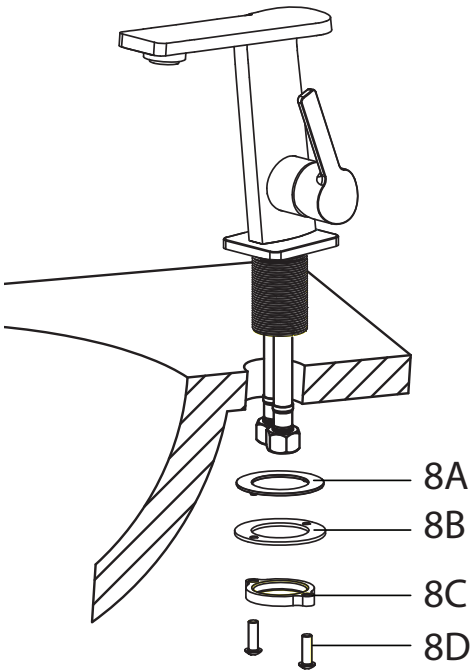


Place faucet on a soft cloth, spout facing up. Attach the waterlines into the base of the faucet (HAND-TIGHTEN ONLY)
(A) Hot side left
(B) Cold side right

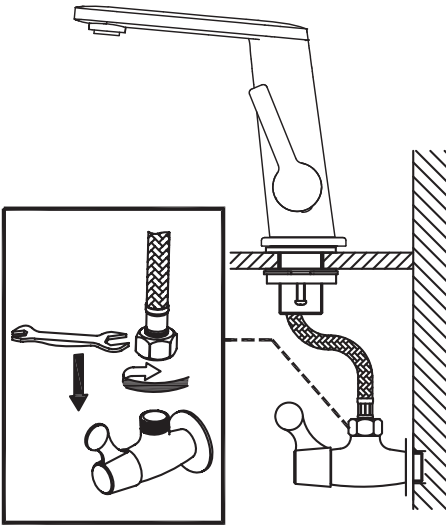
NOTE: Make sure O-rings are installed on both ends of the hot & cold waterlines

Step 3: Install faucet

Install faucet through 1-3/8" predrilled hole in countertop. Attach rubber washer (8A), metal washer (8B), mounting nut (8C), and mounting screws (8D) on the threaded mounting pipe. Tighten mounting nut (8C) until snug. Tighten screws (8D) on mounting nut (8C) with Phillips head screwdriver until snug



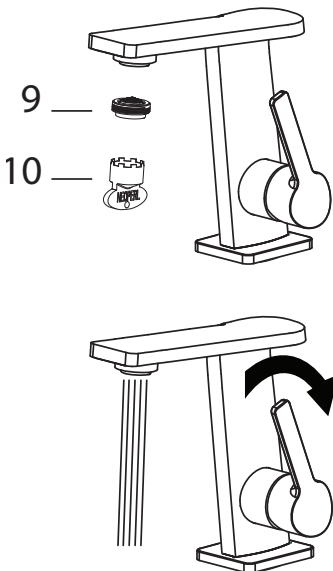
Step 4: Connect waterlines to main valve



Connect flex water supply lines to angle stops and tighten with adjustable wrench. Turn on both hot and cold main valve

Apply pipe tape (optional)

Step 5: Flush faucet



After installing faucet, remove aerator (9) with included aerator key (10). Turn water on for 30 seconds to remove any debris. Reassemble aerator (9)

Trouble - Shooting

If you have followed the instructions carefully and your faucet still does not work properly, take the following corrective steps:

PROBLEM	CAUSE	ACTION
Leakage under the handle	Locking nut (4) has come loose	Remove handle index button (1a). Loosen set screw (1b) with hex wrench (9). Remove metal handle (2). Unscrew cartridge cover (3) (by hand only). Tighten locking nut (4) with an adjustable wrench
Aerator drips or has inconsistent water flow pattern	Aerator (9) is dirty or not seated properly	Unscrew aerator (9) with aerator key (10) and clean out debris
Water will not shut off completely	Cartridge may need to be adjusted or replaced	Remove handle index button (1a). Loosen set screw (1b) with hex wrench (9). Remove metal handle (2). Unscrew cartridge cover (3) (by hand only). Unscrew the locking nut (4) with an adjustable wrench. Remove ceramic disc cartridge (5). Check for cracks

Care & Maintenance

*To keep the product clean & shining, follow the steps below:

1. Rinse with clean water & dry with a soft cloth
2. Do not clean with soaps, acid, polish, abrasives, or harsh cleaners
3. Do not use cloth with a coarse surface
4. Unscrew the aerator and clean when necessary

*This installation manual is subject to change without further notice.



Codes/Standards Applicable:



NSF/ANSI 61



ASME A112.18.1M
1.2GPM 4.5L/min maximum

FAUCET WARRANTY

Kraus products are manufactured and tested to the highest quality standards by Kraus USA Inc. ("Kraus"). Kraus extends this warranty to the original purchaser for personal household use of the "Faucet" in its original location. The warranty is non-transferable.

Kraus warrants the structure and finish of the product to be free from defects in material and workmanship under normal usage for the lifetime of the product. The warranty commences from the initial date of purchase by the owner or trade professional, from an authorized Kraus dealer, through the lifetime of the original owner or end-user.

Kraus warrants the mechanical components (such as **sprayhead assembly**) of the product to be free from defects in material and workmanship under normal usage for a period of one (1) year. The warranty commences from the initial date of purchase by the owner or trade professional, from an authorized Kraus dealer, through the one (1) year term of the original owner or end-user.

Kraus warrants the mechanical component (**cartridge**) of the product to be free from defects in material and workmanship under normal usage for a period of five (5) years. The warranty commences from the initial date of purchase by the owner or trade professional, from an authorized Kraus dealer, through the five (5) year term of the original owner or end-user.

Any product reported to the authorized dealer or to Kraus as being defective within the warranty period will be repaired or replaced with a product of equal value at the option of Kraus. This warranty extends to the original owner or end-user, and is not transferable to a subsequent owner.

RESTRICTIONS

This warranty does not cover antediluvian, discontinued, or display products, whether such items are purchased at discount outlets, unauthorized dealers, and/or sold on clearance.

This warranty does not cover instances of negligence, misuse, abuse, improper installation, carelessness, accident, hard water or mineral deposits, exposure to corrosive materials, misapplication, damages caused by improper maintenance, alteration of the product, or failure to follow care or installation instructions enclosed with your product. Avoid using abrasive cleaners such as powders, bleach, ammonia, alcohol, or chlorine. Avoid using abrasive pads, steel wool, or wire brushes, as these will damage and wear down the finish.

This warranty does not apply to Products that have not been installed or operated in accordance with instructions supplied by Kraus and all applicable rules, regulations, and legislation pertaining to such installations.

This warranty does not apply unless the Kraus product is installed by a fully insured and licensed trade professional. Kraus insists that such professionals have experience in the installation of bathroom and kitchen manufactured goods.

This warranty does not cover labor charges or costs of removal and reinstallation of said product. This warranty does not allow recovery of incidental or consequential damages, such as loss of use, delay, property damage, or other consequential damages, and Kraus accepts no liability for such damages.

This warranty does not cover Marine or Outdoor Installation.

Except as otherwise provided above, Kraus makes no warranties, expressed or implied, including warranties of

merchantability and fitness for a particular purpose, or compliance with any code.

Shipping charges will be covered for the first (1) year of the warranted replacement part or product (HI, AK, and Puerto Rico shipping charges may apply). International shipping fees are not included.

COMMERCIAL WARRANTY

Kraus extends the above warranty for a period of one (1) year to purchasers of products for industrial, commercial, and business use.

All incidental or consequential damages are specifically excluded. No additional warranties, express or implied, are given, including but not limited to any implied warranty of merchantability or fitness for a particular purpose.

Some states do not allow the exclusion or limitation of incidental or consequential damages or limitations on how long an implied warranty lasts, so the above limitations or exclusions may not apply to you.

This warranty gives you specific legal rights, and you may also have other rights which vary from state to state.

If you are a homeowner please contact a Kraus Customer Service Representative at:

Kraus USA, Inc.
12 Harbor Park Drive
Port Washington, NY 11050
Toll-free 800-775-0703
Customerservice@kraususa.com

If you are a plumbing contractor or trade professional please contact a Kraus Pro Representative at:

Kraus USA, Inc.
12 Harbor Park Drive
Port Washington, NY 11050
516-801-8955
Proservice@kraususa.com

If you are an Authorized Partner please contact a Partner Support Representative at:

Kraus USA, Inc.
12 Harbor Park Drive
Port Washington, NY 11050
516-801-8954
Partnersupport@kraususa.com

In requesting warranty service, please be ready to provide:

1. Proof of purchase.
2. A description of the problem.

Download the Kraus Care & Maintenance Guide at:

<http://www.kraususa.com/maintenance>

IMPORTANT

Register Your Kraus Product

Activate Your Warranty

Access Premium Customer Support

Get Product Information

REGISTER TODAY

<http://www.kraususa.com/registration>



Kräus[®]
www.kraususa.com