

Novus / KEF-15401

Single Lever Basin Faucet

Brushed Nickel / Chrome Finishes

Kräus[®]

SPECIFICATION SHEET

Material

Body: Brass
Handle: Brass
Waterway: Brass

Faucet Type

Single Lever Basin

Cartridge

Brand: Kerox
Size: 25mm
Style: Lever

Mounting

Holes: 1 Hole
Type: Brass Nut

Waterlines

Type : Fanski
Flexible
Connections: 3/8"
Materials: Braided Stainless Steel
Included
Factory Installed

Aerator

Brand: Neoperl/1.2GPM
Name: Slim Cascade SLC SSR
Flow Rate: 1.2gpm (4.5L/min) @ 60 psi
Adjustable

Dimensions

Faucet Dimensions: 6 3/4" x 4 7/8" x 2"

Accessories Included

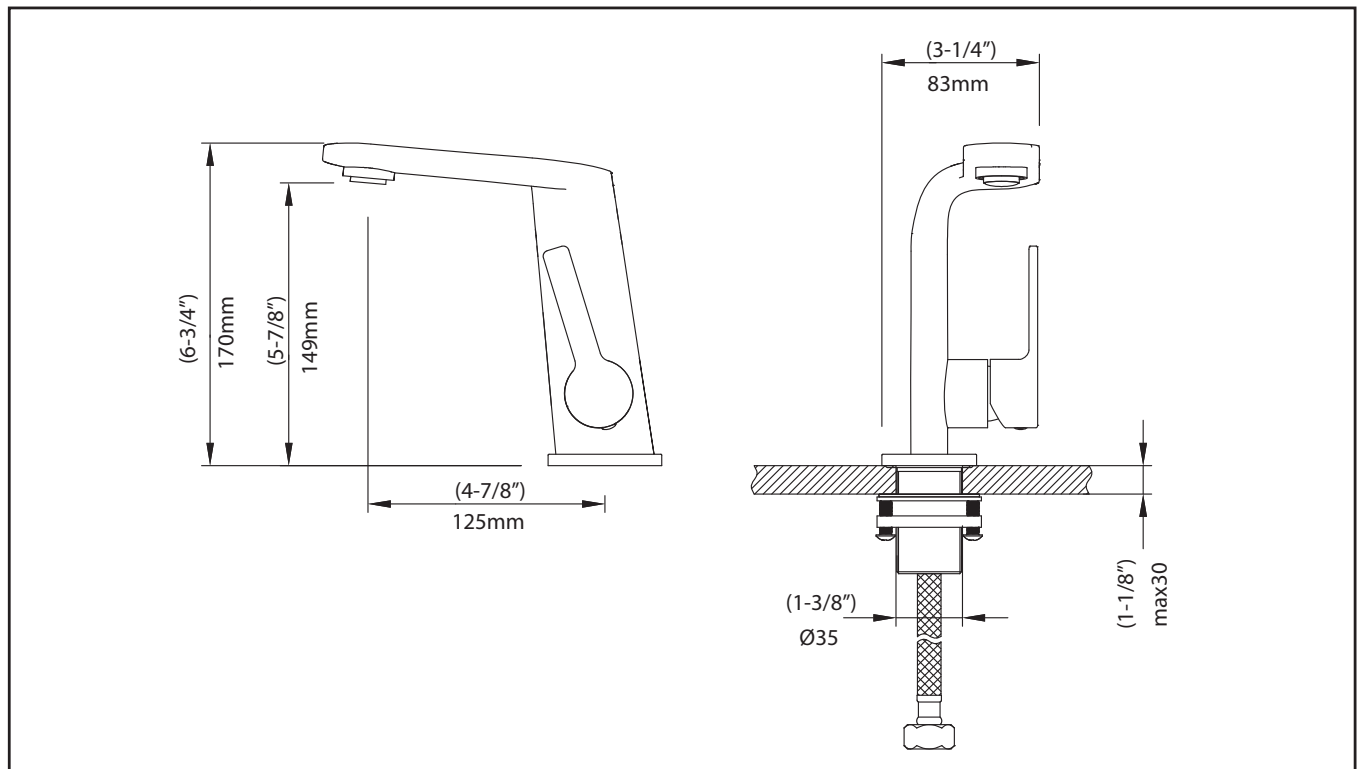
Aerator Key

Optional Accessories

PU-11, PU-16

Kraus Limited Lifetime Warranty: See website for details www.kraususa.com

1.800.775.0703 / customerservice@kraususa.com



Codes/Standards: Meets ASME A112.18.1/CSA B125.1, NSF/ANSI Standard 61 certified by IAPMO, NSF/ANSI Standard 372 certified by IAPMO, CAL GREEN, EPA, DOE, ADA

REV. December 8, 2016