

Kräus®

INSTALLATION MANUAL

**Oletto™ Single Lever
Commercial Style Kitchen Faucet
KPF-2630**

Thank you for your purchase

We would like to take this opportunity to thank you for choosing Kraus. We hope that you are completely satisfied with your purchase, and enjoy it for years to come. If you have any questions, or require technical assistance, please contact us at 800.775.0703 and one of our representatives will be happy to help.

For more information about Kraus products, please visit:

www.kraususa.com

In order to activate your warranty and get faster access to customer support, please register your new Kraus product at:

www.kraususa.com/registration

Sincerely,

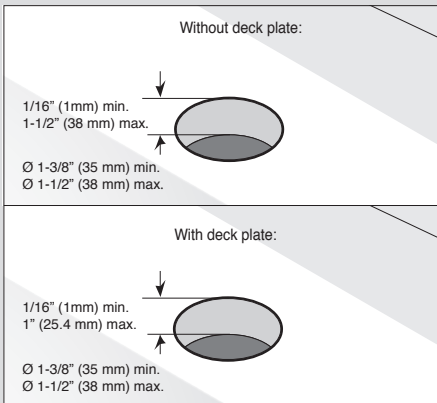
Kraus USA Customer Service

For technical assistance or replacement parts, please contact Kraus Customer Service and one of our representatives will be happy to help:

Toll-Free: 800-775-0703 or Customerservice@kraususa.com

Prior to Installation:

- Make sure you have all necessary parts by checking the diagram and parts list. If any part is missing or damaged, please contact Kraus Customer Service at 800-775-0703 for a replacement
- Turn off the hot and cold water supply at the angle stops and turn on the old faucet to release any built up pressure. Remove existing faucet. Clean sink or countertop to remove any debris, plumber's putty, or silicone
- Place bucket under angle stops. Turn on to flush any debris prior to installing new plumbing. Shut off angle stops
- Pre-drilled hole size requirement: 1-3/8" (min) – 1-1/2" (max)
- Max countertop thickness without deck plate: 1-1/2"
- Max countertop thickness with deck plate: 1"
- 1, 2, or 3 hole installation



Tools you will need:

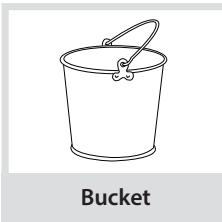
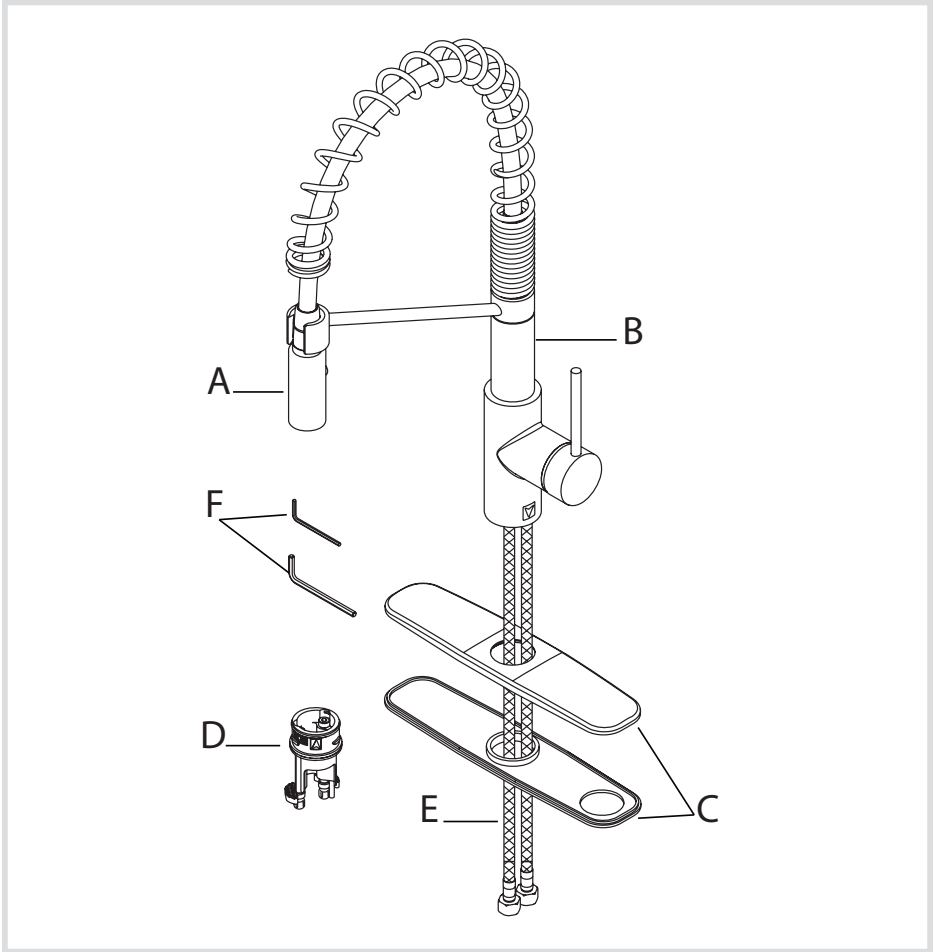


Diagram and Parts List



A. Spray Head

B. Faucet Body

C. Deck & Putty Plate

D. Base

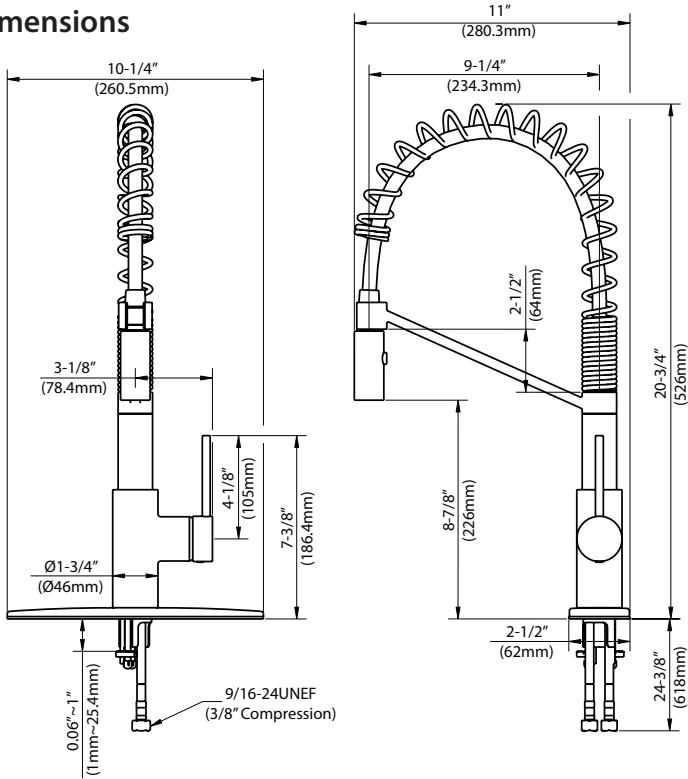
E. Hot & Cold Waterlines

F. Hex Wrench Set

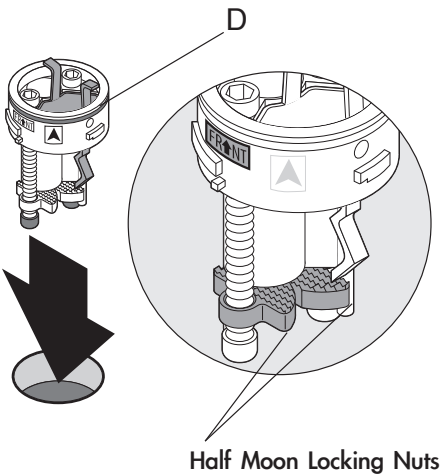
F1. 2.5mm

F2. 4mm

Faucet Dimensions



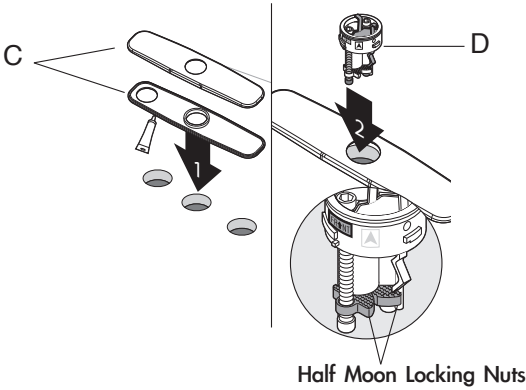
Step 1A: Install base without deck & putty plate



Insert base (D) into sink or countertop with "FR↑NT" facing forward. Tighten screws on base (D) with 4mm hex wrench (F) until base is secure on sink or countertop

Installer Tip: Rotate the two half-moon shaped locking nuts inward before inserting base (D) into sink or countertop

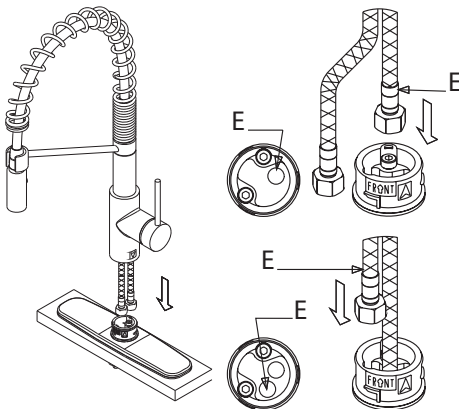
Step 1B: Install base with deck & putty plate



Place a bead of clear silicone sealant (not included) around the edge of the putty plate (C). Secure deck & putty plate (C) on sink or countertop. Insert base (D) into hole of deck & putty plate (C) with "FR↑NT" facing forward. Tighten screws on base (D) with 4mm hex wrench (F) until base is secure on deck & putty plate (C)

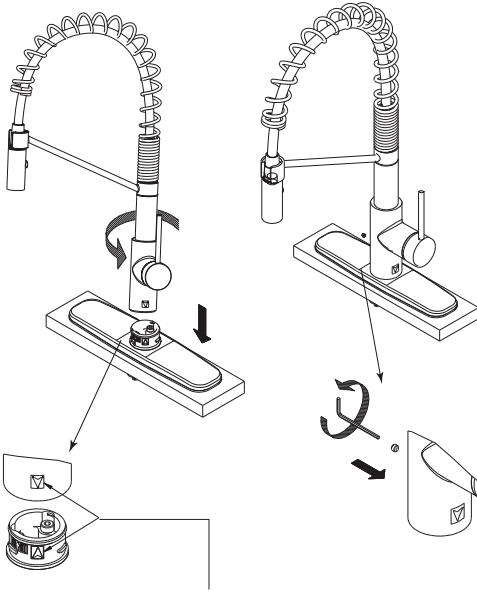
Installer Tip: Rotate the two half-moon shaped locking nuts inward before inserting base (D) into deck plate (C)

Step 2: Install faucet



Insert hot & cold waterlines (E), one by one, in large hole of base

Step 3: Secure faucet

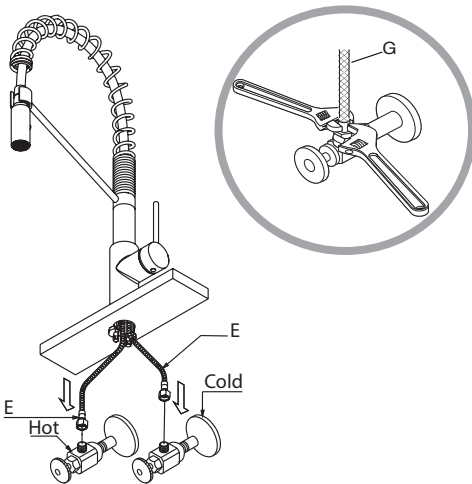


Align arrow on faucet body (B) with arrow on base (D). Attach faucet body (B) to base (D) and turn counter-clockwise. Secure faucet body (B) by tightening the set screw with 2.5mm hex wrench (J)

Installer Tip: Please loosen set screw from faucet body (B) prior to securing to base (D)

Note: "▲" on base should be in alignment with "▼" on faucet body. Rotate faucet counterclockwise to secure on base.

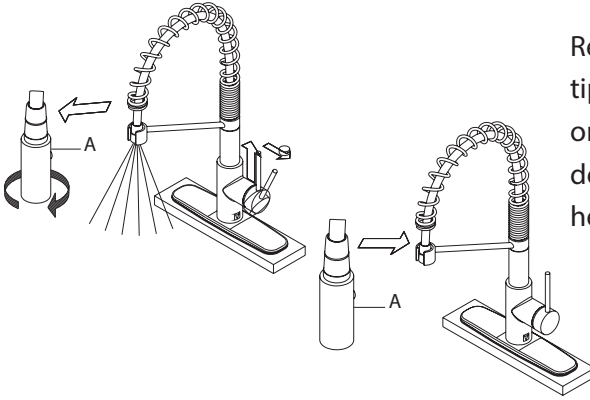
Step 4: Connect waterlines to main valve



Thread hot & cold waterlines (E) onto angle stops (G). Tighten with adjustable wrench until snug. Turn on the angle stops and check for leaks (DO NOT TURN FAUCET ON)

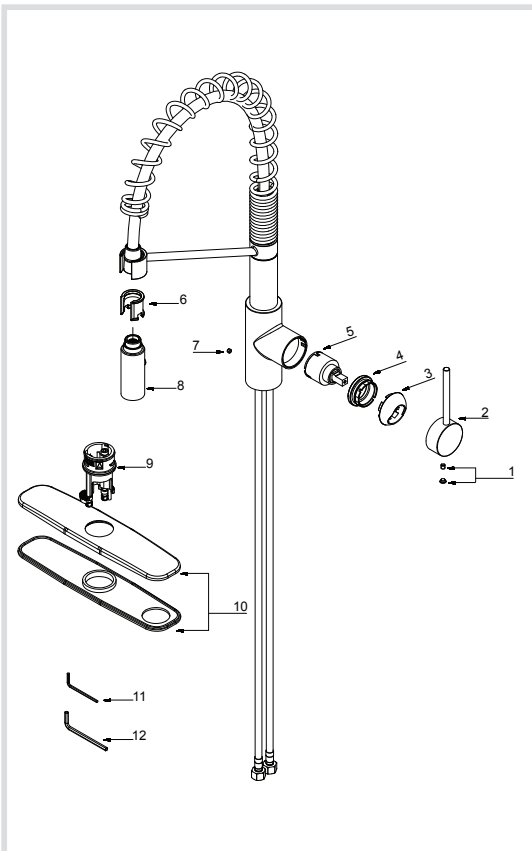
Installer Tip: Use two wrenches when securing waterlines to angle stops to prevent kinking, as shown in picture

Step 5: Connect quick connect



Remove spray head (A). Hold tip of spray hose. Turn faucet on for 1 minute to flush any debris. Reconnect spray head (A)

Replacement Part List



1. A Index Button
B Set Screw
2. Metal Handle
3. Cartridge Cover
4. Locking Nut
5. Cartridge
6. Clip
7. Set Screw
8. Spray Head
9. Base
10. Cover & Putty Plate
11. Hex Wrench 2.5mm
12. Hex Wrench 4mm

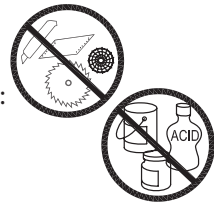
Trouble - Shooting

If you have followed the instructions carefully and your faucet still does not work properly, take the following corrective steps:

PROBLEM	CAUSE	ACTION
Water will not shut off completely	Cartridge(5) may need to be adjusted or replaced	Remove index button (1A). Loosen set screw (1B) with 2.5mm hex wrench (13). Remove metal handle (2). Remove cartridge cover (3) by hand only. Remove locking nut (4) with an adjustable wrench. Remove ceramic disc cartridge (5). Check for cracks
Leaking from between spray head and hose	Washer may be missing or not seated correctly in hose	Make sure washer is present and seated correctly in hose

Care & Maintenance

*To keep the product clean & shining, follow the steps below:



1. Rinse with clean water & dry with a soft cloth
2. Do not clean with soaps, acid, polish, abrasives, or harsh cleaners
3. Do not use cloth with a coarse surface
4. Unscrew the aerator and clean when necessary

*This installation manual is subject to change without further notice.

Download the Kraus Care & Maintenance Guide at:

<http://www.kraususa.com/maintenance>

Codes/Standards Applicable:



NSF/ANSI Standard 61 certified by IAPMO
NSF/ANSI Standard 372 certified by IAPMO



Meets ASME A112.18.1M/A112.18.1
1.75GPM 6.6L/min maximum

HELP LINE

Our customer service hours are Monday – Friday, 9am – 8pm EST.
Be sure to visit our website at www.kraususa.com

If you are a homeowner please contact a Kraus Customer Service Representative at:

Kraus USA, Inc.
12 Harbor Park Drive
Port Washington, NY 11050
Toll-free 800-775-0703
Customerservice@kraususa.com

If you are a plumbing contractor or trade professional please contact a Kraus Pro Representative at:

Kraus USA, Inc.
12 Harbor Park Drive
Port Washington, NY 11050
516-801-8955
Proservice@kraususa.com

If you are an Authorized Partner please contact a Partner Support Representative at:

Kraus USA, Inc.
12 Harbor Park Drive
Port Washington, NY 11050
516-801-8954
Partnersupport@kraususa.com

In requesting warranty service, please be ready to provide:

1. Proof of purchase.
2. A description of the problem.

Kräus[®]

www.kraususa.com

REGISTER YOUR PRODUCT TODAY

Receive Proof of Ownership
Access Customer Care & Installation Help
Get Exclusive Kraus Offers & Promotions



Scan to Register Online
or visit <http://www.kraususa.com/registration>

We're always looking for ways to improve.

Please take a moment to share your experience.
Visit <http://www.kraususa.com/review> to let us know what you think
about your new Kraus product.

Contact Us to Learn More
1.800.775.0703 / www.kraususa.com / customerservice@kraususa.com
Like & Follow KrausUSA

Download the Kraus Care & Maintenance Guide at:
<http://www.kraususa.com/maintenance>



Kräus[®]

www.kraususa.com