

The logo features the word "Kraus" in a white, serif font on a black background. The letter "K" is stylized with a vertical line through its center. Above the "a" are three small, white, teardrop-shaped icons. A registered trademark symbol (®) is located to the upper right of the "s".

**Kraus<sup>®</sup>**

INSTALLATION MANUAL

## **Coda 8" Widespread Basin Faucet**

FUS-13803

## Thank you for your purchase

We would like to take this opportunity to thank you for choosing Kraus. We hope that you are completely satisfied with your purchase, and enjoy it for years to come. If you have any questions, or require technical assistance, please contact us at 800.775.0703 and one of our representatives will be happy to help.

For more information about Kraus products, please visit:

**[www.kraususa.com](http://www.kraususa.com)**

In order to activate your warranty and get faster access to customer support, please register your new Kraus product at:

**[www.kraususa.com/registration](http://www.kraususa.com/registration)**

*Sincerely,*

*Kraus USA Customer Service*

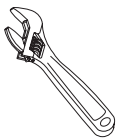
## Prior to Installation:

- Make sure you have all necessary parts by checking the diagram and parts list. If any part is missing or damaged, please contact Kraus Customer Service at 800-775-0703 for a replacement
- Turn off the hot and cold water supply at the angle stops and turn on the old faucet to release any built up pressure. Remove existing faucet. Clean sink or countertop to remove any debris, plumber's putty, or silicone
- Place bucket under angle stops. Turn on to flush any debris prior to installing new plumbing. Shut off angle stops
- Max countertop thickness: 1-3/8"

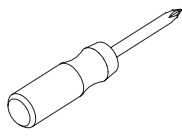
**For technical assistance or replacement parts, please contact Kraus Customer Service and one of our representatives will be happy to help:**

Toll-Free: 800-775-0703 or [Customerservice@kraususa.com](mailto:Customerservice@kraususa.com)

## Tools you will need:



Adjustable Wrench



Phillips Screwdriver

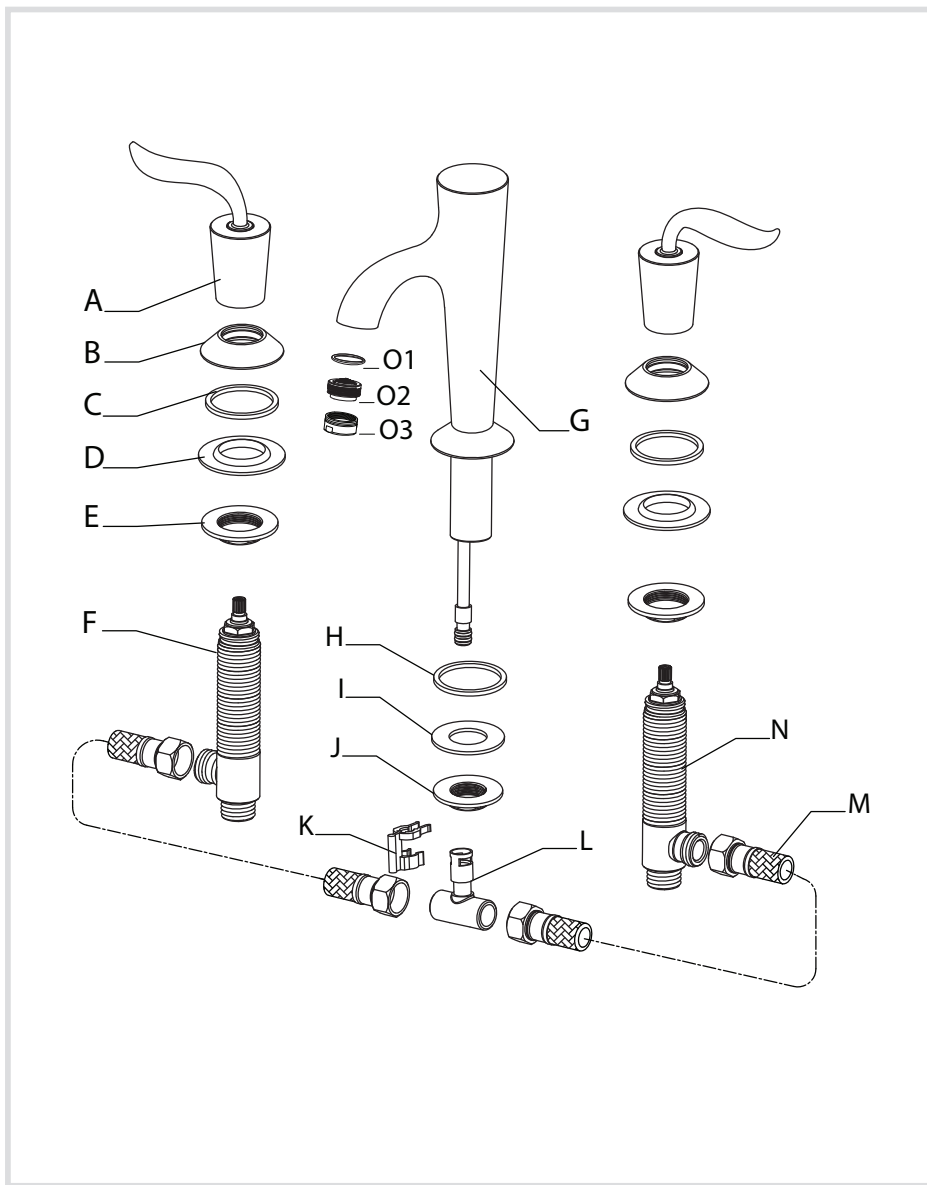


Safety Goggles



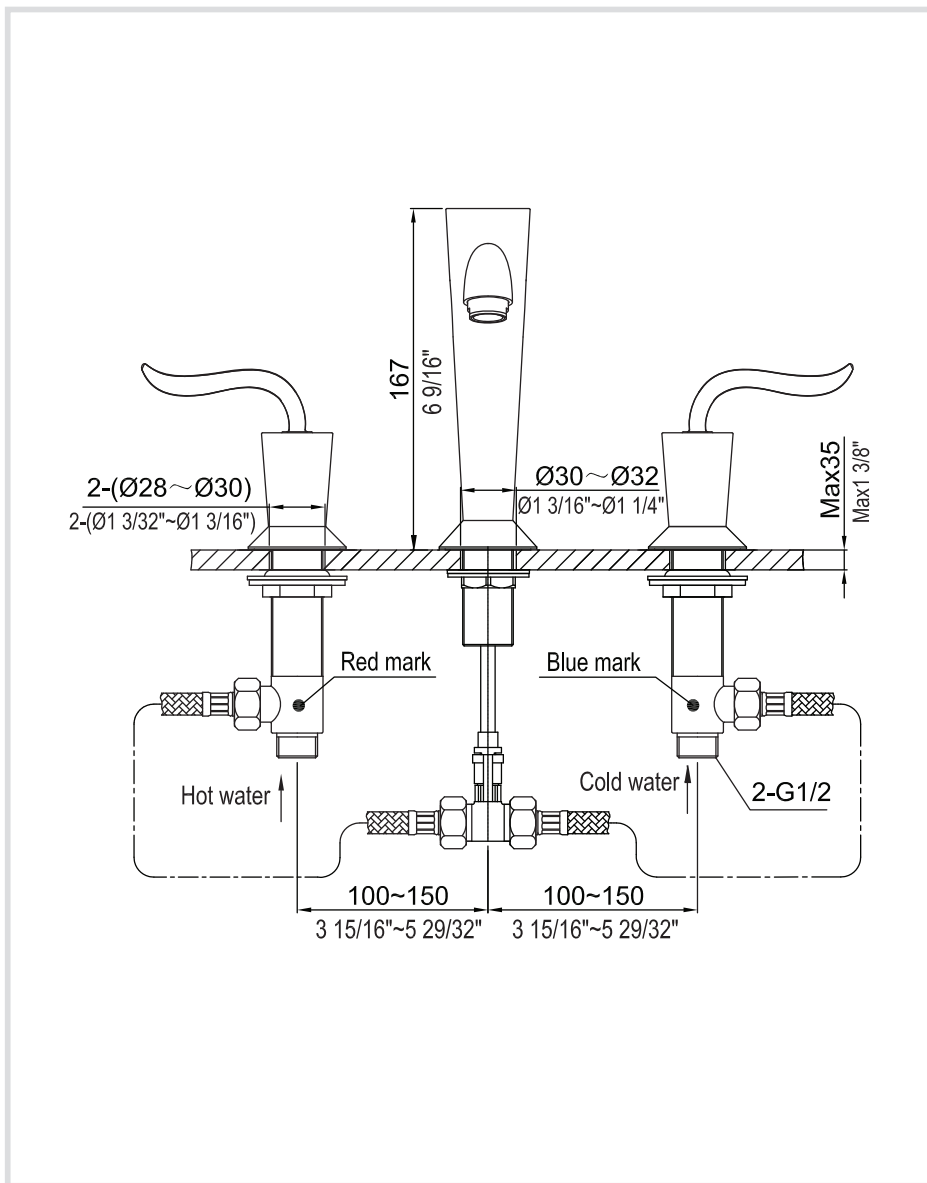
Bucket

# FUS-13803 Diagram and Parts List

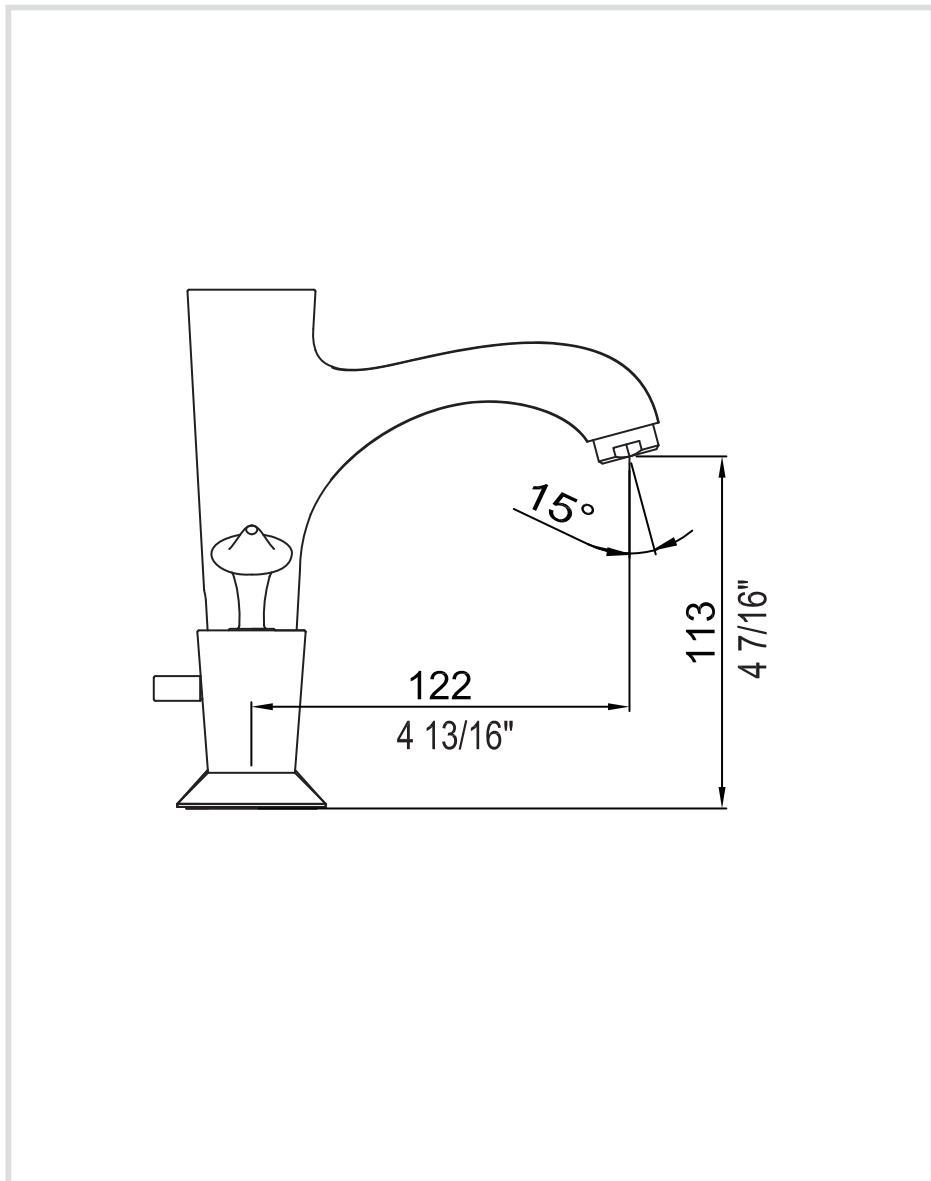


- A. Hot & Cold Handle
- B. Base Metal Ring
- C. Base O-Ring  
(factory-installed in base metal ring)
- D. Rubber Washer
- E. Mounting Nut
- F. Hot Valve
- G. Spout
- H. Base O-Ring  
(factory-installed in base of spout)
- I. Rubber Washer
- J. Mounting Nut
- K. T-Union Clip
- L. T-Union
- M. Waterlines
- N. Cold Valve
- O. Aerator Assembly
  - O1. Aerator Washer
  - O2. Aerator
  - O3. Aerator Cover

# Faucet Dimensions

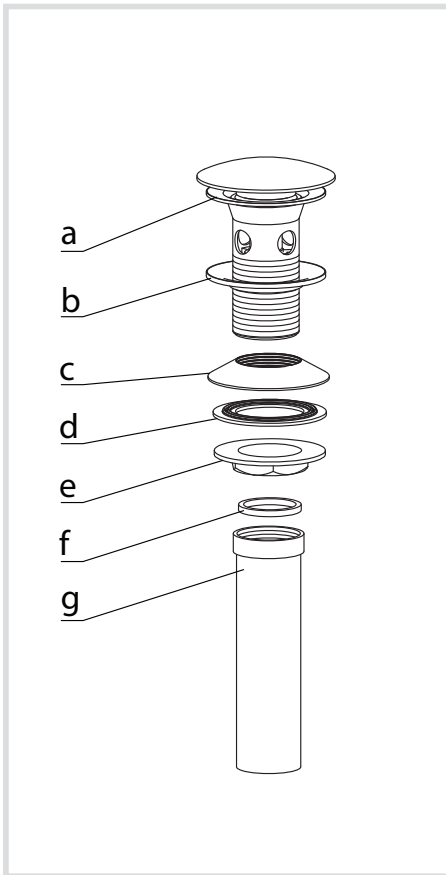


## Faucet Dimensions

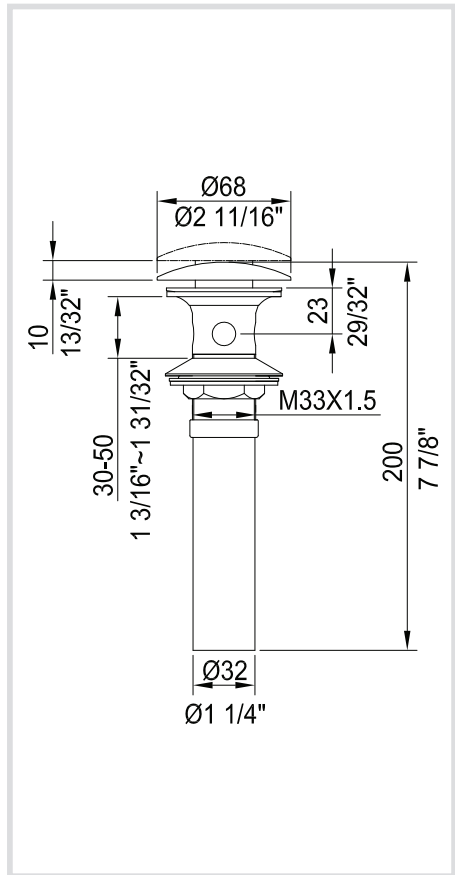


# Lift Rod Drain

## Diagram and Parts List



## Dimensions

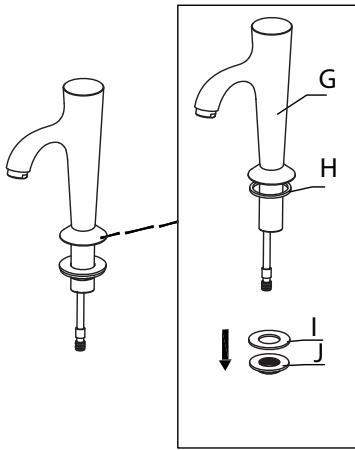


- a. Drain Body
- b. Rubber Washer
- c. Concave Washer
- d. Plastic Washer

- e. Mounting Nut
- f. Tailpipe Washer
- g. Tailpipe

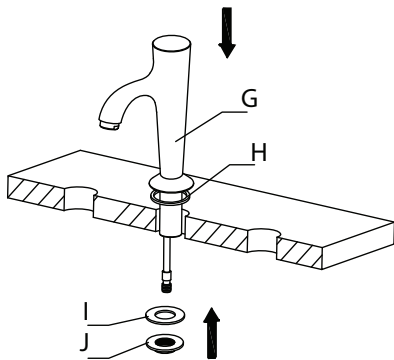


## Step 1: Remove mounting hardware from spout



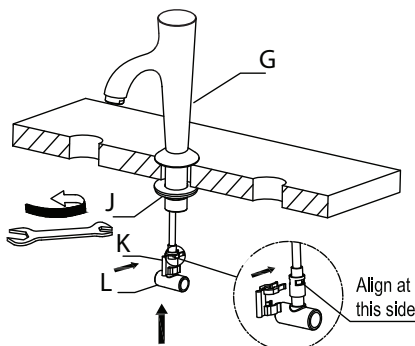
Remove mounting nut (J), rubber washer (I), and base O-ring (H) from spout (G)

## Step 2: Secure Spout



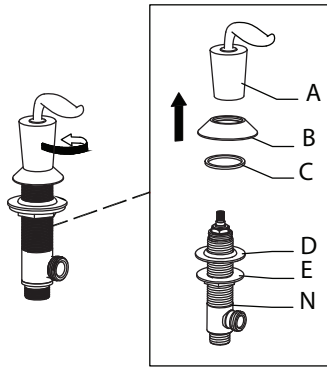
Install spout (G) through hole in sink or countertop with base O-ring (H) attached. Attach rubber washer (I) and mounting nut (J)

## Step 3: Install spout



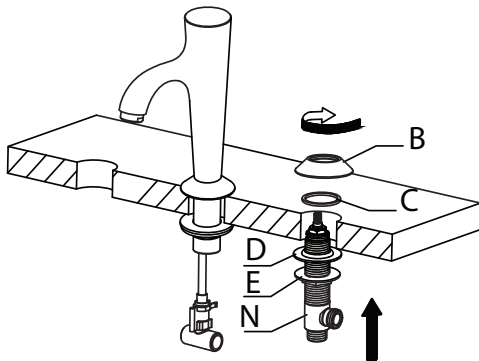
Adjust spout (G) to proper position and tighten mounting nut (J) with adjustable wrench. Install t-union (L) onto supply line of spout (G). Attach t-union clip (K) to secure t-union (L)

## Step 4: Remove hot & cold handles and base metal rings

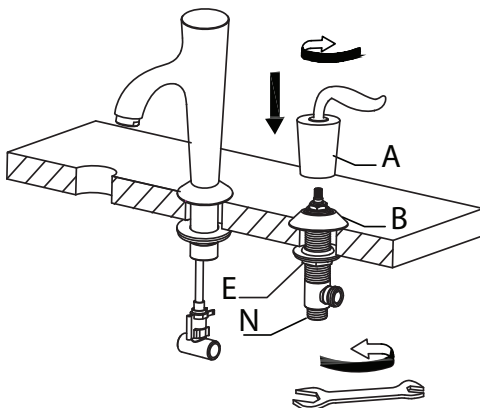


Remove handle (A) and base metal ring (B) from valve (N). Insert valve (N) into predrilled hole (Hot: Left, Cold: Right) from underneath. Repeat steps for second handle (A) and valve (F)

## Step 5: Secure valves

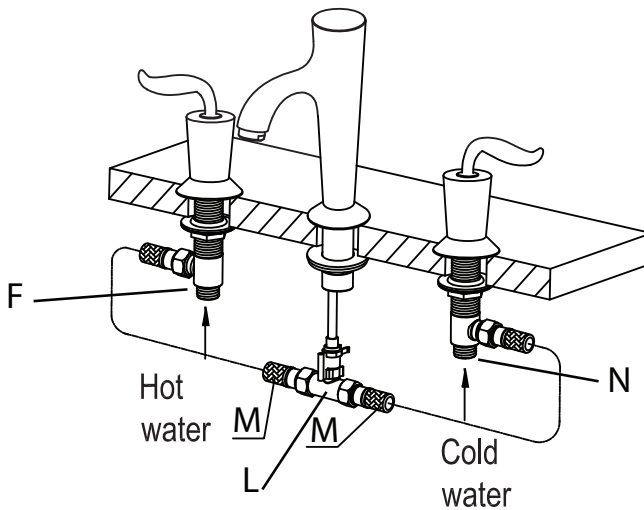


Secure base metal ring (B) and handle (A) onto valve (N) from above. Tighten mounting nut (E) on valve (N) from underneath with adjustable wrench until snug. Repeat steps for second handle (A) and valve (F)



## Step 6: Connect waterlines to faucet and main valve

---



Thread waterlines (M) to hot and cold valve (F & N) horizontally. Thread other end of waterlines to t-union (L). Attach hot & cold supply lines (not included with faucet) to valves (F & N) vertically

A. Hot Side: Left

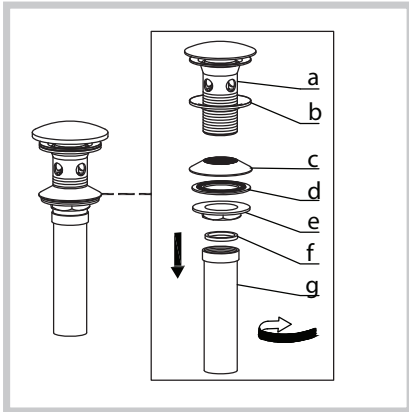
B. Cold Side: Right

Secure other end of hot & cold supply lines to angle stops. Tighten all ends with adjustable wrench until snug. Turn on angle stops and check for leaks (DO NOT TURN ON FAUCET)

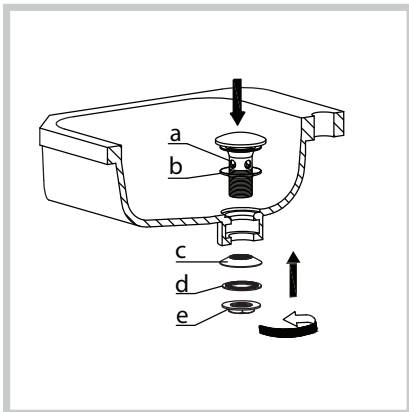
### Please Note:

1. The faucet comes with waterlines (M). Supply lines are required to attach to the angle stops (not included)
2. Recommended supply lines: 3/8 in. OD x 1/2 in. IPS

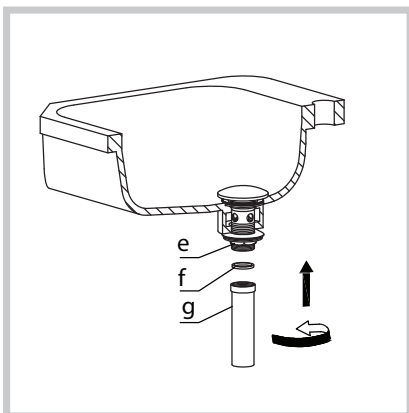
## Step7: Install drain



- Remove tail pipe (g), mounting nut (e), plastic washer (d), and concave washer (c) from drain body (a)



- Install drain body (a), with rubber washer (b) attached, into the drain hole. From underneath, attach concave washer (c) (narrow end up), plastic washer (d), and mounting nut (e) to drain body (a). Secure tightly to sink with an adjustable wrench

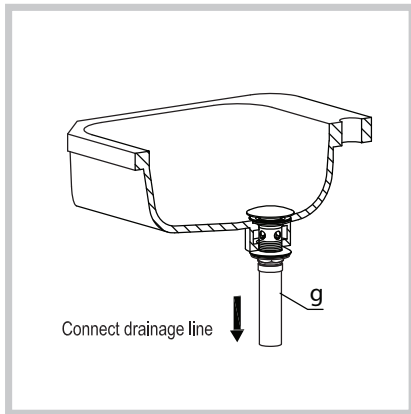


- Tighten mounting nut (e) with adjustable wrench until snug. Thread tailpipe (g) onto drain body (a) and hand-tighten

**Installer Tip:** Make sure tailpipe washer (f) is installed in tailpipe

## Step 7: Install drain

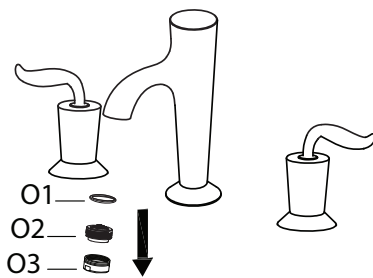
---



- Connect tailpipe (g) to p-trap

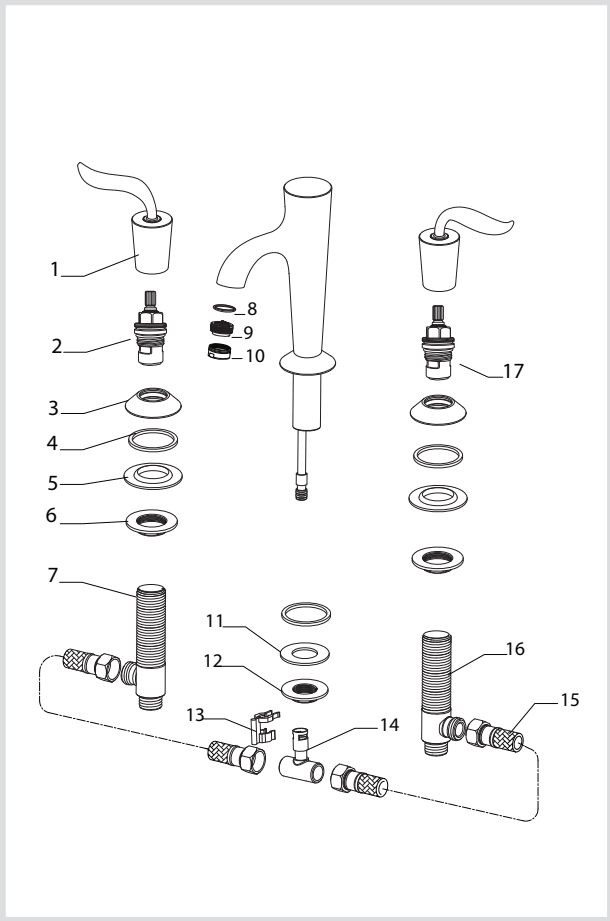
## Step 8: Flush faucet

---



Remove aerator assembly (O). Loosen aerator cover (O3) with adjustable wrench. Remove aerator (O2) and aerator washer (O1). Turn water on for 1 minute to remove any debris. Reassemble aerator assembly (O)

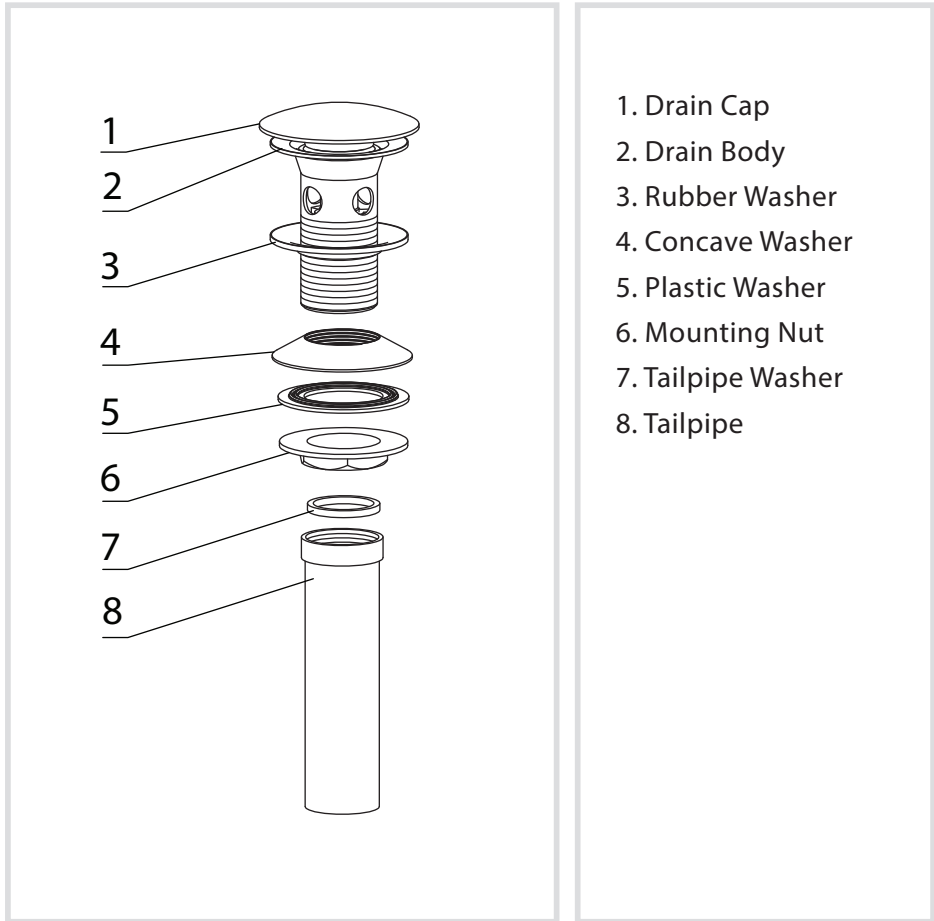
# Replacement Part List - FUS-13803



- 1. Metal Handle
- 2. Cartridge - HOT
- 3. Base Metal Ring
- 4. Base O-Ring
- 5. Rubber Washer
- 6. Mounting Nut
- 7. Hot Valve
- 8. Aerator Washer
- 9. Aerator
- 10. Aerator Cover
- 11. Rubber Washer
- 12. Mounting Nut
- 13. T-Union Clip
- 14. T-Union
- 15. Waterline
- 16. Cold Valve
- 17. Cartridge - COLD

## Replacement Part List - Lift Rod Drain

---



1. Drain Cap
2. Drain Body
3. Rubber Washer
4. Concave Washer
5. Plastic Washer
6. Mounting Nut
7. Tailpipe Washer
8. Tailpipe

## Trouble - Shooting

If you have followed the instructions carefully and your faucet still does not work properly, take the following corrective steps:

| PROBLEM  | CAUSE   | ACTION   |
|--|---|--|
| Leakage under handles                                | Hot or cold cartridge (2 or 17) may be loose                        | Remove H & C metal handle (1). Tighten hot or cold cartridge (2 or 17) with adjustable wrench                  |
| Aerator drips or has inconsistent water flow pattern | Aerator (9) may be dirty or not seated properly                     | Unscrew aerator cover (10) with adjustable wrench. Remove aerator (9), and clean out debris                    |
| Water will not shut off completely                   | Hot or cold cartridge (2 or 17) may need to be adjusted or replaced | Remove H & C metal handle (1). Remove hot or cold cartridge (2 or 17) with adjustable wrench. Check for cracks |
| Drain is leaking                                     | Washers may be compromised or installed incorrectly                 | Check washers to make sure they are installed correctly and not cracked  |



# Care & Maintenance

\*To keep the product clean & shining, follow the steps below:

1. Rinse with clean water & dry with a soft cloth
2. Do not clean with soaps, acid, polish, abrasives, or harsh cleaners
3. Do not use cloth with a coarse surface
4. Unscrew the aerator and clean when necessary



\*This installation manual is subject to change without further notice.

## Codes/Standards Applicable:



## HELP LINE

---

Our customer service hours are Monday – Friday, 9am – 8pm EST.  
Be sure to visit our website at [www.kraususa.com](http://www.kraususa.com)

### **If you are a homeowner please contact a Kraus Customer Service Representative at:**

Kraus USA, Inc.  
12 Harbor Park Drive  
Port Washington, NY 11050  
Toll-free 800-775-0703  
[Customerservice@kraususa.com](mailto:Customerservice@kraususa.com)

### **If you are a plumbing contractor or trade professional please contact a Kraus Pro Representative at:**

Kraus USA, Inc.  
12 Harbor Park Drive  
Port Washington, NY 11050  
516-801-8955  
[Proservice@kraususa.com](mailto:Proservice@kraususa.com)

### **If you are an Authorized Partner please contact a Partner Support Representative at:**

Kraus USA, Inc.  
12 Harbor Park Drive  
Port Washington, NY 11050  
516-801-8954  
[Partnersupport@kraususa.com](mailto:Partnersupport@kraususa.com)

### **In requesting warranty service, please be ready to provide:**

1. Proof of purchase.
2. A description of the problem.

**Download the Kraus Care & Maintenance Guide at:**

<http://www.kraususa.com/maintenance>

**Kräus®**

[www.kraususa.com](http://www.kraususa.com)

**REGISTER YOUR PRODUCT TODAY**

**Receive** Proof of Ownership  
**Access** Customer Care & Installation Help  
**Get** Exclusive Kraus Offers & Promotions



Scan to Register Online  
or visit <http://www.kraususa.com/registration>

**We're always looking for ways to improve.**

Please take a moment to share your experience.  
Visit <http://www.kraususa.com/review> to let us know what you think  
about your new Kraus product.

Contact Us to Learn More  
1.800.775.0703 / [www.kraususa.com](http://www.kraususa.com) / [customerservice@kraususa.com](mailto:customerservice@kraususa.com)  
Like & Follow KrausUSA

Download the Kraus Care & Maintenance Guide at:  
<http://www.kraususa.com/maintenance>



**Kräus<sup>®</sup>**

[www.kraususa.com](http://www.kraususa.com)