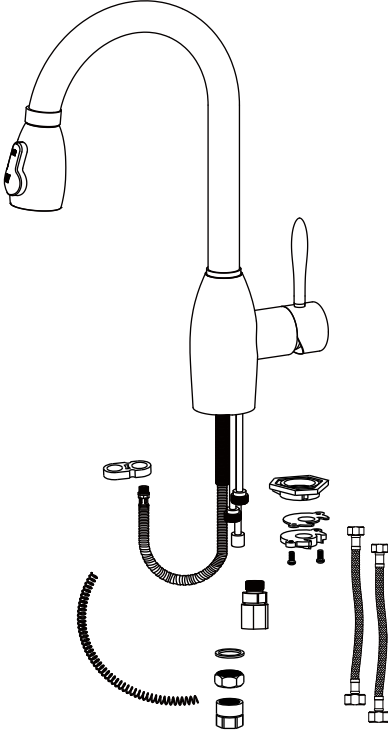


Installation Instruction

Single Handle Pull-down Kitchen Faucet

Before Your Installation

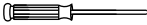
Check to make sure you have the following parts indicated below:



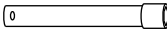
Tools You Will Need



Adjustable wrench



Phillips screwdriver



Spanner for body
(supplied)



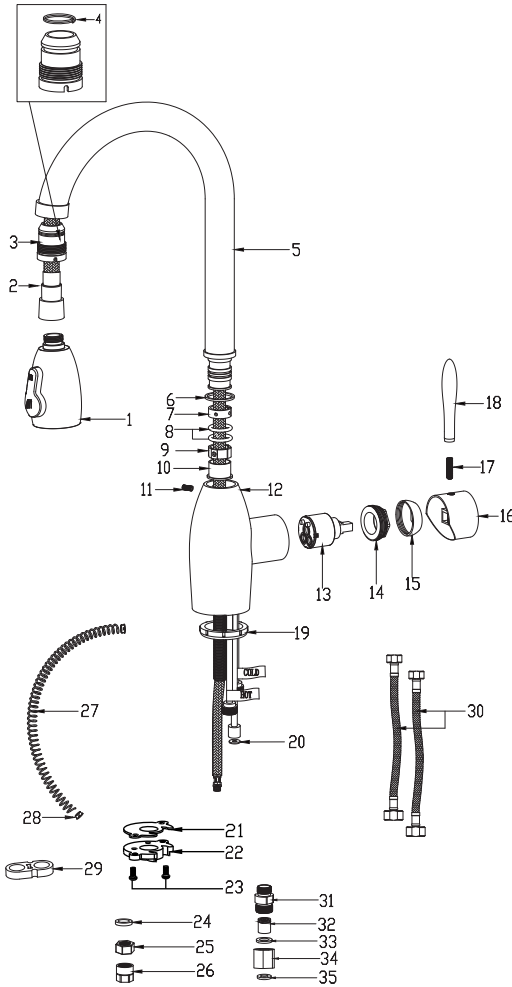
Adjustable wrench



Spanner for aerator
(supplied)

Replacement Parts

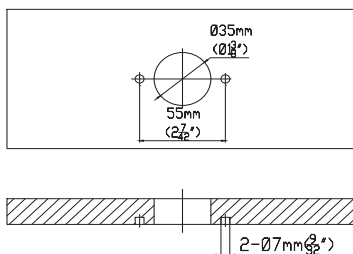
Keep this manual for ordering replacement parts.



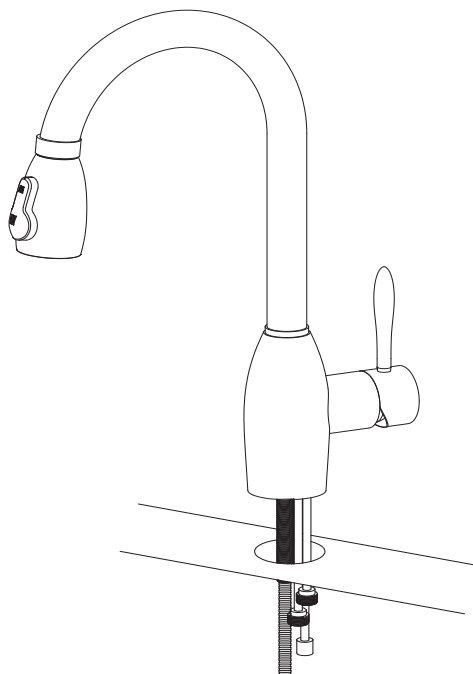
NO NAME

1. Sprayer
2. Black nylon hose
3. Locating sleeve
4. Steel ring
5. Spout
6. Anti-friction ring
7. Plastic retainer ring
8. O-ring
9. Plastic retainer ring
10. Noise silencer
11. Screw
12. Faucet body
13. Cartridge
14. Locking nut
15. Cartridge cover
16. Handle knob
17. M6 screw
18. Handle bar
19. Bottom rubber
20. Flat gasket
21. Locking rubber
22. Locking gasket
23. Screw
24. Locking gasket
25. Locking nut
26. Nut
27. Spring
28. Sleeve
29. Plastic stop collar
30. Hose
31. Sleeve nut
32. Check valve
33. Flat gasket
34. Sleeve
35. Flat gasket

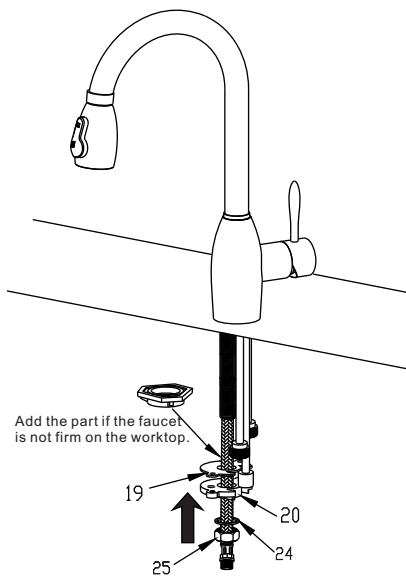
Faucet Installation Procedures



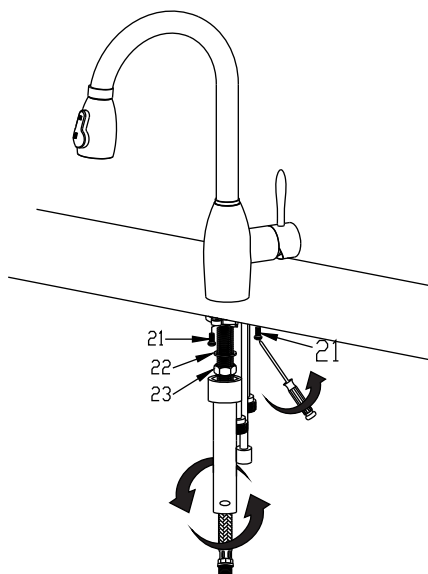
step ①



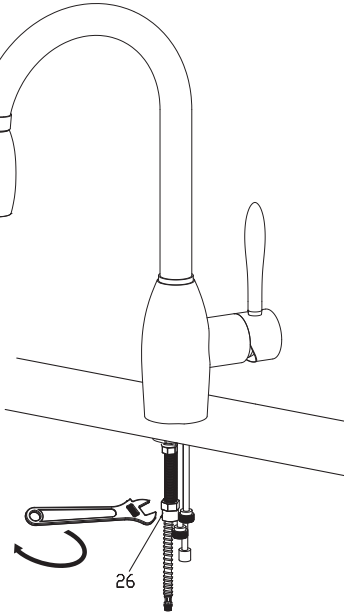
step ②



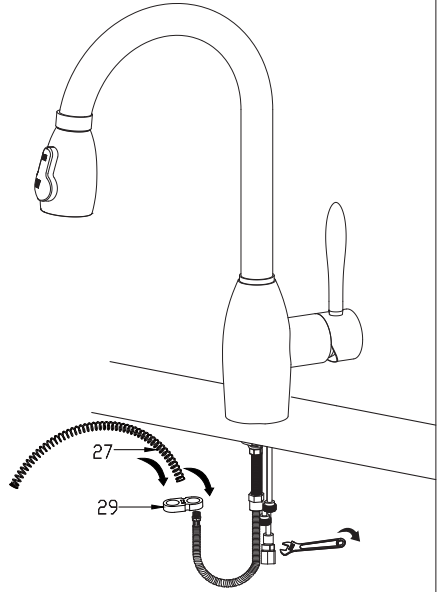
step ③



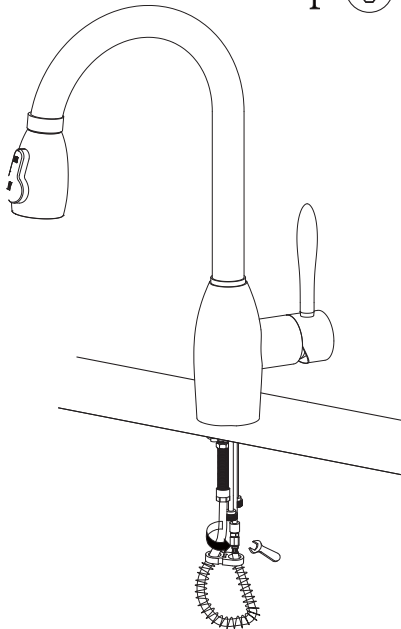
step ④



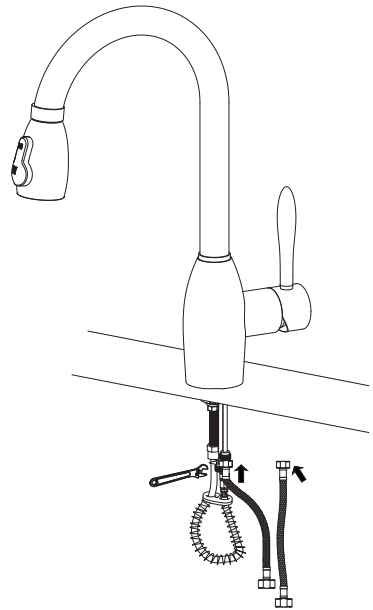
step ⑤



step ⑥



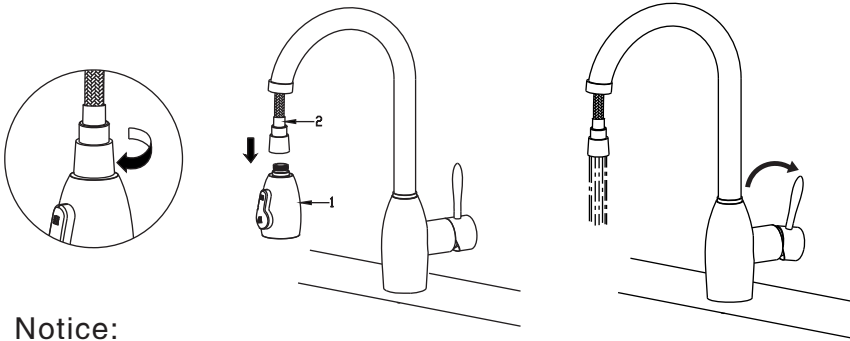
step ⑦



Step ⑧



Step ⑨



Notice:

Please removing all of the sand, silt and other things from the water hose before assembling, to avoid blocking the faucet and effecting water rate. Please use the special tools to disassemble it and wash with pneumatic equipment, if the faucet blocked.

Step ⑩

