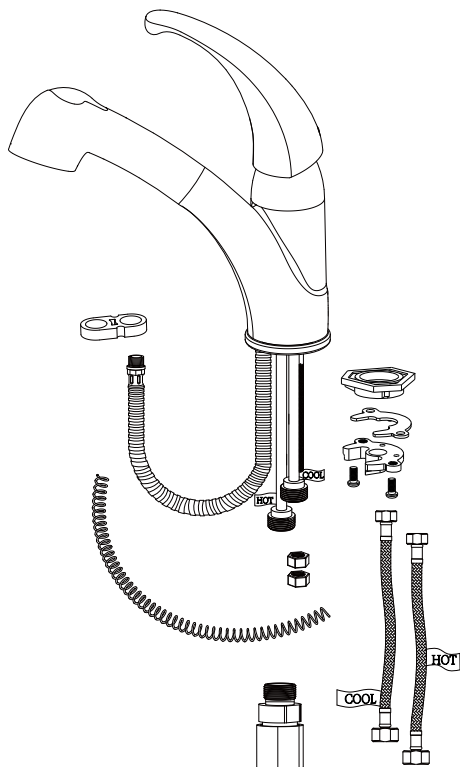


Installation Instruction

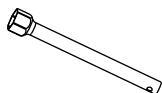
Single Lever Kitchen Faucet With Pull-out Sprayer

Before Your Installation

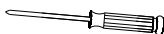
Check to make sure you have the following parts indicated below:



Tools You Will Need



Tools for loosening the hexagon nut (supplied)



Phillips screwdriver



Small spanner (Supplied)



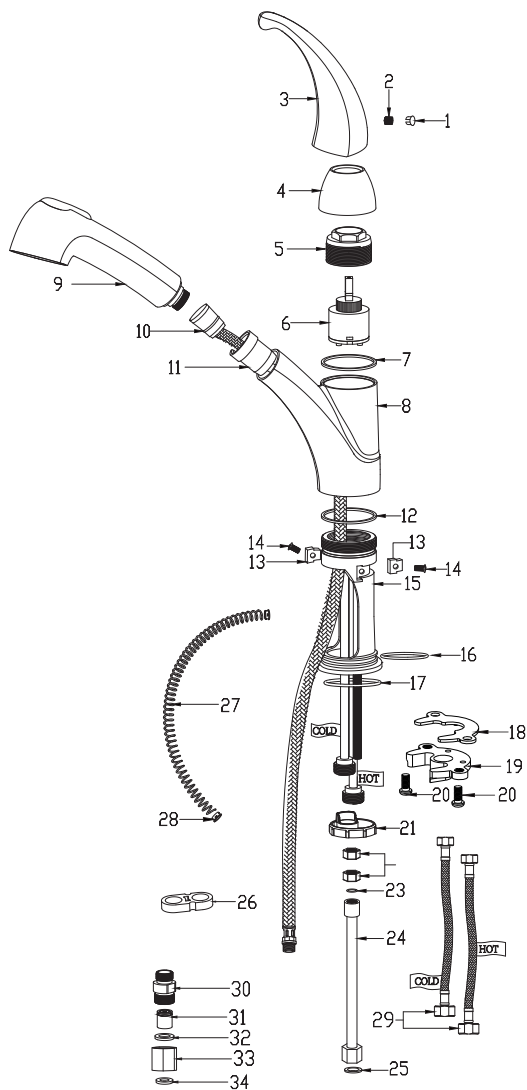
Aerator spanner (supplied)



Adjustable wrench

Replacement Parts

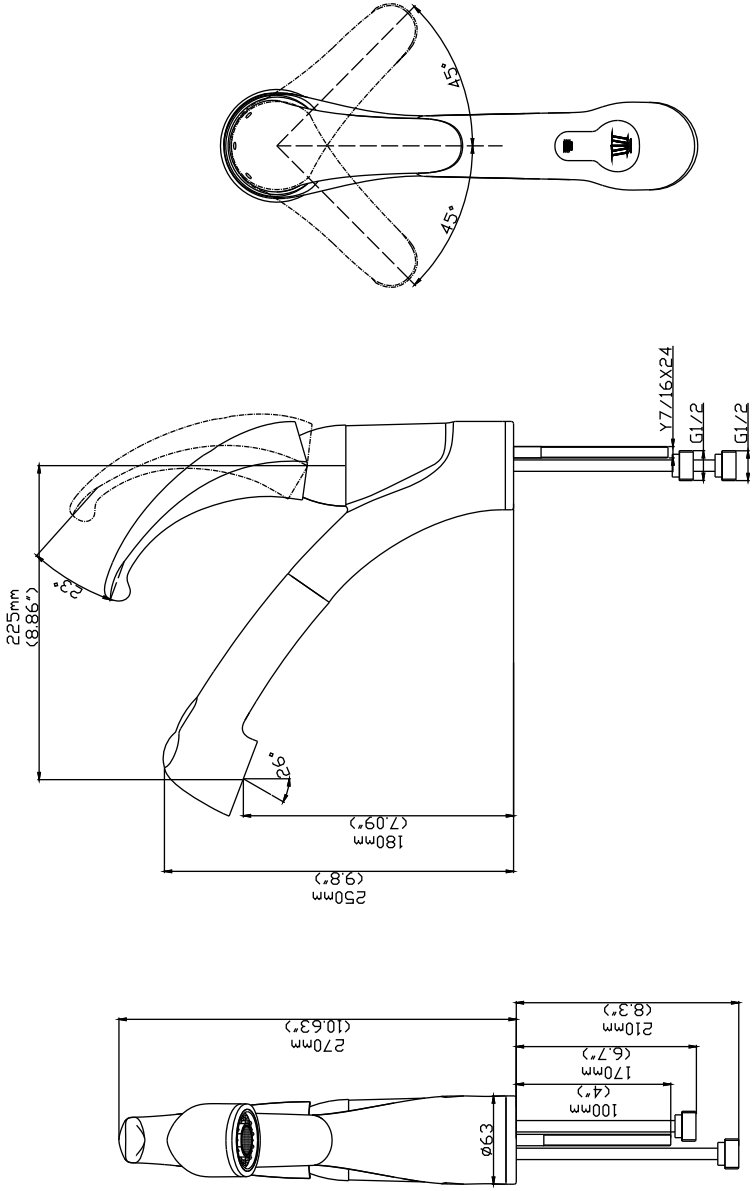
Keep this manual for ordering replacement parts.



NO NAME

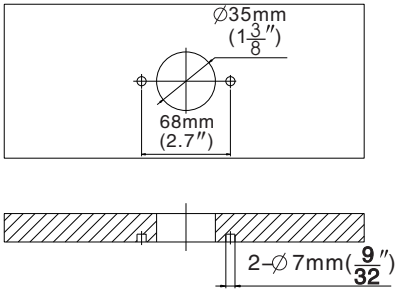
1. Cover button
2. M6 screw
3. Handle
4. Cartridge cover
5. Fastening nut
6. Cartridge
7. O-ring
8. Faucet body
9. Pull-out sprayer
10. Black nylon hose
11. Plastic sleeve
12. O-ring
13. Noise silencer
14. M4 screw
15. Faucet body
16. O-ring
17. O-ring
18. Fastening rubber
19. Fastening gasket
20. Screw
21. Plastic locating sleeve
22. Fastening nut
23. O-ring
24. Extending pipe
25. Flat gasket
26. Plastic stop collar
27. Spring
28. Anti-friction sleeve
29. hose
30. sleeve nut
31. check valve
32. Flat gasket
33. Nut
34. Flat gasket

Product Dimension Drawing

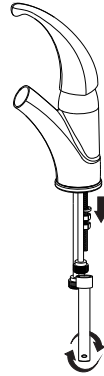


Faucet Installation Procedures

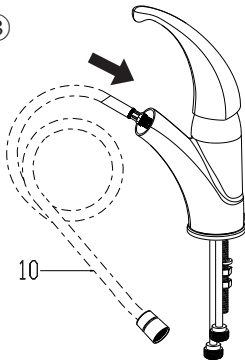
Step ①



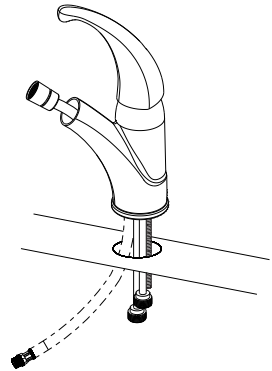
Step ②



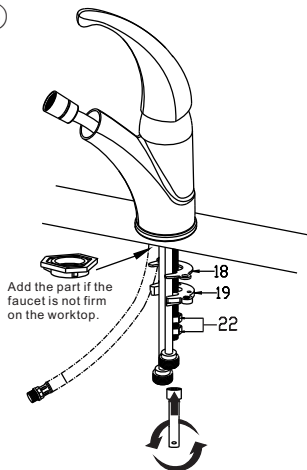
Step ③



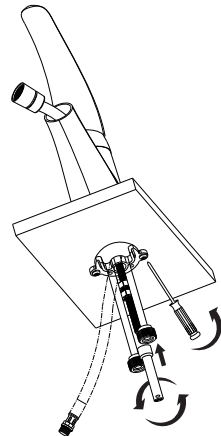
Step ④



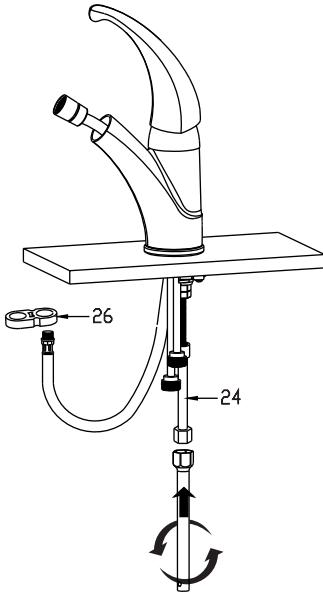
Step ⑤



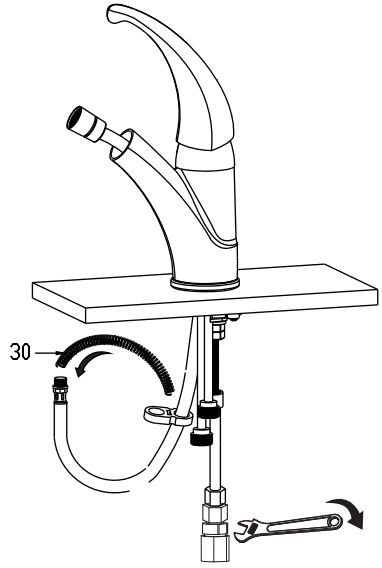
Step ⑥



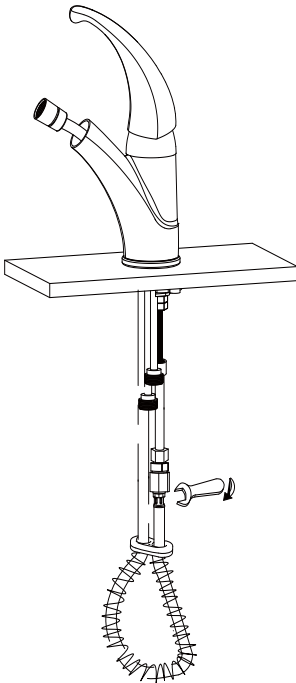
Step ⑦



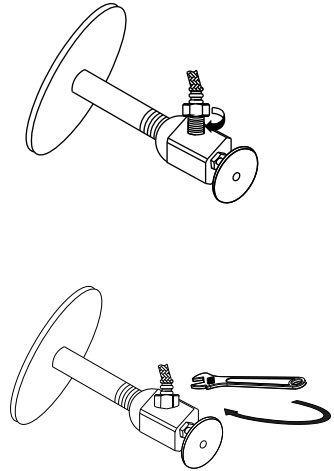
Step ⑧



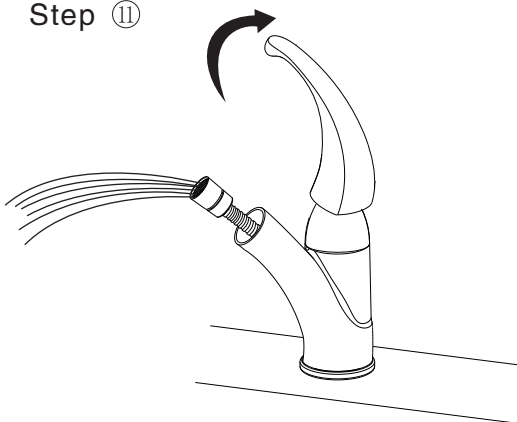
Step ⑨



Step ⑩

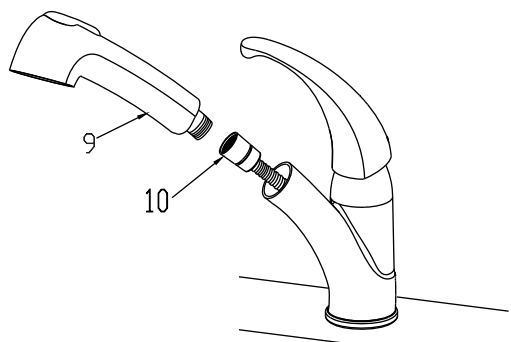
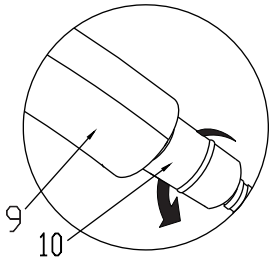


Step ⑪



Notice:
Please removing all of the sand, silt and other things from the water hose before assembling, to avoid blocking the faucet and effecting water rate. Please use the special tools to disassemble it and wash with pneumatic equipment, if the faucet blocked.

Step ⑫



Step ⑬

