

INSTALLATION INSTRUCTIONS For Models # P400-0-077

WARNING! SHUT POWER OFF AT FUSE OR CIRCUIT BREAKER.

AVERTISSEMENT! COUPER LE COURANT AU NIVEAU DES FUSIBLES OU DU DISJONCTEUR.

MOUNTING THE FIXTURE (Fig. 1)

1. Carefully remove the fixture from the carton and check that all parts are included as show in fig. 1.
2. Install the shade (I) onto the sockets (S).
3. Align the diffuser (H) to the sockets (S) and secure with washers(R) and screw shells (Q).
4. This fixture includes 1*6 " rod and 3*12 " rods. Determine the desired hanging height and attach rods (G) to fixture body (K). Feed the fixture wires carefully through each rod during assembly.
5. Attach mounting plate (B) to junction box (A) with screws (D) (size:#5/32"-32*0.5"L).
6. Lace the safety cable through the set screw assembly (to the desired length), secure to the ceiling joist and re-tighten the screws in the set screw assembly to secure the cable. Next attach the safety cable to the hanger ball with the screw provided.
7. Install the fixture body into the mounting plate (B) by tilting at a slight angle so that the hanger ball (E) slips into the mounting plate (B) as shown. Align the notch in the hanger ball (E) to the tab on the mounting plate (B) to prevent the fixture from turning.

CONNECTING THE WIRES (Fig. 2)

8. Connect the electrical wires as shown in Fig. 2, making sure that all wire connectors (G) are secured. If your outlet has a ground wire (green or bare copper), connect the fixture's ground wire to it. Otherwise, connect the fixture's ground wire directly to the circular strip using the green screw provided.
9. Tuck the wire connections neatly into the wall junction box.

FINISHING THE INSTALLATION (Fig. 1)

8. Place the Canopy (F) onto the circular strip (B) and Secure Canopy against ceiling with screws (L).
9. Put the round metal chain (M1) under the hole (K1), round metal chain (M2) under the hole (K2), round metal chain (M3) under the hole (K3) and use the screw(J) provided to fasten them
10. Install 8 * A19 60W bulbs (P) into the sockets in accordance with fixture's specifications. **(DO NOT EXCEED THE MAXIMUM WATTAGE RATING). (NE PAS DEPASSER LA PUISSANCE NOMINALE MAXIMALE!)**

Your installation is now complete. Return power to the junction box and test the fixture.

Fig.1

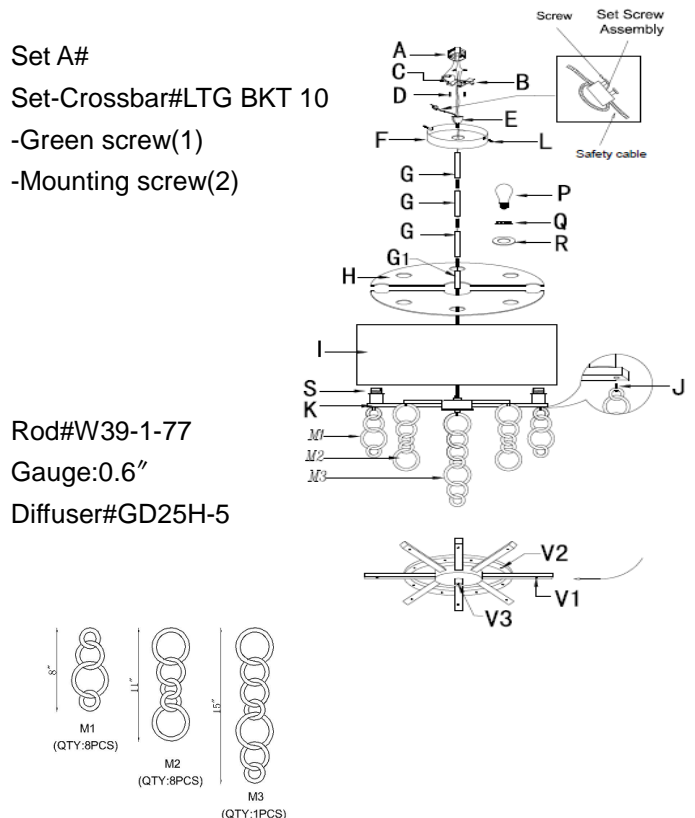
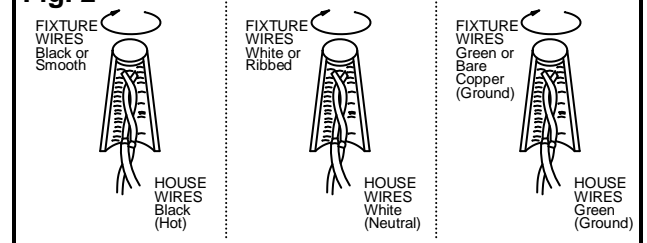
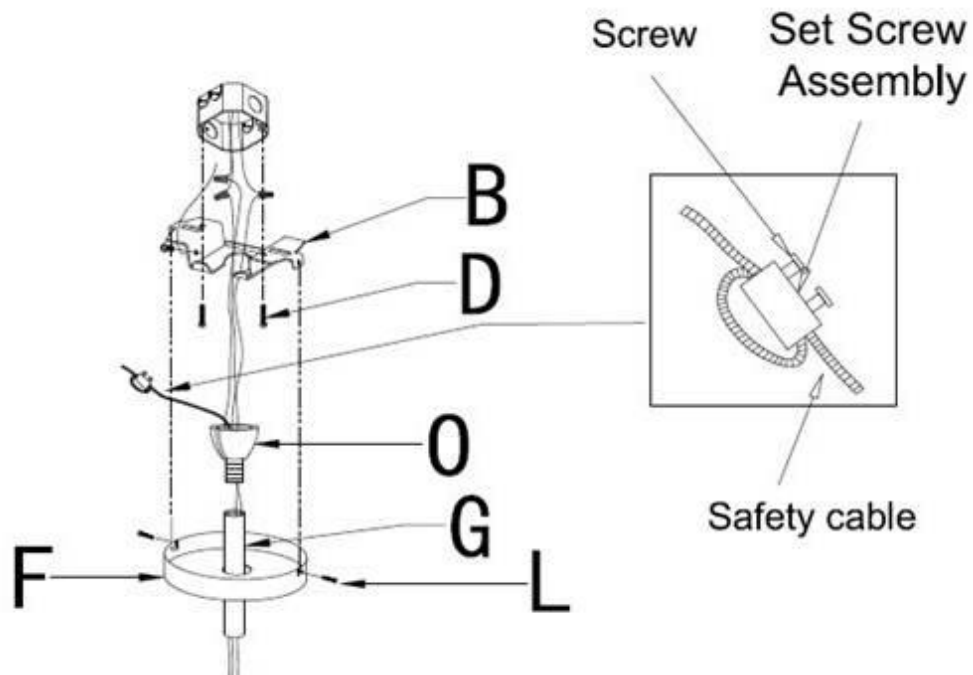


Fig. 2



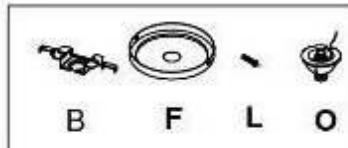
IMPORTANT: Fixture should be installed by a qualified electrician to ensure proper wiring and installation.

ITEM# P400-0-077



a. Hardware Bag:

- B. Mounting Plate*1
- F. Canopy*1
- L. Screw*2
- O. Hanger Ball*1



b. Hardware Bag:

- G1. ROD 12**3 + nipple (1)
- G2. ROD 6**1+ nipple (1)

