

# INSTALLATION INSTRUCTIONS FOR P1121-084-L

## For LED Ceiling Mount Fixture

**WARNING! SHUT POWER OFF AT FUSE OR CIRCUIT BREAKER.**

**AVERTISSEMENT ! COUPER LE COURANT AU NIVEAU DES FUSIBLES OU DODISJONCTEUR.**

### PREPARATION

1. Shut off power at the circuit breaker and remove the old fixture, including the mounting hardware.
2. Carefully remove the fixture from the carton and check that all parts are included as shown in the illustration.
3. Position mounting plate (A) on the ceiling, and mark the location of the two drywall anchors (D). Pre-drill the holes for the drywall anchors (E). Insert the drywall anchors (E) into the ceiling.
4. Attach the mounting plate (A) to the outlet box with mounting screws (C) (Size: 8-32\*1/2"L) and wood screws (D). The side of the mounting plate marked "GND" must face out.

### CONNECTING THE WIRES (Fig. 2)

5. Connect the electrical wires as shown in Fig.2, making sure that all wire nuts are secured. If your outlet has a ground wire (green or bare copper), connect the fixture's ground Wire to it. Otherwise, connect the fixture's ground wire directly to the mounting plate (A) using the green screw (B) provided.

### FINISHING THE INSTALLATION (FIG. 1)

6. Align fixture (G) to mounting plate (A) and secure with screws (F).
7. Align screws (I), steel gasket (J), plastic gasket (K) to diffuser (L) and flange (M) and then align glass (N) to flange (M) and secure with studs (P).
8. Align the glass assembly to bracket (H) and secure with screws (O).

**CAUTION /ATTENTION:** When handling the fixture, do not apply pressure to the LED's. Hold the fixture by the base or fixture (G) only.

### Replacing LED module (Fig. 3)

The LED module can be replaced by a qualified electrician without cutting of wire and without damage to any decorative element to which the fixture is attached. See installation steps for more details (Fig 3.)

**Warning: Turn off power at the circuit breaker before replacing LED module or LED driver.**

- a. Remove screws (O) on brackets (H) and then remove the glass panel (N) and diffuser (L).
- b. Remove fixture (G) from mounting plate (A) and remove wire nuts located inside the fixture (G) to disconnect the LED module.
- c. Remove screw (Q) to remove the LED module (P) from fixture (G).
- d. Reverse steps a-c for installing the new LED module.
- e. Note: The LED module should be provided by a specified supplier.
- f. For better heat dissipation the LED module (I) should be applied with thermal grease when re-lamping..

Fig.1

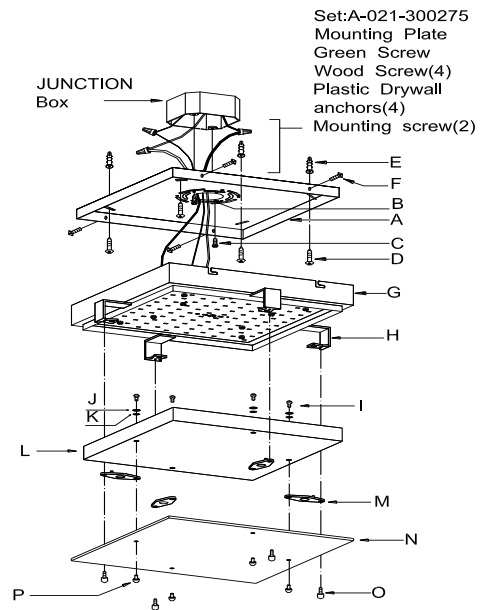


Fig.2

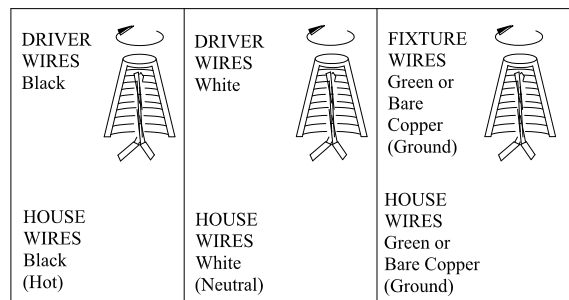
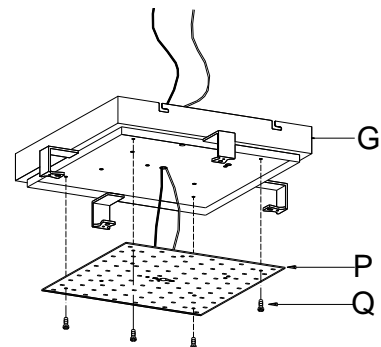


Fig 3



Brand: Lutron

Ordering Information

■ Boxed

● Clamshell

Model number	Product name	Control type	Maximum capacity
■ DVCL-153P-	Diva C-L	Single-pole/3-way dimmer-	150 W CFL/LED or 600 W Incandescent/ Halogen 120 V
● DVCL-153PH-			
■ DVSCCL-153P-	Diva C-L Satin Colors		
■ CTCL-153P-	Skylark Contour C-L		
● CTCL-153PH-			
■ AYCL-153P-	Ariadni C-L	Single-pole lamp dimmer	100W CFL/LED or 250W Incandescent/ Halogen 120v
● AYCL153PH-			
● TTCL-100H-	Credenza C-L		

**IMPORTANT:** Fixture should be installed by a qualified electrician to ensure proper wiring and installation. Dimmable with C-L (CFL & LED) type and Incandescent/Halogen type dimmers

