

# INSTALLATION INSTRUCTIONS FOR P612-0-077

For Chandelier

**WARNING! SHUT POWER OFF AT FUSE OR CIRCUIT BREAKER .**

**AVERTISSEMENT! COUPER LE COURANT AU NIVEAU DES FUSIBLES OU DU DISJONCTEUR.**

## ASSEMBLING THE FIXTURE (Fig. 1)

1. Carefully remove the fixture from the carton and check that all parts are included as show in figure 1. Be careful not to misplace any of the screws or parts that are needed to install this fixture.
2. Install the shade (I) onto the socket holders
3. Align the diffuser (H) to the socket holders (S) and secure with washer (R) and screw shell (Q),the diffuser should set as show in Fig.1-1 (top view )
4. This fixture includes 1 x 6" rod 3 x 12" rods. Determine the desired hanging height and attach rods (G) to fixture body (K). Feed the fixture wires carefully through each rod during assembly.
5. Attach the circular plate (B) to the junction box (A) with screws (D).

## CONNECTION THE WIRES (Fig. 2)

6. Connect the electrical wires as shown in Fig. 3, making sure that all wire connectors are secured. If your outlet has a ground wire (green or bare copper), connect the fixture's ground wire to it. Otherwise, connect the fixture's ground wire directly to the mounting plate using the green screw provided.
7. Tuck the wire connections neatly into the wall

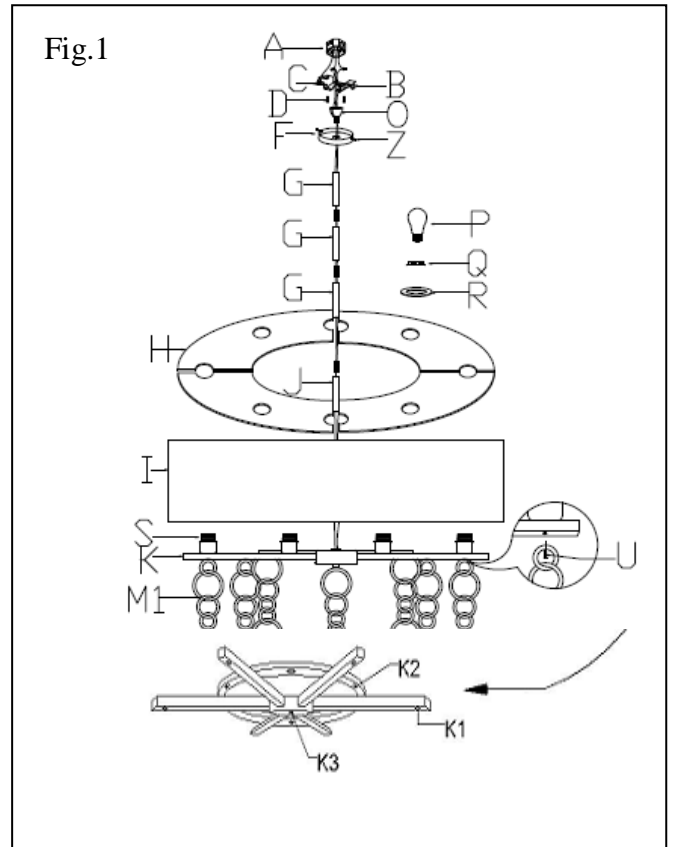
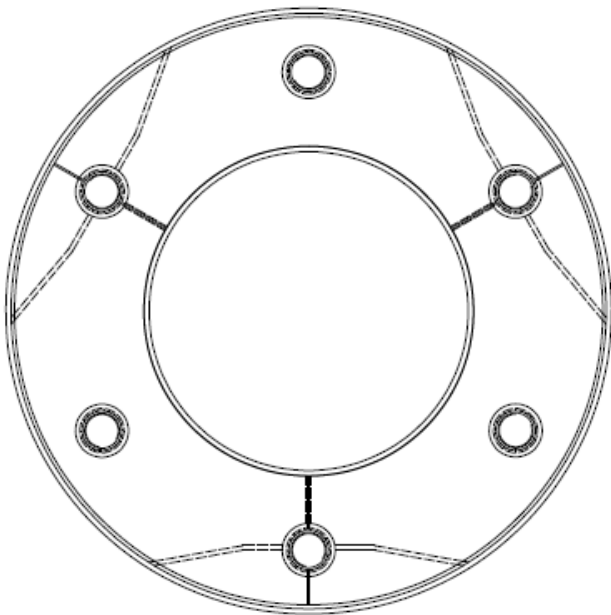
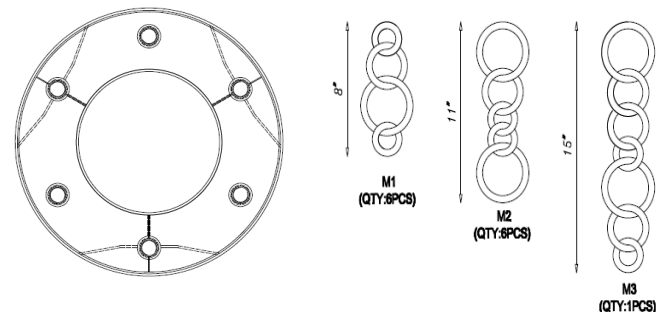


Fig.1-1

Fig.1-2



and  
role  
aws  
(P).  
HE  
IER  
ver  
/ a  
ind

Fig .2			
<b>FIXTURE WIRES</b> Black		<b>FIXTURE WIRES</b> White	
<b>HOUSE WIRES</b> Black (Hot)	<b>HOUSE WIRES</b> White (Neutral)	<b>FIXTURE WIRES</b> Green or Bare Copper 2pcs (Ground)	
		<b>HOUSE WIRES</b> Green or Bare Copper (Ground)	

