

INSTALLATION INSTRUCTIONS

For Model # P5943-077

READ AND SAVE THESE INSTRUCTIONS

WARNING! SHUT POWER OFF AT FUSE OR CIRCUIT BREAKER.

AVERTISSEMENT! COUPER LE COURANT AU NIVEAU DES FUSIBLES OU DU DISJONCTEUR.

WARNING

- Risk of shock, do not supply power to fixture before assembly is complete.
- Do not exceed the maximum wattage rating

MOUNTING INSTRUCTIONS

1. Shut off power at the circuit breaker and remove the old fixture and Mounting Hardware.
2. Carefully unpack your new fixture and lay out all the parts on a clear area. Take care not to lose any small parts necessary for installation.
3. Position the Mounting Plate (A) on the wall, and mark the location of the two drywall anchors (G). Pre-drill the holes for the drywall anchors (G) and Insert the drywall Anchors into the wall.
4. Attach the Mounting Plate (A) to the Outlet box using the two screws (B). The side of the mounting plate marked "GND" must face out.
5. Place the Wood Screws (H) through the mounting plate and into the Plastic Anchors (G) to secure the Mounting Plate (A).
6. Pass all the electrical wires through the Mounting bracket.

CONNECTING THE WIRES (Fig. 1)

7. Connect the electrical wires as shown in Fig. 1, making sure that all wire connectors (D) are secured. If your outlet has a ground wire (green or bare copper), connect the fixture's Ground Wire to it. Otherwise, connect the fixture's Ground Wire directly to the Mounting Bracket or Reinforcement Plate using the Green Screw provided.

FINISHING THE INSTALLATION

8. Place the glass (F) over the socket. Make sure it is well centered. Use screw (E) to fix the glass to the fixture body. Make sure not to over tighten.
9. Fasten the fixture body onto the mounting plate using screws (C).
10. Install 3*60w G9 Xenon Light Bulbs in accordance with the lamp's specifications. **(DO NOT EXCEED THE MAXIMUM WATTAGE RATING!). (NE PAS DEPASSER LA PUISSANCE NOMINALE MAXIMALE!)**

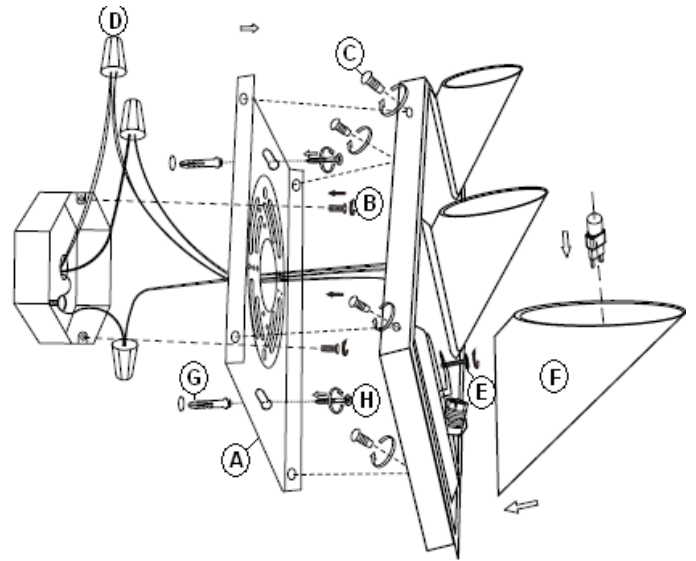
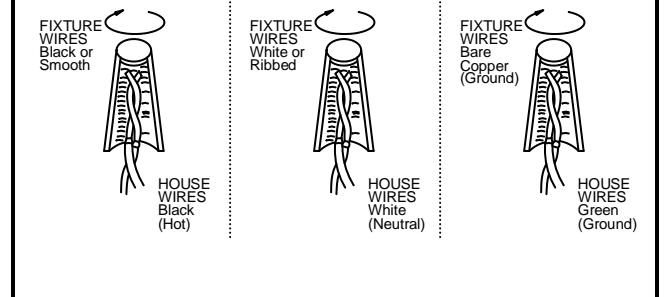


Fig. 1



american
lighting
association

IMPORTANT: FIXTURE SHOULD BE INSTALLED BY A QUALIFIED ELECTRICIAN TO ENSURE PROPER WIRING AND INSTALLATION.

*****Caution, to avoid being burned, wait for the fixture to cool, prior to replacing the light bulbs. *****