

# INSTALLATION INSTRUCTIONS FOR P400-5/P612-5

For Chandelier

**WARNING! SHUT POWER OFF AT FUSE OR CIRCUIT BREAKER .**  
**AVERTISSEMENT! COUPER LE COURANT AU NIVEAU DES FUSIBLES OU DU DISJONCTEUR.**

## ASSEMBLING THE FIXTURE (Fig. 1)

- Carefully remove the fixture from the carton and check that all parts are included as show in figure 1. Be careful not to misplace any of the screws or parts that are needed to install this fixture.
- Install the shade (I) onto the socket holders. Align the diffuser (H) to the socket holders (S) and secure with washers (R) and screw shell (Q). The diffuser should set as show in Fig.1-1 (top view).
- This fixture includes 1 x 6" rod 3 x 12" rods. Determine the desired hanging height and attach rods (G) to fixture body (K). Feed the fixture wires carefully through each rod during assembly.
- Next place canopy (F) over rods (G) and thread hanger ball (O) to rod (G). Please remove the nipple if installing with one 6" rod only.
- Attach the circular plate (N) to the junction box (A) with screws (D) (size: #5/32"-32\*0.5"L.).
- While holding the fixture body, install the fixture into the mounting plate (N) by tilting at a slight angle so that the hanger ball (O) slips into the mounting plate (N) as shown. Align the notch in the hanger ball (O) to the tab on the mounting plate (N) to prevent the fixture from turning.

## CONNECTION THE WIRES (Fig. 2)

- At this point, connect the electrical wires as shown in figure 2, making sure that all wire connectors are secured. If your outlet has a ground wire (green or bare copper), connect the ground wires from the hanger ball and mounting plate to it. Otherwise, connect the ground wire from the hanger ball directly to the mounting plate ground wire and secure with the wire connectors provided. After wires are connected, tuck them carefully into the ceiling junction box.

## FINISHING THE INSTALLATION (Fig.3)

- Place canopy (F) over the mounting plate (N) and secure with screws (Z).
- Secure chain (M1) to hole (V1), chain (M2) to hole (V2), and chain (M3) to hole (V3) with the screws provided (Fig.1-2)
- Install the bulbs (P) into sockets (S). (4 × Max 100W) **DO NOT EXCEED THE SPECIFIED WATTAGE! (NE PAS DEPASSER LA PUISSANCE NOMINALE MAXIMALE!)**

Your installation is now complete. Return power to the junction box and test the fixture.

**IMPORTANT: Fixture should be installed by a qualified electrician to ensure proper wiring and installation.**

Fig.1

Set A #

Set-Crossbar # LTG BKT 1

-Green screw(1)

-Mounting screw(2)

Rod # W35-1-613

Gauge 0.6"

Diffuser # GD15H-D

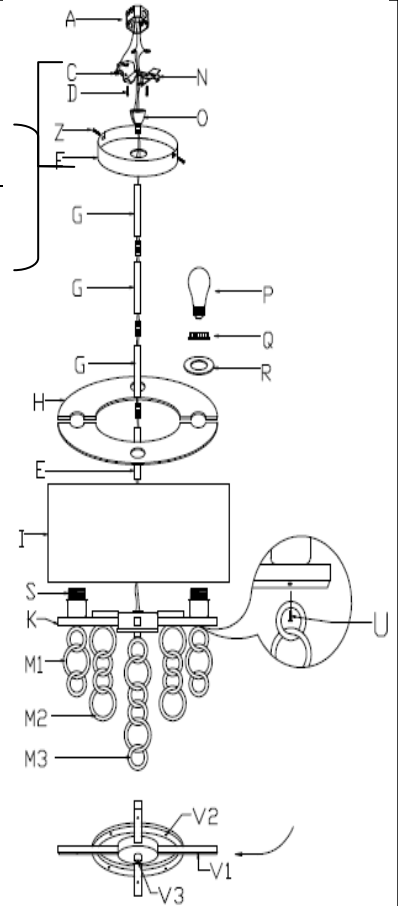


Fig.1-1

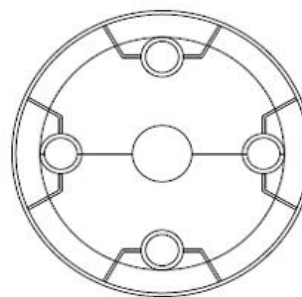


Fig.1-2

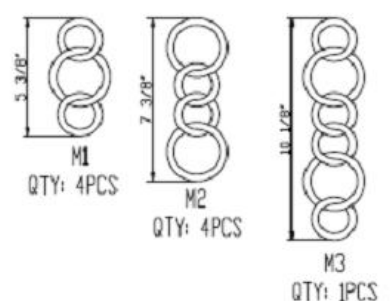


Fig.2

FIXTURE WIRES  
Black



HOUSE WIRES  
Black  
(Hot)

FIXTURE WIRES  
White



HOUSE WIRES  
White  
(Neutral)

FIXTURE WIRES  
Green or Bare  
Copper 2pcs  
(Ground)

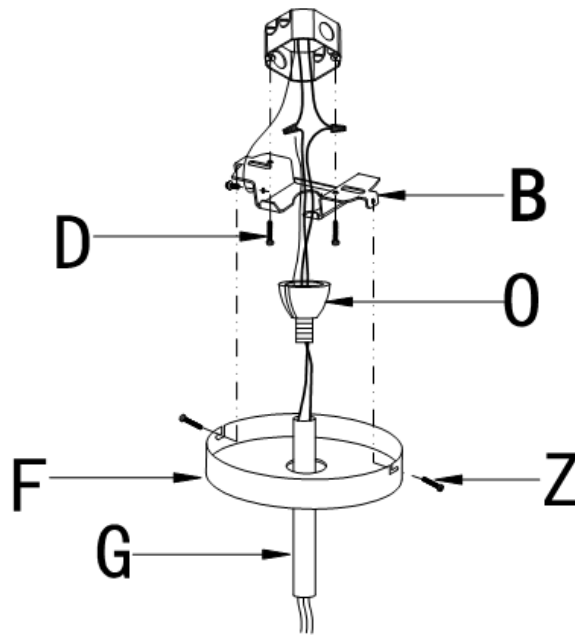


HOUSE WIRES  
Green or  
Bare Copper  
(Ground)



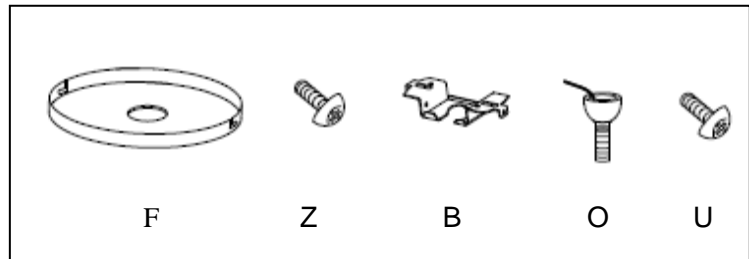
Item# P400-5-077

Fig.3



a. Hardware Bag:

- F. Canopy\*1
- Z. Screw\*2
- B. Mounting Plate\*1
- O. Hanger Ball\*1
- U. Screw\*9



b. Hardware Bag:

- G. Rod 12"\*3
- J. Rod 6"\*1

