

INSTALLATION INSTRUCTIONS FOR P1920-726-L

For LED Wall Mount Fixture

WARNING! SHUT POWER OFF AT FUSE OR CIRCUIT BREAKER.

AVERTISSEMENT! COUPER LE COURANT AU NIVEAU DES FUSIBLES OU DO DISJONCTEUR

MOUNTING THE FIXTURE (Fig. 1)

1. Shut off power at the fuse box or circuit breaker box. If necessary, remove the existing fixture and its mounting hardware.
2. Carefully remove the new fixture from the carton and check that all parts are included as shown in the illustration.
3. Carefully separate LED box (K) and glass box (G). Place glass box (G) onto all thread (U) on fixture body (F), add 2pcs spring washers (H) and hex nut (I) and tighten with tool (T) provided. (Do not over tighten).
4. Connect plug (J2) and plug (J1) together. Place LED box (K) on glass box (G). Secure using allen wrench (S) to tighten screws (L).
5. Attach mounting plate (A) to the junction box (not included) using mounting screws (C) (Size: 8-32*1/2"L). The side of the mounting plate (A) marked "GND" must face out.

CONNECTION THE WIRES (Fig. 2)

6. Connect the electrical wires as shown in Fig.2, making sure that all wire connectors are secured. If your junction box has a ground wire (green or bare copper), connect the fixture's ground wire to it. Otherwise, connect the fixture's ground wire directly to the mounting plate (A) using the green screw (B) provided.

FINISHING THE INSTALLATION (Fig. 1)

7. Align canopy (E) onto mounting plate (A) and secure with screws (D).
8. Rotate glass box (G) to your suitable position. (**Please note that the maximum adjustment angle is 180 degrees**)

Your installation is now complete. Return power to the junction box and test the fixture.

CAUTION /ATTENTION: When handling the fixture, do not apply pressure to the LEDs. Hold the fixture by the base or fixture body only.

Replacing LED module (Fig.3)

The LED module can be replaced by a qualified electrician without cutting the wires and without damaging the decorative element to which the fixture is attached. See installation steps for more details (Fig 3.)

Warning: Turn off power at the fuse box or circuit breaker before replacing the LED module.

- a. Shut off the power.
- b. Loosen screws (D) and disconnect wire connectors to remove fixture from wall. (Fig.1)
- c. Loosen screws (L) using allen wrench (S). Carefully remove LED box (K). Disconnect plug (J1) & (J2). Loosen screw (M) and plastic sheet (N). Remove decorative cover (O). Loosen hex nut (P) and plastic washer (Q) and carefully remove LED module (R).
- d. Reverse steps a-c for installing the new LED module.

Note: The LED module should be provided by a specified supplier.

Fig.1

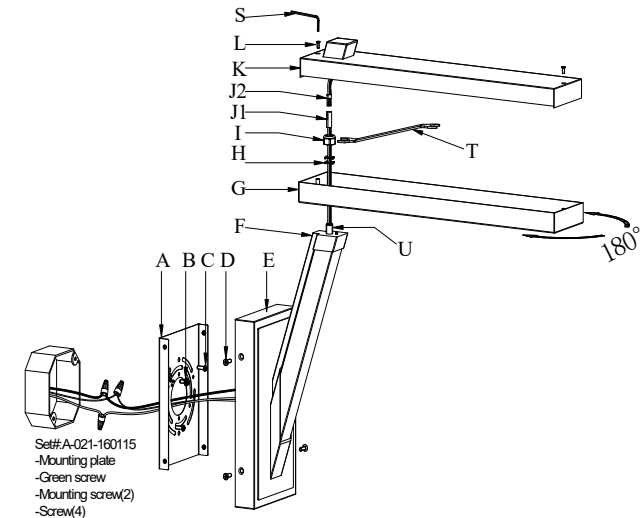


Fig.2

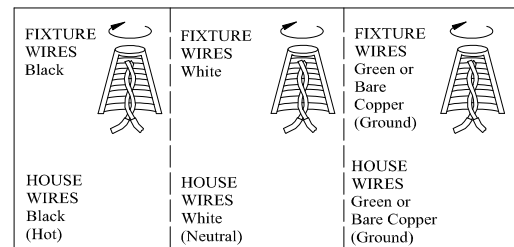
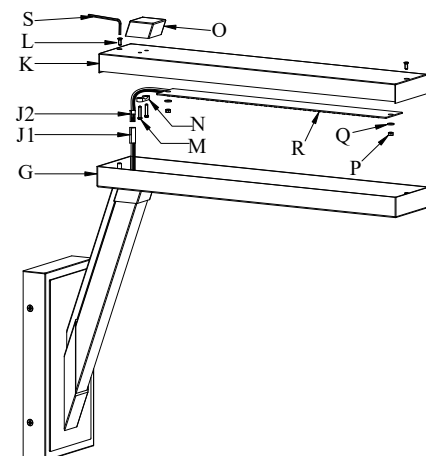


Fig.3



IMPORTANT: Fixture should be installed by a qualified electrician to ensure proper wiring and installation.
Dimmable with ELV and/or LED compatible wall dimmer switches.

