

INSTALLATION INSTRUCTIONS

Item#P1885 (New. 2023/8/2)

READ AND SAVE THESE INSTRUCTIONS

WARNING! SHUT POWER OFF AT FUSE OR CIRCUIT BREAKER.

AVERTISSEMENT! COUPER LE COURANT AU NIVEAU DES FUSIBLES OU DU DISJONCTEUR.

MOUNTING THE FIXTURE (Fig.1)

1. Shut off power at the fuse box or circuit breaker box and remove the old fixture including the mounting hardware.
2. Carefully unpack your new fixture and lay out all the parts in a clear area. Take care not to misplace any small parts necessary for installation.

CONNECTING THE WIRES (Fig. 2)

3. Connect electrical wires as shown in Fig. 2, making sure that all wire connectors are secured. If your outlet box has a ground wire (green or bare copper), connect fixture's ground wire to it. Tuck wire connections neatly into the outlet box.
4. Attach back plate (A) to the outlet box (not included) using mounting screws (B) (Size: #8-32N*L1").

FINISHING THE INSTALLATION (Fig.1)

5. Install (2) two candelabra base bulbs (C) up to 40 watts each or CFL or LED equivalent (not included) in accordance with the fixture specification—**DO NOT EXCEED THE MAXIMUM WATTAGE RATING! (NE PAS DEPASSER LA PUISSANCE NOMINALE MAXIMALE!)**
6. Place cement shade (D) over back plate (A) and secure with screws (E).

Your installation is now complete. Return power to the outlet box and test the fixture.

Note: Illustration (Fig.1) on this manual is for installation purposes only. It may or may not be identical to the fixture purchased.

Min 90°C supply conductors.

Fig. 1

-Mounting Screw *2

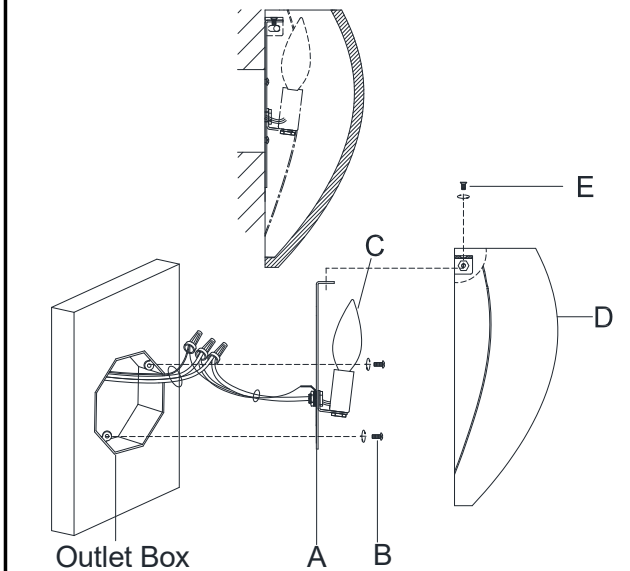


Fig. 2

