

# INSTALLATION INSTRUCTIONS FOR P1648-895-L P1649-695-L For LED Island

## READ AND SAVE THESE INSTRUCTIONS

**WARNING! SHUT POWER OFF AT FUSE OR CIRCUIT BREAKER**  
**AVERTISSEMENT! COUPER LE COURANT AU NIVEAU DES FUSIBLES OU DU DISJONCTEUR**

### ASSEMBLING THE FIXTURE (Fig.1)

1. Shut off power at the fuse box or circuit breaker box. If necessary, remove the existing fixture and its mounting hardware.
2. Carefully remove the new fixture from the carton and check that all parts are included as shown in the illustration.
3. Position the mounting plate (B) onto the ceiling and mark the location of four drywall anchors (A). Pre-drill the holes for drywall anchors (A) and insert four drywall anchors (A) into the ceiling.
4. Attach mounting plate (B) to the junction box (not included) with mounting screws (D) (size: 8-32\*1/2"L). The side of the mounting plate (B) marked "GND" must face out.
5. Place wood screws (C) through mounting plate (B) and into drywall anchors (A).
6. This fixture includes two 6" and six 12" rods. Determine the desired hanging height and connect rods (K1: W30-1-783 and K2: W30-H-783). Feed the fixture wire carefully through each rod.
7. Secure swivel (J) to the last section of rod (K).
8. Slide faceplate (H) onto two swivels (J) and secure tightly with lock washers (G) and hex nuts (F).
9. Use wire nuts to connect red output wire (marked output +) from driver to two red LED wires (marked LED +) from led module. Connect black output wire (marked output -) from driver to two black LED wires (marked LED -) from led module.
10. The support cable is provided to support the weight of the fixture while wiring. Align the fixture to mounting plate (B) and attach hook (M) on the end of support cable (N) into a slot located on mounting plate (B). Carefully allow the support cable (N) to support the weight of the fixture while wiring.

### CONNECTING THE WIRES (Fig.2)

11. Connect the electrical wires as shown in Fig.2, making sure that all wire connectors are secured. If your junction box has a ground wire (green or bare copper), connect fixture's ground wire to it. Otherwise, connect the fixture's ground wire directly to the mounting plate (B) using the green screw (E) provided.

### COMPLETING THE INSTALLATION

12. Raise faceplate (H) to mounting plate (B) and secure with screws (I).

Your installation is now complete. Return power to the junction box and test the fixture.

**IMPORTANT:** Fixture should be installed by a qualified electrician to ensure proper wiring and installation.

**Dimmable with ELV and/or LED compatible wall dimmer switches**

Fig.1

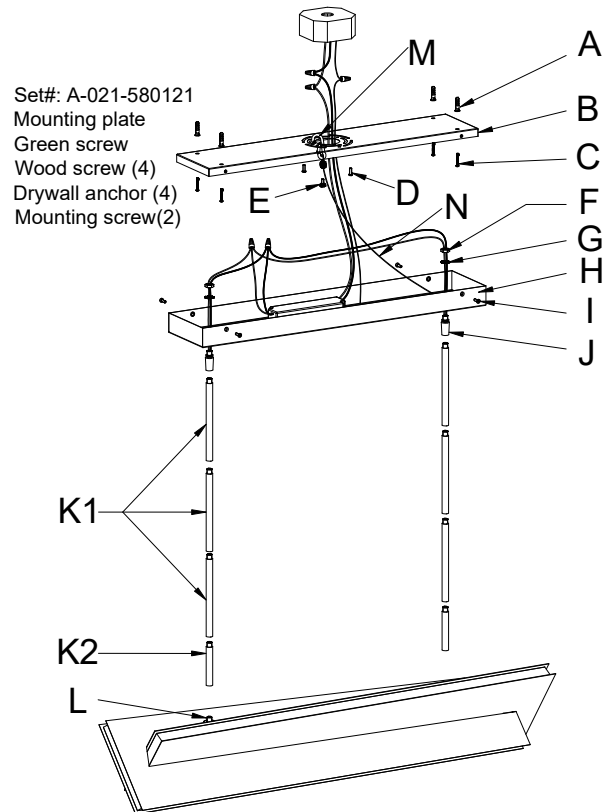


Fig.2

