

INSTALLATION INSTRUCTIONS FOR

Item#P5580-66A-L P5581-66A-L P5582-66A-L (Rev. 03/09/2023)

READ AND SAVE THESE INSTRUCTIONS

WARNING! SHUT POWER OFF AT FUSE OR CIRCUIT BREAKER.
AVERTISSEMENT! COUPER LE COURANT AU NIVEAU DES FUSIBLES OU DU DISJONCTEUR.

PREPARATION

1. Shut off power at the fuse box or circuit breaker box. If necessary remove the old fixture and mounting hardware.
2. Carefully unpack your new fixture and lay out all the parts on a clear area. Take care not to lose any small parts necessary for installation.

MOUNTING THE FIXTURE (FIG. 1)

3. Secure mounting plate (A) to junction box (not included) using outlet box screws (B) (Size: #8-32N*L1). The side of mounting plate (A) marked "GND" must face out.

CONNECTING THE WIRES (FIG. 2)

4. Connect the electrical wires as shown in Fig. 2, making sure that all wire connectors are secured. If your junction box has a ground wire (green or bare copper), connect the fixture's ground wire to it. Otherwise, connect the fixture's ground wire directly to the mounting plate (A) using the green screw provided. After wires are connected, tuck them carefully inside the junction box.

COMPLETING THE INSTALLATION (Fig.1)

5. Place back plate (C) over mounting plate (A) and secure with screws (D).

Note: Illustration (Fig. 1) on this manual is for installation purpose only. It may or may not be identical to the fixture purchased.

IMPORTANT: Fixture should be installed by a qualified electrician to ensure proper wiring and installation.

Dimmable with ELV and/or LED compatible wall dimmer switch.

Fig.1

- Set #A-020-119A
- Mounting plate
 - Outlet box screw*2pcs
 - Ground Screw

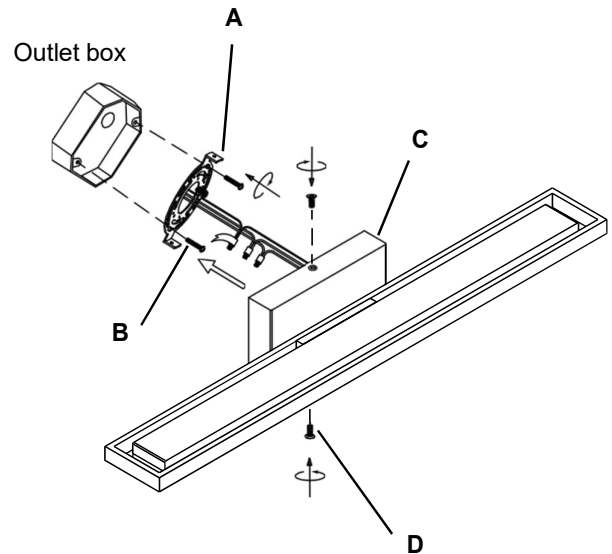


Fig. 2

