

INSTALLATION INSTRUCTIONS

Item# P5563-066-L (New. 2023/02/02)

READ AND SAVE THESE INSTRUCTIONS

WARNING! SHUT POWER OFF AT FUSE OR CIRCUIT BREAKER.

AVERTISSEMENT! COUPER LE COURANT AU NIVEAU DES FUSIBLES OU DU DISJONCTEUR.

ASSEMBLING THE FIXTURE (Fig.1)

1. Shut off power at the fuse box or circuit breaker. If necessary, remove the old fixture including the mounting hardware.
2. Carefully remove the fixture from the carton and check that all parts are included as show in Figure 1.
3. Unscrew screws (C) and rubber washers (R). Separate mounting plate (A) from fixture (D).
4. Position mounting plate (A) on the wall and mark the location of four drywall anchors (P). Pre-drill the holes for the drywall anchors (P). Insert drywall anchors (P) into the wall
5. Attach mounting plate (A) to the junction box (not included) with junction box screws (B) (size: 8-32*1/2"L). The side of the mounting plate (A) marked "GND" must be face out.
6. Place woodscrews (Q) through holes into drywall anchor (P) to secure mounting plate (A) as shown in Fig.1.

CONNECTION THE WIRES (Fig. 2)

7. Connect the electrical wires as shown in Fig.2, making sure that all wire connectors are secured. If your junction box has a ground wire (green or bare copper), connect the fixture's ground wire to it. Otherwise, connect the fixture's ground wire directly to mounting plate (A) using the green screw provided. Tuck the wire connections neatly into the junction box.

FINISHING THE INSTALLATION (Fig. 1)

8. Align fixture (D) onto mounting plate (A) and secure with screws (C) and rubber washers (R) provided.
9. To prevent moisture from entering the junction box and causing a short circuit, use clear caulking (i.e. Indoor/Outdoor silicone sealant) to outline the outside of fixture (D) where it meets the wall leaving a space at bottom to allow moisture a means to escape (Fig.3).

Your installation is now complete. Return power to the junction box and test the fixture.

CAUTION /ATTENTION: When handling the fixture, do not apply pressure to the LED. Hold the fixture by the base or back plate only.

Replacing LED module (Fig. 4)

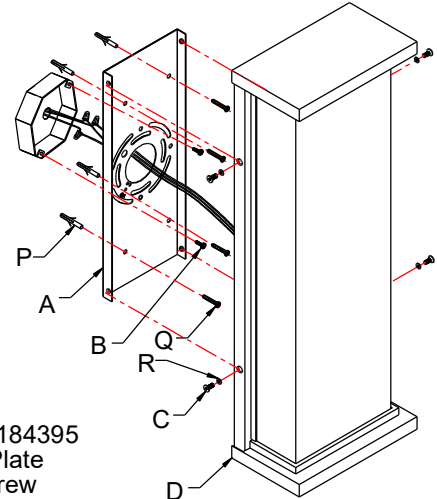
The LED module can be replaced by a qualified electrician without cutting of wire and without damage to any decorative element to which the fixture is attached. See installation steps for more details (Fig. 4)

Warning: Turn off power at the circuit breaker before replacing LED module.

- a. To remove the fixture from the wall, loosen screws (C) and rubber washers(R). Remove the wire connectors and place the fixture on a clear flat surface (Fig.1).
- b. Loosen screws (E) to separate lamp body (O) and glass shade (N).
- c. Loosen screws (M), remove rubber washers (L), and hex nuts (F) to separate glass panel (K) from LED housing (H).
- d. Loosen screws (J) and hex nuts (G) and carefully remove LED module (I) from LED housing (H).
- e. Reverse steps a-d for installing the new LED module.

Note: The LED module should be provided by a specified supplier.

Fig. 1



Set# A-021-184395
- Mounting Plate
- Ground Screw
- Mounting Screw*2

Fig. 2

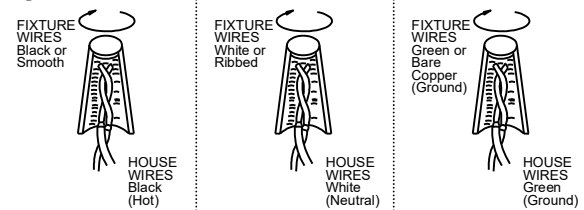


Fig. 3

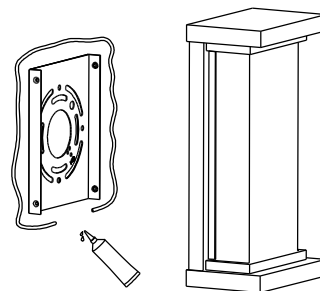
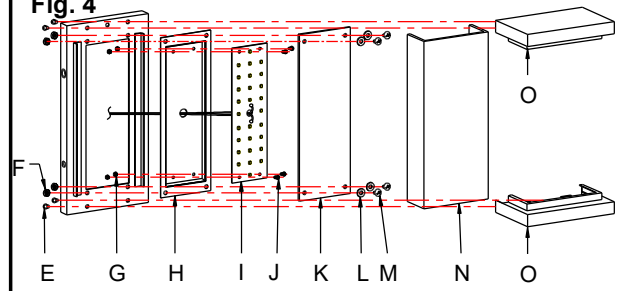


Fig. 4



IMPORTANT: Fixture should be installed by a qualified electrician to ensure proper wiring and installation.

Dimmable with ELV and/or LED compatible wall dimmer switches.



LA-3603E