

# INSTALLATION INSTRUCTIONS FOR P5540-66A-L

## For LED Pendant

### READ AND SAVE THESE INSTRUCTIONS

**WARNING! SHUT POWER OFF AT FUSE OR CIRCUIT BREAKER**  
**AVERTISSEMENT! COUPER LE COURANT AU NIVEAU DES FUSIBLES OU DO DISJONCTEU**

#### ASSEMBLING THE FIXTURE (Fig.1)

1. Shut off power at the fuse box or circuit breaker box and remove the old fixture including the mounting hardware.
2. Carefully unpack your new fixture and lay out all the parts in a clear area. Take care not to misplace any small parts necessary for installation.
3. Attach mounting plate (A) to junction box (not included) using mounting screws (C) (Size: 8-32\*1/2"L). The side of mounting plate (A) marked "GND" must face out.
4. Adjust strainers (F) to your desired length.

#### CONNECTING THE WIRES (Fig.2)

5. Connect the electrical wires as shown in Fig.2, making sure that all wire connectors are secured. If your junction box has a ground wire (green or bare copper), connect fixture's ground wire to it. Otherwise, connect the fixture's ground wire directly to mounting plate (A) using the green screw (B) provided.

#### COMPLETING THE INSTALLATION

6. Align canopy (E) onto mounting plate (A) and secure with screws (D).
7. Adjust the angle of LED disk (G) to the appropriate position you desire (**CAUTION:** Please adjust in the direction of the arrow) (the maximum adjustment angle of LED disk (G) is 180 degrees, please be careful not to use too much force)

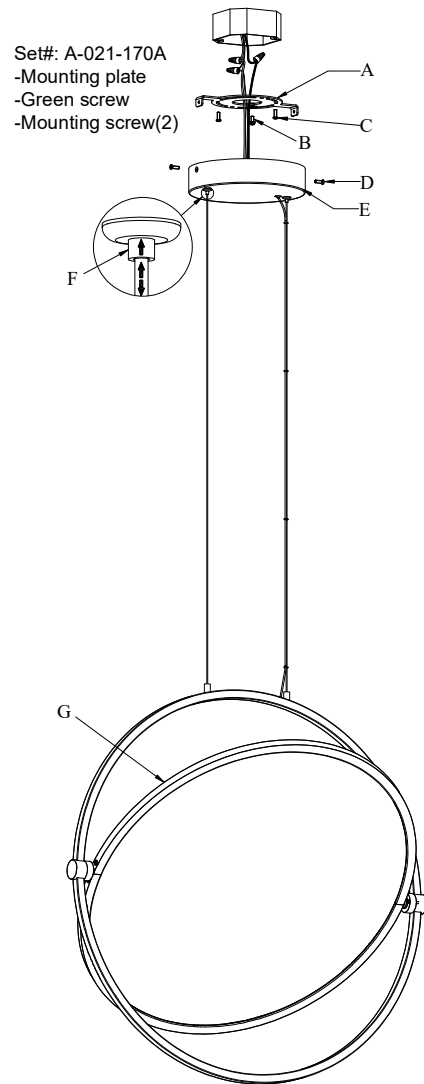
Your installation is now complete. Return power to the junction box and test the fixture.

**CAUTION /ATTENTION:** When handling fixture, do not apply pressure to LEDs. Hold fixture by the base only.

**IMPORTANT:** Fixture should be installed by a qualified electrician. to ensure proper wiring and installation.

**Dimmable with ELV and/or LED compatible wall dimmer switches.**

**Fig.1**



**Fig.2**

<b>FIXTURE WIRES</b> Black or Smooth	<b>FIXTURE WIRES</b> WHITE OR RIBBED	<b>FIXTURE WIRES</b> Green or Bare Copper (Ground)
<b>HOUSE WIRES</b> Black (Hot)	<b>HOUSE WIRES</b> White (Neutral)	<b>HOUSE WIRES</b> Green or Bare Copper (Ground)

