

INSTALLATION INSTRUCTIONS

Item#P5530-420 (New. 2023/02/27)

READ AND SAVE THESE INSTRUCTIONS

WARNING! SHUT POWER OFF AT FUSE OR CIRCUIT BREAKER.

AVERTISSEMENT! COUPER LE COURANT AU NIVEAU DES FUSIBLES OU DU DISJONCTEUR.

MOUNTING THE FIXTURE (Fig.1)

1. Shut off power at the fuse box or circuit breaker box and remove the old fixture including the mounting hardware.
2. Carefully unpack your new fixture and lay out all the parts in a clear area. Take care not to misplace any small parts necessary for installation.
3. Loosen screws (C) to remove mounting plate (A) and metal shade (G) from fixture body (D).
4. Position mounting plate (A) on the wall and mark the location of two drywall anchors (E). Pre-drill the holes for the drywall anchors (E). Insert the drywall anchors (E) into the wall.
5. Attach mounting plate (A) to the junction box (not included) using mounting screws (B). The side of the mounting plate (A) marked "GND" must face out.
6. Place woodscrews (F) through holes into drywall anchor (E) to secure mounting plate (A) as shown in Fig.1.
7. Place candle cover (H) over the socket of fixture body (D).
8. Install (2) two candelabra base bulbs (I) up to 60 watts each or CFL or LED equivalent (not included) in accordance with the fixture specification. **—DO NOT EXCEED THE MAXIMUM WATTAGE RATING! (NE PAS DEPASSER LA PUISSANCE NOMINALE MAXIMALE!)**

CONNECTING THE WIRES (Fig. 2)

9. Connect the electrical wires as shown in Fig. 2, making sure that all wire connectors are secured. If your outlet box has a ground wire (green or bare copper), connect the fixture's ground wire to it. Otherwise, connect the fixture's ground wire directly to the mounting plate (A) using the green screw provided. After the wires are connected, tuck them carefully inside the junction box.

FINISHING THE INSTALLATION (Fig.1).

10. Place metal shade (G) and fixture body (D) over mounting plate (A) and secure with screws (C).

Your installation is now complete. Return power and test the fixture.

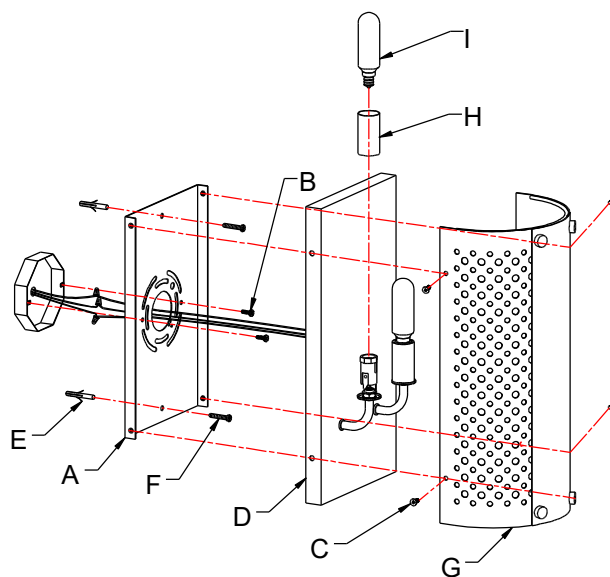
Note: Illustration (Fig.1) on this manual is for installation purposes only. It may or may not be identical to the fixture purchased.

MIN 75°C SUPPLY CONDUCTORS

Fig. 1

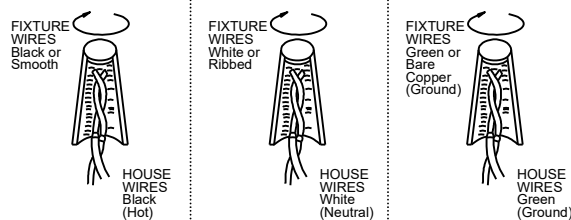
Set#A-021-266168

- Mounting plate
- Ground screw
- Mounting screw*2



Candle Cover#CCV24048P-66

Fig. 2



LA-3606E



american lighting association