

# INSTALLATION INSTRUCTIONS

Item# P1210-066-L

READ AND SAVE THESE INSTRUCTIONS

**WARNING! SHUT POWER OFF AT FUSE OR CIRCUIT BREAKER.**  
**AVERTISSEMENT! COUPER LE COURANT AU NIVEAU DES FUSIBLES OU DU DISJONCTEUR.**

## ASSEMBLING THE FIXTURE (Fig.1)

- 1 Shut off power at the fuse box or circuit breaker. If necessary, remove the old fixture including the mounting hardware.
- 2 Carefully remove the fixture from the carton and check that all parts are included as show in Figure 1.
- 3 Loosen screws (D) and rubber washer (E). Separate mounting plate (A) from backplate (C).
- 4 Attach mounting plate (A) to junction box (Not included) with mounting screws (B) (size: 8-32\*1/2"L). The side of the mounting plate (A) marked "GND" must be face out.

## CONNECTION THE WIRES (Fig. 2)

- 5 Connect the electrical wires as shown in Fig.2, making sure that all wire nuts are secured. If your junction box has a ground wire (green or bare copper), connect the fixture's ground wire to it. Otherwise, connect the fixture's ground wire directly to the mounting plate (A) using the green screw provided. Tuck the wire connections neatly into junction box.

## FINISHING THE INSTALLATION (Fig. 1)

- 6 Align backplate (C) onto mounting plate (A). Secure with screws (D) and rubber washers (E).
- 7 To prevent moisture from entering junction box and causing a short circuit, use clear caulking (i.e. Indoor/Outdoor silicone sealant) to outline the outside of fixture back plate where it meets the wall leaving a space at bottom to allow moisture a means to escape (Fig.3).

Your installation is now complete. Return power to the junction box and test the fixture.

**CAUTION /ATTENTION:** When handling the fixture, do not apply pressure to the LED. Hold the fixture by the base or back plate (C) only.

**IMPORTANT:** Fixture should be installed by a qualified electrician to ensure proper wiring and installation.



Fig.1

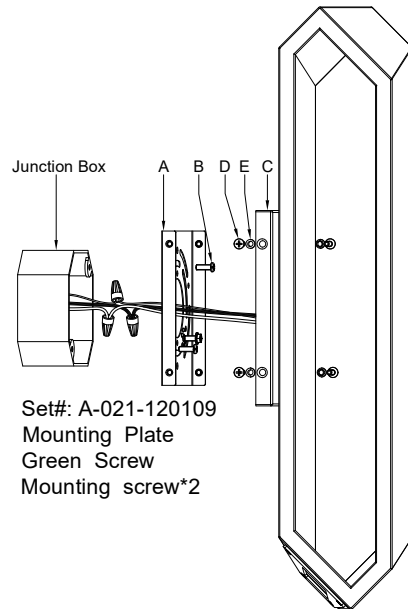


Fig. 2

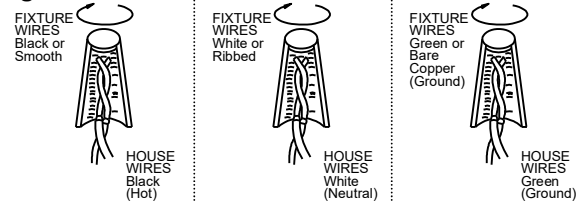


Fig.3

