

INSTALLATION INSTRUCTIONS

For Models # P5745/43-695

WARNING! SHUT POWER OFF AT FUSE OR CIRCUIT BREAKER.

AVERTISSEMENT! COUPER LE COURANT AU NIVEAU DES FUSIBLES OU DU DISJONCTEUR.

MOUNTING THE FIXTURE (Fig. 1)

1. Shut off power at the circuit breaker and remove the old fixture including the mounting hardware.
2. Carefully remove the fixture from the carton and check that all parts are included as shown in (Fig 1).
3. Remove mounting screws (G) (Size:# 8-32 0.5") from canopy (C). Secure mounting bracket (H) to the junction box (not included) using mounting screws (F) (Size:#8-32 1"). The side of the mounting bracket (H) marked "GND" must face out.

SUGGESTED INSTALLATION (Fig. 1)

4. Determine the desired hanging height and thread rods (A,B) to fixture body (D). Use all thread(s) (N) to connect multiple rods. Pass the wire carefully through each rod as you assemble. Take off all thread(s) (N) if you only use one rod.
5. Slide canopy (C) on rods (A,B), then thread hanger ball (O) to rods (B)
6. While holding the fixture, install the fixture into the mounting bracket (H) by tilting at a slight angle so that the hanger ball (O) slips into the mounting bracket (H). Align the notch in hanger ball (O) to the tab on the mounting bracket (H) to prevent the fixture from turning.

CONNECTING THE WIRES (Fig. 2)

7. Connect the electrical wires as shown in Fig. 2, making sure that all wire connectors (E) are secured. If your junction box has a ground wire (green or bare copper), connect both fixture's and mounting bracket's ground wire to it. Otherwise, connect the fixture's ground wire directly to the mounting bracket's ground wire using wire connector provided.

FINISHING THE INSTALLATION (Fig. 1)

8. Place canopy (C) onto mounting bracket (H) and secure with mounting screws (G).
9. Install medium base bulbs (I) up to 75 watts each or CFL or LED equivalent (not included) in accordance with the fixture specification—**DO NOT EXCEED THE MAXIMUM WATTAGE RATING! (NE PAS DEPASSER LA PUISSANCE NOMINALE MAXIMALE!)**.
10. Align white washer (J) and glass diffuser (K) to the bottom center stem of fixture body (D)..
11. Use decorative washer (L) and cap (M) to secure the glass diffuser (K) to fixture body (D).

Your installation is now complete. Return power to the junction box and test the fixture.

IMPORTANT: FIXTURE SHOULD BE INSTALLED BY A QUALIFIED ELECTRICIAN TO ENSURE PROPER WIRING AND INSTALLATION.

Fig. 1

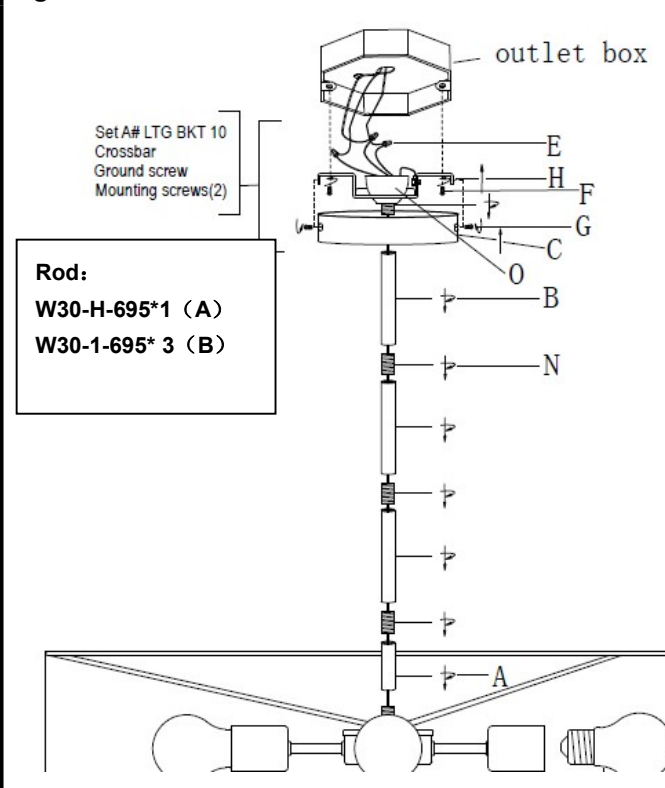


Fig. 2

