

INSTALLATION INSTRUCTIONS FOR P5473-884-L

For LED Pendant

READ AND SAVE THESE INSTRUCTIONS

WARNING! SHUT POWER OFF AT FUSE OR CIRCUIT BREAKER
AVERTISSEMENT! COUPER LE COURANT AU NIVEAU DES FUSIBLES OU DO DISJONCTEUR

ASSEMBLING THE FIXTURE (Fig.1)

1. Shut off power at the fuse box or circuit breaker. Remove the old fixture including the mounting hardware.
2. Carefully remove the fixture from the carton and check that all parts are included as show in Figure 1.
3. Unscrew screws (G) to remove mounting plate (A) from canopy (F). Mark location of the four mounting holes for plastic anchors (B). Drill the appropriate size holes on the ceiling and insert plastic anchors (B). Attach mounting plate (A) to the junction box (not included) using mounting screws (C). The side of mounting plate (A) marked "GND" must face out. Screw woodscrews (H) through the holes into plastic anchors (B) to secure mounting plate (A) to the ceiling as shown in Fig.1
4. The length of the power cords can be adjusted by loosening set screw (E), then tighten set screw (E) to secure.

CONNECTING THE WIRES (Fig. 2)

5. Connect the electrical wire as show in Fig 2. Making sure that all the connectors are secured. If your junction box has a ground wire (green or bare copper), connect the ground wire from the fixture to it. Otherwise connect fixture ground wire directly to mounting plate (A) using green screw (D) provided. Tuck the wire connections neatly into the ceiling junction box.

FINISHING THE INSTALLATION (Fig.1)

6. Slide canopy (F) over mounting plate (A) and secure with screws (G).

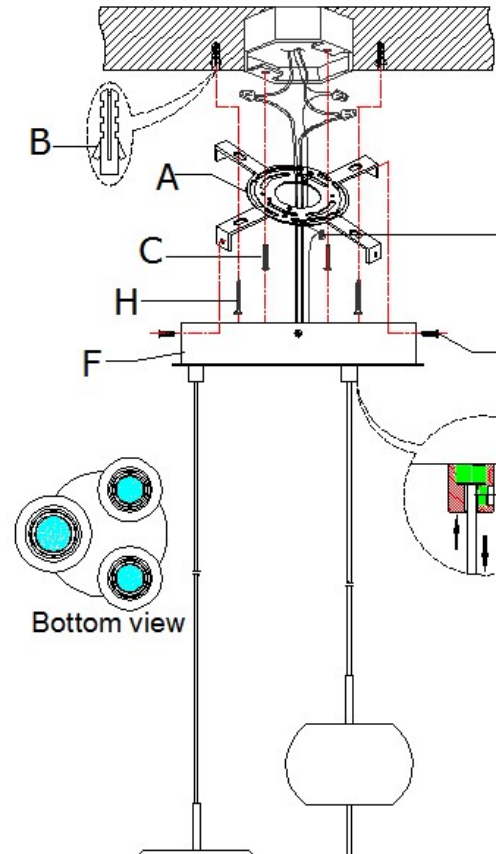
Your installation is now complete. Return power to the junction box and test the fixture.

CAUTION/ATTENTION: When handling the fixture, do not apply pressure to the LEDs. Hold the fixture by the frame only.

IMPORTANT: Fixtures should be installed by a qualified electrician to ensure proper wiring and installation.

Dimmable with ELV and/or LED compatible wall dimmer switches.

Fig 1



Set# A-020-226D

-mounting plate

-Ground Screw

-Mounting Screw*2

Fig 2

FIXTURE WIRES
BLACK OR
SMOOTH



HOUSE WIRES

FIXTURE WIRES
WHITE OR
RIBBED



HOUSE WIRES

FIXTURE WIRES
GREEN
BARE COPPER
(GROUND)

HOUSE WIRES
GREEN

