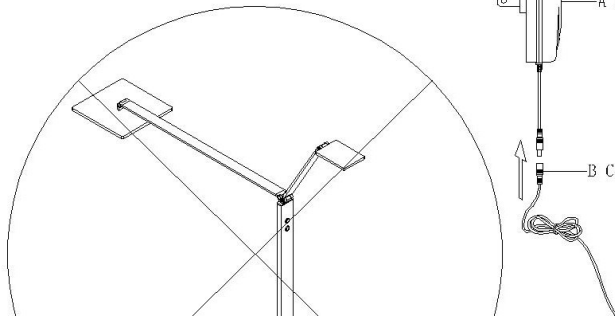
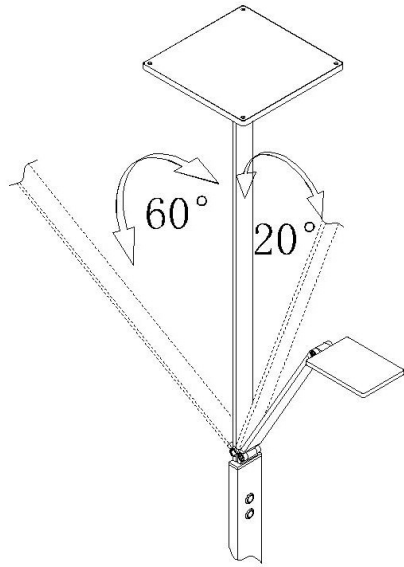


Installation Instruction

For Floor Lamp
Model# P305-5-654-L



WARNING:

- Risk of shock, do not plug in the unit before assembly is complete.
- Do not exceed the maximum wattage rating. (Ne pas dépasser la puissance nominale maximale!)
- Before turning on, please follow the instruction manual step by step.

INSTALLATION

1. Carefully unpack your new lamp and place all parts on a smooth, flat surface to protect the finish until ready to install.
2. Align lamp body (C) onto base (D). Secure lamp body (C) onto base (D) with spring washers (E) followed by allen screws (F) via allen wrench (G).
3. Connect the power adapter (A) to connector (B).
4. Plug into power outlet and test your new fixture. Adjust the arm location as desired.
5. This lamp uses a touch dimmer switch with 3 different brightness settings:
1st touch: On/Low brightness
2nd touch: Medium brightness
3rd touch: Max brightness
4th touch: Off

IMPORTANT SAFETY INSTRUCTIONS

- Never use with an extension cord unless the plug can be fully inserted.
- Do not change or alter.

IMPORTANT: FIXTURE SHOULD BE INSTALLED BY A QUALIFIED ELECTRICIAN TO ENSURE PROPER WIRING AND INSTALLATION.

MADE IN CHINA

