

INSTALLATION INSTRUCTIONS

Item#P1511-707-L (New. 04/14/2020)

READ AND SAVE THESE INSTRUCTIONS

WARNING! SHUT POWER OFF AT FUSE OR CIRCUIT BREAKER.

AVERTISSEMENT! COUPER LE COURANT AU NIVEAU DES FUSIBLES OU DU DISJONCTEUR.

MOUNTING THE FIXTURE (Fig.1)

1. Shut off power at the fuse box or circuit breaker box and remove the old fixture including the mounting hardware.
2. Carefully unpack your new fixture and lay out all the parts in a clear area. Take care not to misplace any small parts necessary for installation.
3. Unscrew screws (E) and plastic washers (Q). Separate the mounting plate (B) from the fixture body.
4. Position the mounting plate (B) on the wall, and mark the location for the two dry wall anchors (A). Pre-drill the holes for the drywall anchors (A) and insert the drywall anchors (A) into the wall.
5. Attach the mounting plate (B) to the junction box using the junction box screws (C) (**SIZE: #8-32N, L0.5"**). The side of the mounting plate marked "GND" must face out.
6. Place the wood screws (D) through the mounting plate (B) and into the drywall anchors (A) to secure mounting plate (B) to the wall.

CONNECTING THE WIRES (Fig. 2)

7. Connect the electrical wires as shown in Fig. 2, making sure that all wire connectors are secured. If your outlet box has a ground wire (green or bare copper), connect the fixture's ground wire to it. Otherwise, connect the fixture's ground wire directly to the mounting plate (B) using the green screw provided. After the wires are connected, tuck them carefully inside the junction box.

FINISHING THE INSTALLATION (Fig.1&Fig.4)

8. Align the fixture's back plate (G) onto the mounting plate (B). Secure with plastic washers (Q) and screws (E).
9. To prevent moisture from entering the outlet box and causing a short, use clear caulking (i.e. Indoor/Outdoor Silicone Sealant) to outline the outside of fixture back plate where it meets the wall leaving a space at bottom to allow moisture a means to escape.
10. Screw the glass shade (J) to the fixture and secure with screw (H). Do not over tighten.
11. Slide the glass panel (K) through the brackets (L), secure with screws (F) by using allen wrench (P) provided. Do not over tighten!

Fig. 1

Set#A-021-290133

- Mounting Plate
- Ground Screw
- Mounting Screw*2

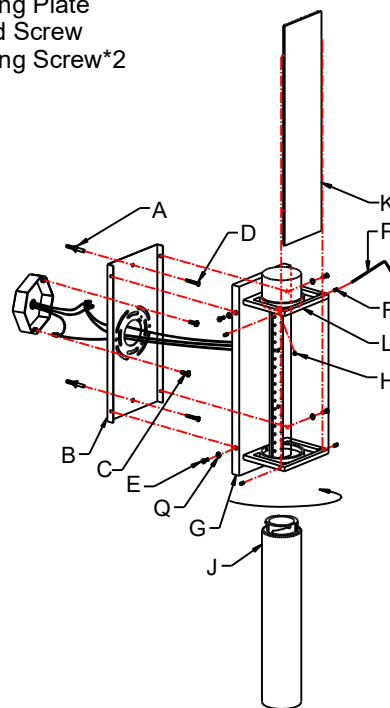
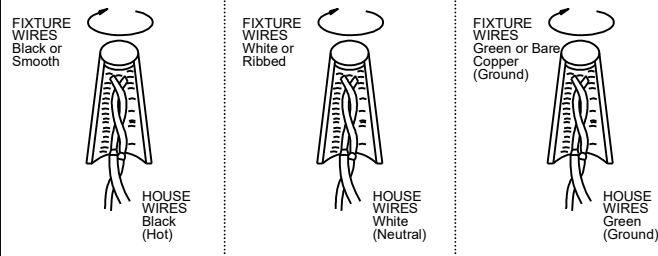


Fig. 2



CAUTION/ATTENTION: When handling the fixture, do not apply pressure to the LEDs. Hold the fixture by the base only.

Replacing LED module (Fig. 3)

The LED module can be replaced by a qualified electrician without cutting of wire and without damage to any decorative element to which the fixture is attached. See installation steps for more details (Fig 3.)

- a. Shut off the power.
- b. Remove screws (E) and plastic washers (Q), then remove fixture body from mounting plate (B), disconnect the wire connector, and place fixture body on a clean surface.
- c. Loosen screws (H) and remove glass shade (J).
- d. Loosen screws (F) and remove glass panel (K).
- e. Loosen screws (I) and remove bracket (M).
- f. Press the button of the printed "L" quick connector on LED module (O) with screwdriver (not included) to disconnected the black wire, and then disconnect the white wire from the printed "N" quick connector on LED module (O).
- g. Remove screws (N). Carefully remove the LED module (O).
- h. Reverse steps b-g for installing the new LED module.

Your installation is now complete. Return power and test the fixture.

Note: Illustration (Fig.1) on this manual is for installation purposes only. It may or may not be identical to the fixture purchased.

Dimmable with ELV and/or LED compatible wall dimmer switches.

IMPORTANT: FIXTURE SHOULD BE INSTALLED BY A QUALIFIED ELECTRICIAN TO ENSURE PROPER WIRING AND INSTALLATION.

