

INSTALLATION INSTRUCTIONS

Item#P1504-416 (New. 2020/4/10)

READ AND SAVE THESE INSTRUCTIONS

WARNING! SHUT POWER OFF AT FUSE OR CIRCUIT BREAKER.

AVERTISSEMENT! COUPER LE COURANT AU NIVEAU DES FUSIBLES OU DU DISJONCTEUR.

ASSEMBLING THE FIXTURE (Fig. 1 & Fig. 4)

1. Shut off the power at the fuse box or circuit breaker. If necessary, remove old fixture, including mounting hardware.
2. Carefully remove the fixture from the carton and check that all parts are included as shown in the illustration.
3. Adjust arms to proper position. (Fig.4)

ASSEMBLING THE FIXTURE WITH CHAIN LOOP (Fig.1&Fig. 3)

4. Determine the desired hanging height and thread rods (F1, F2 and F3) to the all thread (I) on the fixture body. Then screw loop (H1) on to rod (F1). Pass the wires carefully through each rod as your assemble. Note: remove the all thread, if installing with one 6" rod only.
5. Attach the quick link (G) to loop (H1) and loop (H2) on the canopy (D). Carefully feed the wire through the loop (H1), quick link (G), and loop (H2).
6. Thread screws (A) into the pre-drilled holes in the circular strap (B) spaced the same distance apart as the holes in the canopy (D).
7. Attach the circular strap (B) to the junction box using mounting screws (C) (Size: #8-32N*L0.5"). The side of the circular strap marked "GND" must face out.

CONNECTING THE WIRES (Fig. 2)

8. Connect the electrical wires as shown in fig 2, making sure that all wire connectors are secured. If your outlet has a ground wire (green or bare copper), connect the fixture's ground wire to it. Otherwise, connect the fixture's ground wire directly to the circular strap (B) using the green screw provided.
9. Tuck the wire connectors neatly into the ceiling junction box and then raise the canopy (D) to the ceiling.

COMPLETING THE INSTALLATION (Fig. 1)

10. Slide screws (A) through the canopy (D) and secure with knurled knobs (E).
 11. Place the candle covers (L) over the sockets (M).
 12. Install (4) four candelabra base bulbs (K) up to 60 watts each or CFL or LED equivalent (not included) in accordance with the fixture specification — **DO NOT EXCEED THE MAXIMUM WATTAGE RATING! (NE PAS DEPASSER LA PUISSANCE NOMINALE MAXIMALE!)**.
 13. Place the glass shade (J) over the cup (N).
- Your installation is now complete. Return power to the junction box and test the fixture.

Note: Illustration (Fig. 1) on this manual is for installation purposes only. It may or may not be identical to the fixture purchased.

Fig. 1

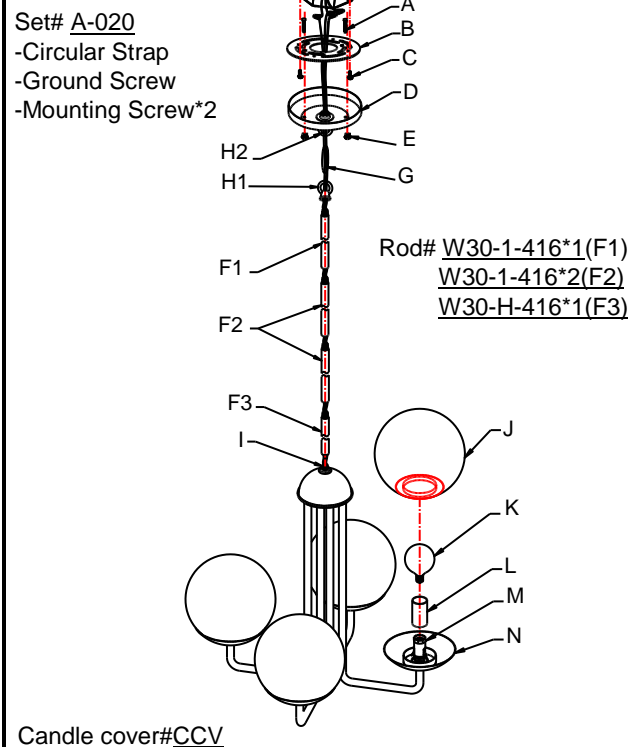


Fig. 2

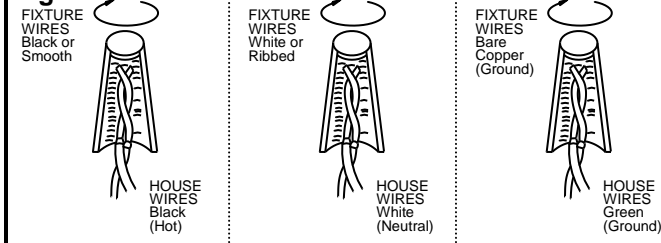
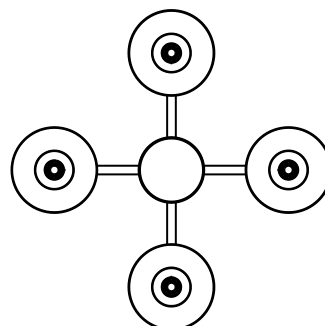
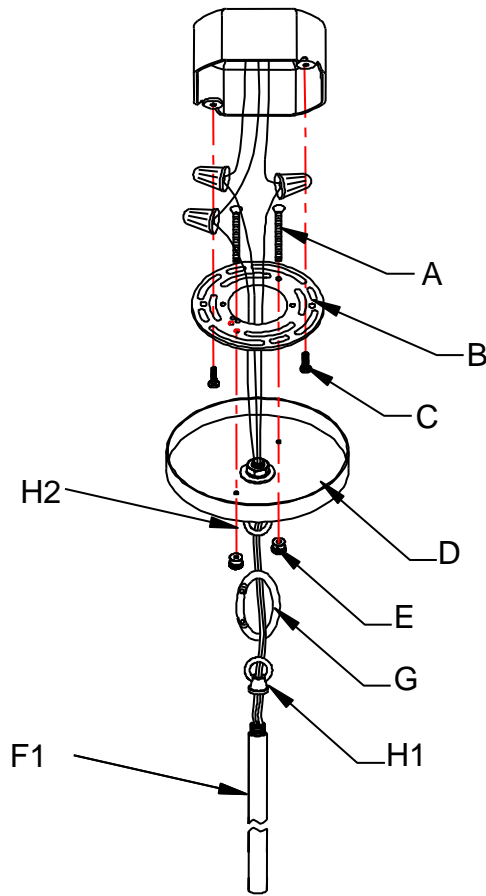


Fig.4



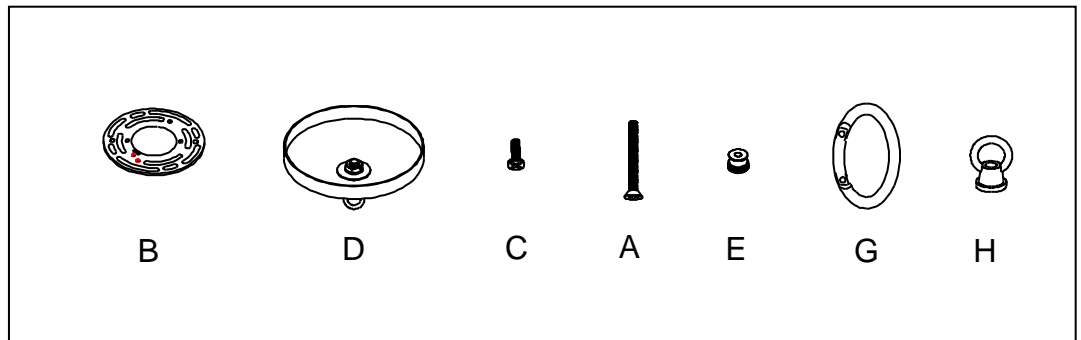
IMPORTANT: FIXTURE SHOULD BE INSTALLED BY A QUALIFIED ELECTRICIAN TO ENSURE PROPER WIRING AND INSTALLATION.

Fig.3



a. Hardware Bag:

- A. Screw*2
- B. Circular Strap*1
- D. Canopy *1
- C. Mounting Screw*2
- E. Knurled Knob*2
- H. Loop*2
- G. Quick Link*1



b. Hardware Bag:

- F1. ROD 12"*1
- F2. ROD 12"*2
- F3. ROD 6"*1

