

INSTALLATION INSTRUCTIONS

Item#P1488-248 (Rev. 01/13/2020)

READ AND SAVE THESE INSTRUCTIONS

WARNING! SHUT POWER OFF AT FUSE OR CIRCUIT BREAKER.

AVERTISSEMENT! COUPER LE COURANT AU NIVEAU DES FUSIBLES OU DU DISJONCTEUR.

PREPARATION (Fig. 1)

1. Shut off power at the fuse box or circuit breaker box and remove the old fixture including the mounting hardware.
2. Carefully unpack your new fixture and lay out all the parts in a clean area. Take care not to misplace any small parts necessary for installation.

ASSEMBLING THE FIXTURE WITH CHAIN LOOP (Fig. 1&Fig. 2)

3. Determine the desired hanging height and thread rods (F1, F2 and F3) to the threaded nipple (I) on the fixture body. Then screw loop (H1) to rod (F1). Pass the wires carefully through each rod as you assemble.
4. Attach the quick link (G) to loop (H1) and loop (H2) on the canopy (D). Carefully feed the wire through loop (H1), quick link (G) and loop (H2).
5. Thread screws (A) into the pre-drilled holes in the circular strap (B) spaced the same distance apart as the holes in the canopy (D).
6. Attach the circular strap (B) to the junction box using mounting screws (C) (Size: #8-32N*L0.5"). The side of the circular strap marked "GND" must face out.

CONNECTING THE WIRES (Fig. 3)

7. Connect the electrical wires as shown in fig 3, making sure that all wire connectors are secured. If your outlet has a ground wire (green or bare copper), connect the fixture's ground wire to it. Otherwise, connect the fixture's ground wire directly to the circular strap (B) using the green screw provided.
8. Tuck the wire connectors neatly into the ceiling junction box and raise the canopy to the ceiling.

COMPLETING THE INSTALLATION (Fig. 1)

9. Slide the canopy (D) over the screws (A), and secure with knurled knobs (E).
10. Dual options: Screw the acrylic rods (J) into the fixture body (Fig 1) or push end caps (N) into the fixture body (Fig 4).
11. Install (8) eight G9 bulbs (L) (included) up to 60 watts each, or CFL or LED equivalent, in accordance with the fixture specification — **DO NOT EXCEED THE MAXIMUM WATTAGE RATING! (NE PAS DEPASSER LA PUISSANCE NOMINALE MAXIMALE!)**.
12. Slide the glass shade (M) over the socket and bulb, then twist to secure it to the socket cup (K).

Your installation is now complete. Return power to the junction box and test the fixture.

Note: Illustration (Fig. 1) on this manual is for installation purposes only. It may or may not be identical to the fixture purchased.

IMPORTANT: FIXTURE SHOULD BE INSTALLED BY A QUALIFIED ELECTRICIAN TO ENSURE PROPER WIRING AND INSTALLATION.

Fig. 1

Set# A-020-A

-Circular Strap

-Ground Screw

-Mounting Screw*2

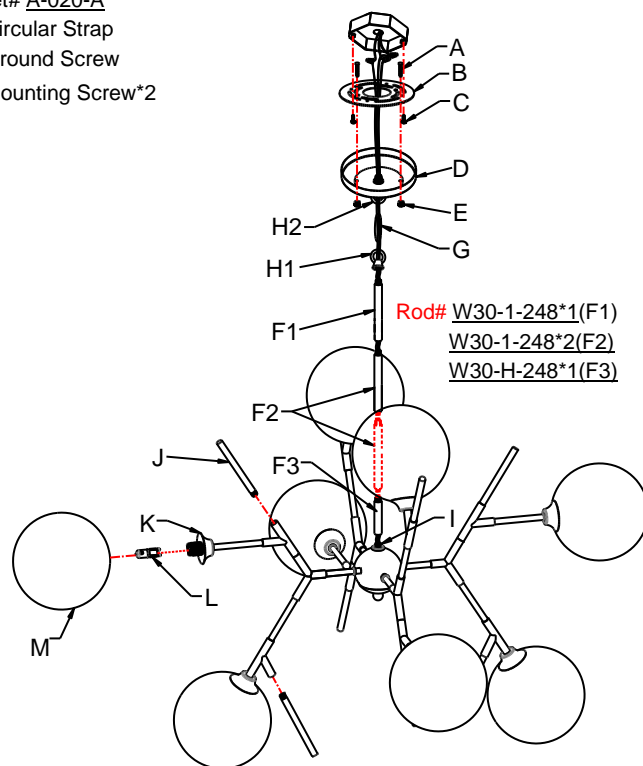


Fig. 3

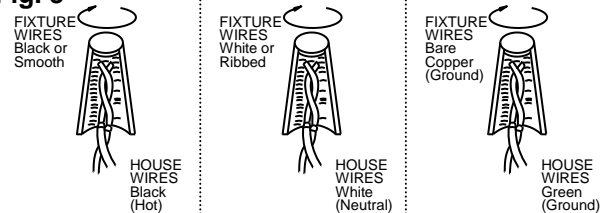


Fig. 4

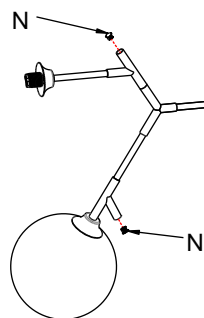
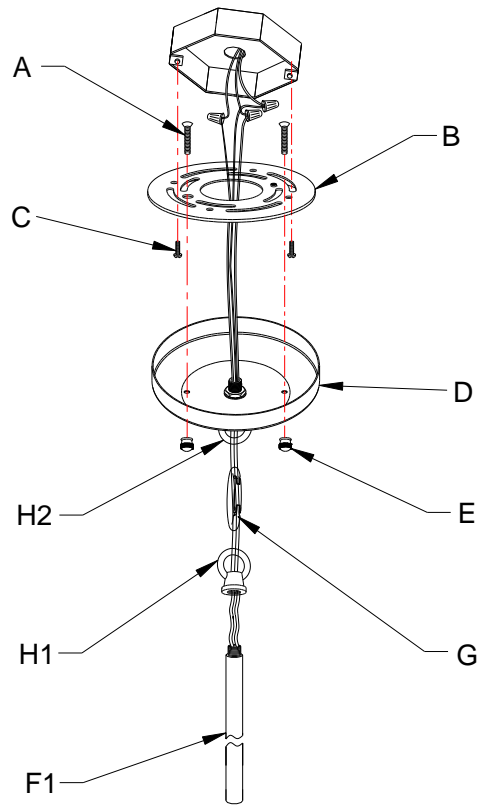
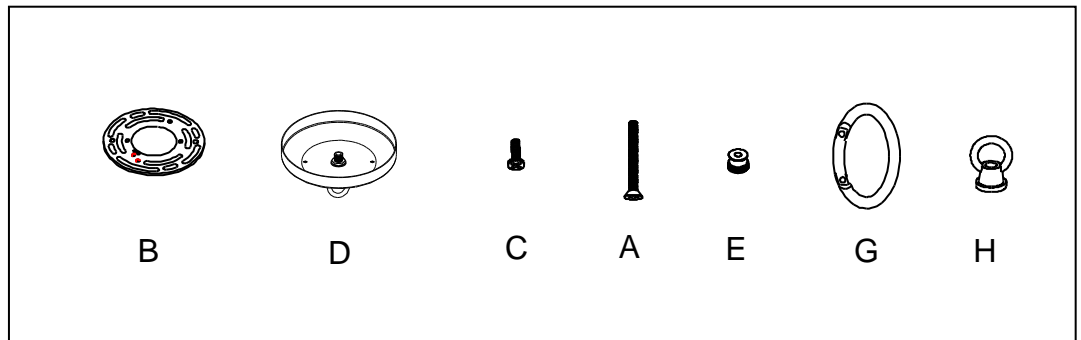


Fig.2



a. Hardware Bag:

- A. Screw*2
- B. Circular Strap*1
- D. Canopy *1
- C. Mounting Screw*2
- E. Knurled Knob*2
- H. Loop*2
- G. Quick Link*1



b. Hardware Bag:

- F1. ROD 12"*1
- F2. ROD 12"*2
- F3. ROD 6"*1

