

INSTALLATION INSTRUCTIONS FOR P20-077-L

For LED Pendant

READ AND SAVE THESE INSTRUCTIONS

WARNING! SHUT POWER OFF AT FUSE OR CIRCUIT BREAKER
AVERTISSEMENT! COUPER LE COURANT AU NIVEAU DES FUSIBLES OU DO DISJONCTEU

ASSEMBLING THE FIXTURE (Fig.1)

1. Shut off power at the fuse box or circuit breaker box and remove the old fixture including the mounting hardware.
2. Carefully unpack your new fixture and lay out all the parts in a clear area. Take care not to misplace any small parts necessary for installation.
3. Unscrew (G) to remove the mounting plate (A) from the canopy (F).
4. Attach the mounting plate (A) to the junction box (not included) using the mounting screws (B) (size 8#-32N 1"). Note: The side of the mounting plate (A) marked "GND" must face out.

CONNECTING THE WIRES (Fig. 2)

5. Connect the electrical wires as shown in Fig.2 making sure that all wire connectors are secured. If your outlet box has a ground wire (green or bare copper), connect the fixture's ground wire to it. Otherwise, connect the fixture's ground wire directly to the mounting plate (A) using the green screw provided. Tuck wires neatly back into the junction box.

FINISHING THE INSTALLATION (Fig.1)

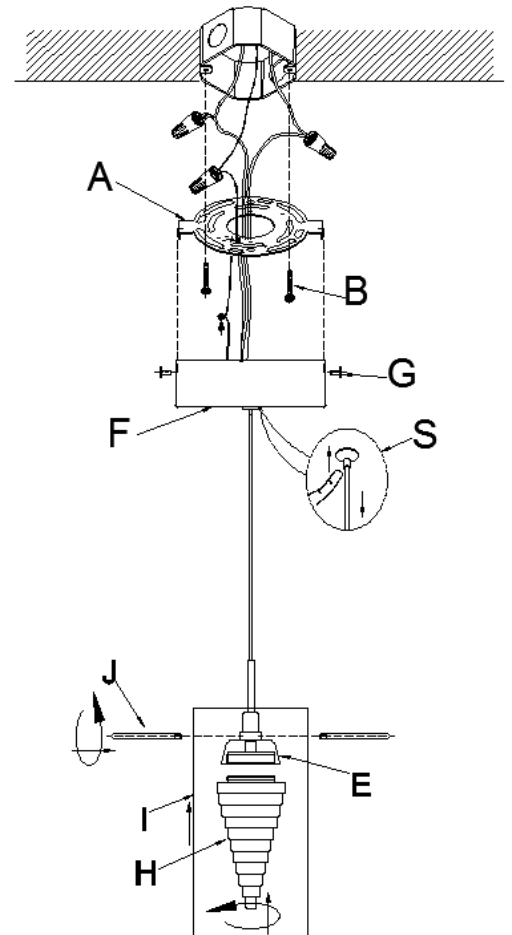
6. Adjust the length of the cable to desired length by pushing down the spring nut (S). Attach the canopy (F) into the mounting plate (A) with screws (G).
7. Screw in the clear stepped acrylic (H) on the threaded holder (E) and tighten.
8. Pass the clear glass (I) over the stepped acrylic (H) and align the holes to the threaded holder (E).
9. Screw in the locking rods (J) through the hole of the glass (I) and tighten.

Your installation is now complete. Return power to the junction box and test the fixture.

CAUTION/ATTENTION: When handling the fixture, do not apply pressure to the LEDs. Hold the fixture by the frame only.

IMPORTANT: Fixtures should be installed by a qualified electrician to ensure proper wiring and installation. Dimmable with ELV and/or LED compatible wall dimmer switches.

Fig.1



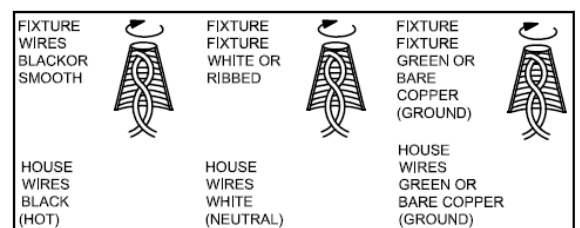
Set# A-020-122A

-mounting plate

-Ground Screw

-Mounting Screw*2

Fig.2



INSTALLATION INSTRUCTIONS FOR P20-077-L

For LED Pendant

READ AND SAVE THESE INSTRUCTIONS

WARNING! SHUT POWER OFF AT FUSE OR CIRCUIT BREAKER
AVERTISSEMENT! COUPER LE COURANT AU NIVEAU DES FUSIBLES OU DO DISJONCTEU

LED module replace (Fig.3)

Shut off power before replacing.

1. There is one (1) LED module in the head of this fixture. If it does not work, replace it as shown in Fig. 3. Make sure the power is off before you replace.
2. Unscrew the locking rods (J), remove the clear glass (I) and unscrew the stepped acrylic (H).
3. Use a pin to press down on the quick connector (K) to disconnect the wires.
4. Remove the screws (L) and washers (M)
5. Replace a new module.
5. Repeat steps 4-1 to reassemble the fixture.

Your installation is now complete. Return power to the junction box and test the fixture.

Fig 3

