

# INSTALLATION INSTRUCTIONS

Item#P1821-44F/248/651(New. 11/ 19/ 2019)

## READ AND SAVE THESE INSTRUCTIONS

**WARNING! SHUT POWER OFF AT FUSE OR CIRCUIT BREAKER.**

**AVERTISSEMENT! COUPER LE COURANT AU NIVEAU DES FUSIBLES OU DU DISJONCTEUR.**

### PREPARATION (Fig. 1)

1. Shut off power at the fuse box or circuit breaker box and remove the old fixture including the mounting hardware.
2. Carefully unpack your new fixture and lay out all the parts in a clean area. Take care not to misplace any small parts necessary for installation.

### ASSEMBLING THE FIXTURE WITH BALL SWIVEL (Fig. 2)

3. Determine the desired hanging height and thread rods (F1, F2 and F3) to the threaded nipple of the fixture body (G). Pass the wires carefully through each rod as you assemble.
4. Attach the mounting plate (A) to the junction box using mounting screws (B) (Size: #8-32N\*L0.5").
5. Slide the canopy (C) over rods (F) and thread the hanger ball (E) to rods (F). Remove the threaded nipple, if installing with one 6" rod only.
6. Install the fixture body (G) into the mounting plate (A) by tilting at a slight angle so that the hanger ball (E) slips into the mounting plate (A). Align the notch in the hanger ball (E) to the tab on the mounting plate (A) to prevent the fixture from turning.

### CONNECTING THE WIRES (Fig. 3)

7. Connect the electrical wires as shown in figure 3, making sure that all wire connectors are secured. If your outlet has a ground wire (green or bare copper), connect it to the mounting plate (A) with the ground wire from hanger ball (E). Otherwise, connect the ground wire from the hanger ball (E) directly to the mounting plate (A) ground wire and secure with the wire connectors provided. After wires are connected, tuck them carefully into the ceiling junction box.

### COMPLETING THE INSTALLATION (Fig. 1)

8. Align the canopy (C) over the mounting plate (A) and secure with screws (D).
9. Install (1) one medium base bulb up to 100 watts each or CFL or LED equivalent (not included) in accordance with the fixture specification—**DO NOT EXCEED THE MAXIMUM WATTAGE RATING! (NE PAS DEPASSER LA PUISSANCE NOMINALE MAXIMALE!)**

Your installation is now complete. Return power to the junction box and test the fixture.

**Note: Illustration (Fig. 1) on this manual is for installation purposes only. It may or may not be identical to the fixture purchased.**

**IMPORTANT: FIXTURE SHOULD BE INSTALLED BY A QUALIFIED ELECTRICIAN TO ENSURE PROPER WIRING AND INSTALLATION.**

Fig. 1

Set# LTG BKT 10

- Mounting plate
- Ground screw
- Mounting Screw\*2

Rod#

W30-H-84\*1(F1)

W30-1-84\*2(F2)

W30-1-84\*1(F3)

Rod#

W30-H-248\*1(F1)

W30-1-248\*2(F2)

W30-1-248\*1(F3)

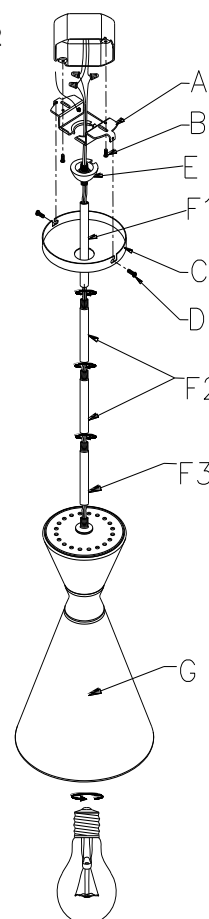
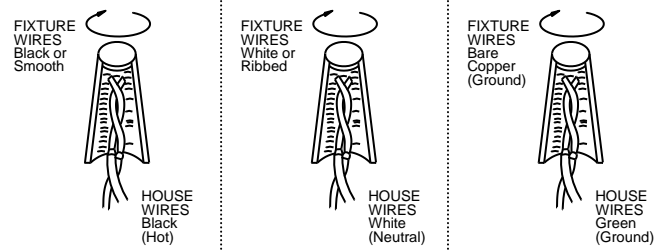
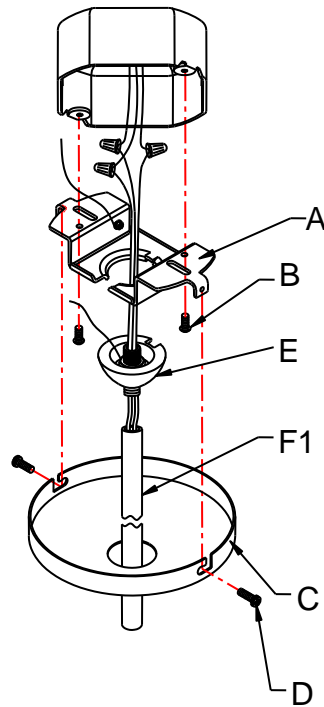


Fig. 3

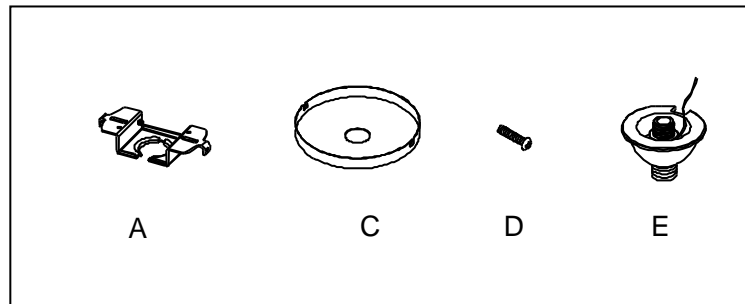


**Fig.2**



**a. Hardware Bag:**

- A. Mounting Plate\*1
- C. Canopy\*1
- D. Screw\*2
- E. Hanger Ball\*1



**b. Hardware Bag:**

- F1. ROD 6"\*1
- F2. ROD 12"\*2
- F3. ROD 12"\*1

