

INSTALLATION INSTRUCTIONS FOR P1391-044G-L, P1392-044G-L, P1393-044G-L FOR LED BATH LIGHT

WARNING! SHUT POWER OFF AT FUSE OR CIRCUIT BREAKER.

AVERTISSEMENT ! COUPER LE COURANT AU NIVEAU DES FUSIBLES OU DO DISJONCTEUR

HANGING THE FIXTURE

1. Carefully remove the fixture from the carton and check that all parts are included as shown in the illustration.
2. Shut off power at the circuit breaker and remove old fixture including the mounting hardware

SUGGESTED INSTALLATION (Fig. 1)

3. Attach the mounting plate (B) to the junction box (A) using screws (C) (Size: 8-32*1/2"L). The side of the mounting plate marked "GND" must face out.

CONNECTING THE WIRES (Fig. 2)

4. At this point, connect the electrical wire as shown in figure 2, making sure that all wire connectors are secured. If your outlet has a ground wire (green or bare copper), connect the fixtures ground wire to it. Otherwise, connect the fixture ground wire directly to the mounting plate (B) using the green screw provided. After wires are connected, tuck them carefully inside the junction box (A).

FINISHING THE INSTALLATION (FIG.1)

5. Fix the bracket (N) to the mounting plate (B) by using screws (G). Twist glass shade (M) into bracket (N) by hand until tight, but don't too tighten.

COMPLETING THE INSTALLATION (Fig. 1)

Your installation is now complete. Return power to the junction box and test the fixture.

Note: Illustration (Fig. 1) on this manual is for installation purposes only. It may or may not be identical to the fixture purchased.

CAUTION /ATTENTION: When handling bracket (N), do not apply pressure to the LEDs. Hold the metal parts.

Replacing LED module (Fig. 3)

The LED module can be replaced by a qualified electrician without cutting of wire and without damage to any decorative element to which the fixture is attached. See installation steps for more details (Fig.3)

- a. Shut off power.
- b. Remove glass (M).
- c. Remove screws (J) and the glass diffuser (K).
- d. Remove screws (P) and washers (L). Use a pin to press the hole on the quick connector (Q) to disconnect the LED module. Carefully remove the LED module from bracket.
- e. Reverse steps a-d for installing the new LED module.
- f. Note: The LED module should be provided by a specified supplier.

IMPORTANT: Fixture should be installed by a qualified electrician to ensure proper wiring and installation.

Dimmable with ELV and/or LED compatible wall dimmer switches.

Fig.1

Set# A-021-113

- Mounting plate
- Ground screw
- Mounting screws*2pcs

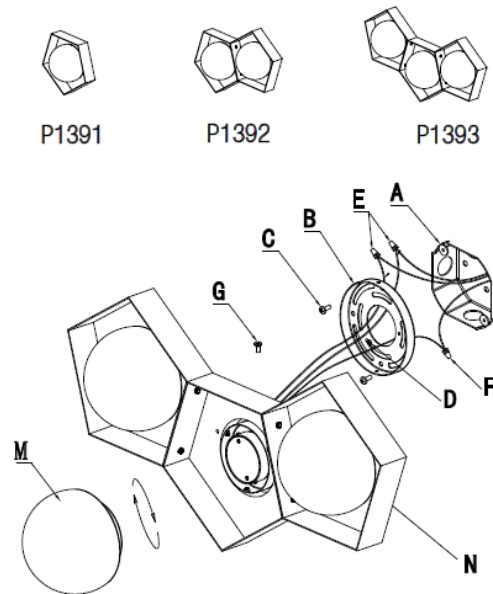


Fig. 2

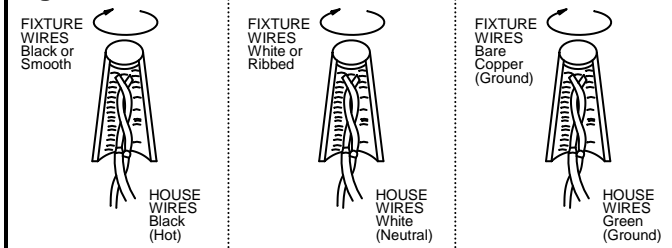


Fig.3

