

INSTALLATION INSTRUCTIONS FOR P1380-077-L

FOR LED Chandelier/Pendant Light

WARNING! SHUT POWER OFF AT FUSE OR CIRCUIT BREAKER.

AVERTISSEMENT ! COUPER LE COURANT AU NIVEAU DES FUSIBLES OU DO DISJONCTEUR

HANGING THE FIXTURE

1. Carefully remove the fixture from the carton and check that all parts are included as shown in the illustration.
2. Shut off power at the circuit breaker and remove old fixture including the mounting hardware

SUGGESTED INSTALLATION (Fig. 1&3)

3. Attach the mounting plate (B) to the junction box (A) using screws (C) (Screw Size: 8-32*1/2"L). The side of the mounting plate marked "GND" must face out.
4. Determine length desired and thread rod (F1,F2, F3) to housing (N), then place the canopy (G) over the rod (F1) and connect swivel (D) to rod (F1). Meanwhile, carefully pass the fixture wires through rod and swivel. Note: remove the nipple if installing with 6" rod only.

CONNECTING THE WIRES (Fig. 2)

5. Cut the extra wire if necessary. Connect the driver output wires (Red to Red; and Black to black) with fixture, making sure that all wires connectors (O) are secured.
6. Connect the driver input wire with housing wire as shown in Fig.2, making sure that all wire connectors (P) are secured.
7. If your outlet box has a green or bare copper ground wire, connect the fixture's ground wire to it. Otherwise, connect the fixture's ground wire directly to the mounting plate (B) using the green screw (M) provided. After wires are connected, tuck them carefully inside the junction box (A).

COMPLETING THE INSTALLATION (Fig. 1&3)

8. Connect the canopy with the mounting plate (B) and secure with mounting screws (E).
9. Align the glass (I) to the housing (N), make sure the hole on the glass match the hole, and tighten it with screws (F).

For slope ceiling application, rotate swivel at the top of the stem to ensure luminaries is aiming down (Fig. 3).

Your installation is now complete. Return power to the junction box and test the fixture.

CAUTION /ATTENTION: When handling bracket, do not apply pressure to the LEDs. Hold the metal parts.

Fig.1

Set# A-021-135

- Mounting plate
- Ground screw
- Mounting screws*2pcs

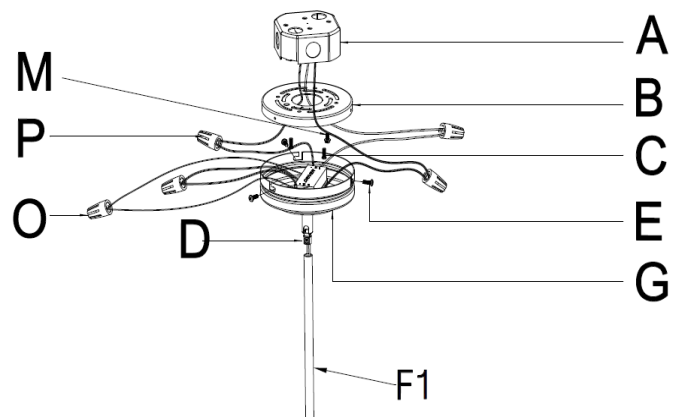


Fig. 2

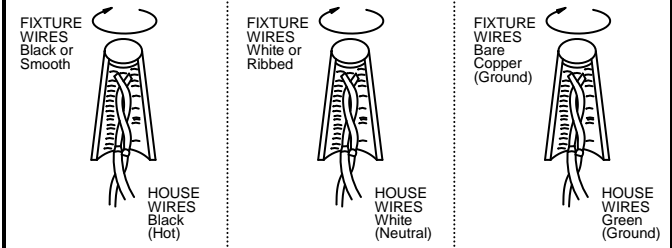
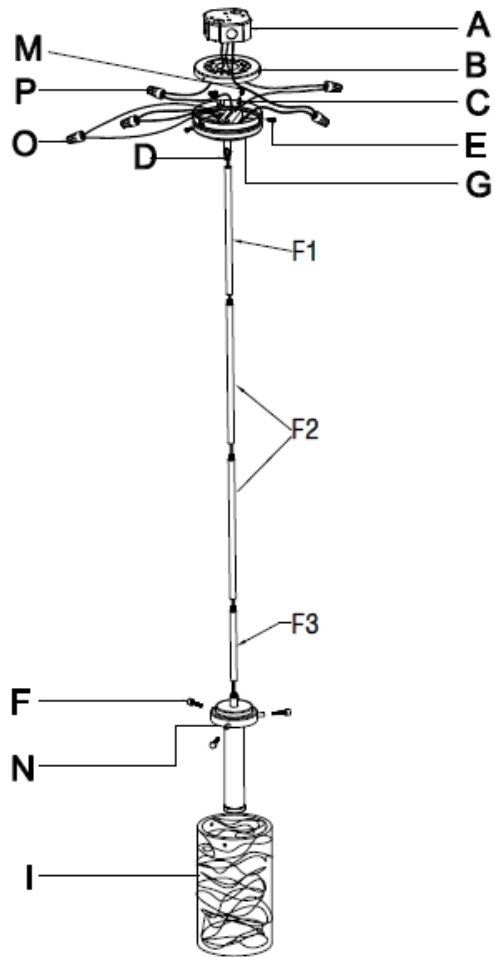
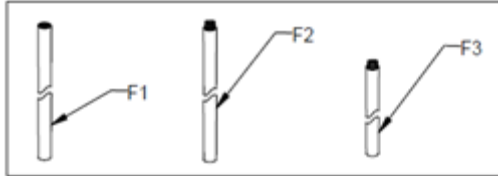


Fig.3

Hardware Bag:

- F1.Rod 12"*1 Rod# W30-1-077
- F2.Rod 12"*2 Rod# W30-1-077
- F3.Rod 6" *1 Rod# W30-H-077

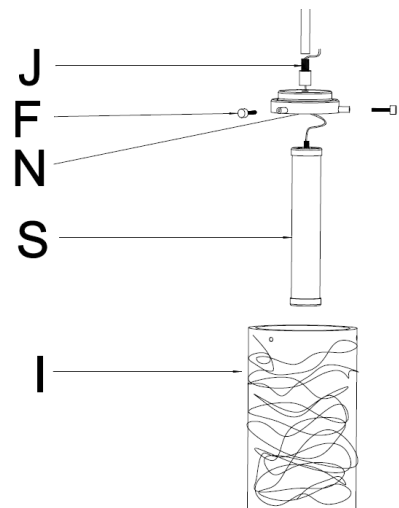


Replacing LED module (Fig.1,4)

The LED module can be replaced by a qualified electrician without cutting of wire and without damage to any decorative element to which the fixture is attached. See installation steps for more details (Fig.4.)

- a. Shut off power.
- b. Loosen screw (F) and take off the glass (I)
- c. Loosen screw (E) to disconnect canopy (G) from the mounting plate (B) as shown in Fig 1.
- d. Disconnect wires (O) (P) as shown in Fig 1.
- e. Loosen the nipple (J) to disconnect the LED module (S) from the housing (N)
- f. Remove LED module (S) by pulling the wire out from rods.
- g. Reverse steps a-f for installing the new LED module.
- h. Note: The LED module should be provided by a specified supplier.

Fig.4



IMPORTANT: Fixture should be installed by a qualified electrician to ensure proper wiring and installation.

Dimmable with ELV and/or LED compatible wall dimmer switches.

