

INSTALLATION INSTRUCTIONS

For Model # P5070-077, P6115-077 (Rev 05/10/2012)

WARNING! SHUT POWER OFF AT FUSE OR CIRCUIT BREAKER.
AVERTISSEMENT! COUPER LE COURANT AU NIVEAU DES FUSIBLES OU DU DISJONCTEUR.

MOUNTING THE FIXTURE (Fig. 1 & Fig.2)

1. Shut off power at the circuit breaker and remove old fixture from ceiling, including the crossbar.
2. Carefully unpack your new fixture and lay out all the parts on a clear area. Take care not to lose any small parts necessary for installation.

Fig. 1 (ITEM# P6115-077)

- 3-1. Secure Circular Strap (A) using Screw (B) to the Outlet Box. The side of the Circular Strap marked "GND" must face out.
- 4-1. Install Stud (C) into the screw hole of Circular Strap (A).

Fig. 2 (ITEM# P5070-077)

- 3-2. Mount the Reinforcement Plate (A) to the Junction Box secure with Screws (B) through the holes in the middle of the plate. For additional stability on large fixtures, use the two Screws (K) and Plastic Anchors (J) provided for end mounting. The side of the plate marked "GND" must face out.

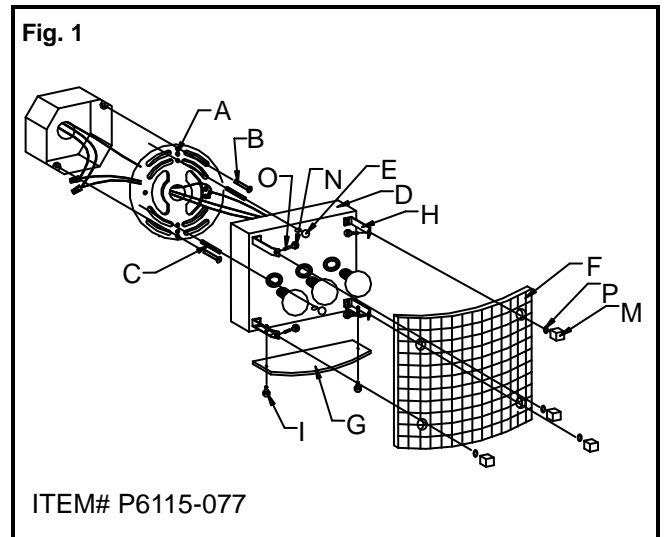
CONNECTING THE WIRES (Fig. 3)

5. At this point, connect the electrical wire as shown in figure 3, making sure that all wire connectors are secured. If your outlet has a ground wire (green or bare copper), connect the fixtures Ground Wire to it. Otherwise, connect the fixture Ground Wire directly to the circular Strap or Backplate using the Green Screw provided. After wires are connected, tuck them carefully inside the Junction Box.

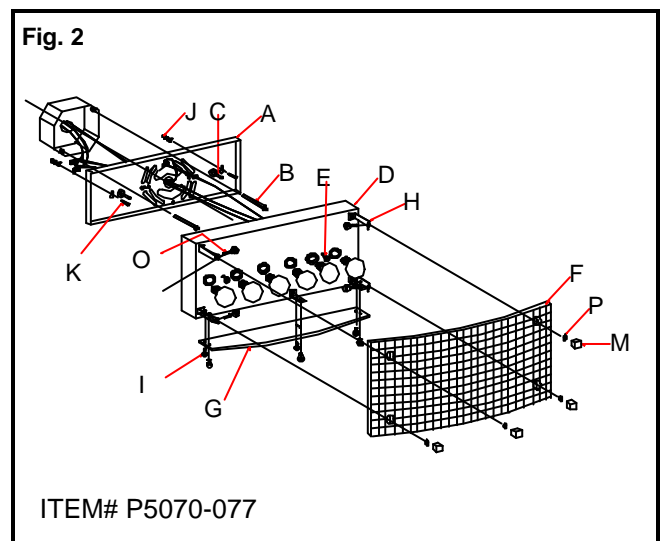
FINISHING THE INSTALLTION (Fig. 1 & 2)

6. Place Fixture Body (D) into Studs (C) and secure it tightly using Cap Nut (E).
7. Install the Nipple (O) to the Ball Nut (N) and slide through the Hickey Holes. Tighten the Front Glass Panel (F) with Plastic Washer (P) and Final (M).
8. Tighten Bottom Glass Panel (G) to the Hickeys (H) with two or six Ball Nuts (I).
9. Install the light bulb (not included) in accordance with the fixture's specifications. **(DO NOT EXCEED THE MAXIMUM WATTAGE RATING!)** (NE PAS DEPASSER LA PUISSANCE NOMINALE MAXIMALE!)

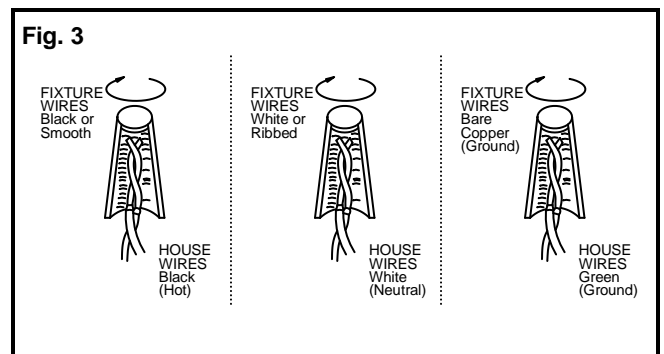
Your installation is now complete. Return power to the outlet box and test the fixture.



ITEM# P6115-077



ITEM# P5070-077



IMPORTANT: FIXTURE SHOULD BE INSTALLED BY A QUALIFIED ELECTRICIAN TO ENSURE PROPER WIRING AND INSTALLATION.



LA-600E-A