

INSTALLATION INSTRUCTIONS FOR P5044-PL

For Wall Mount Fixture

WARNING! SHUT POWER OFF AT FUSE OR CIRCUIT BREAKER .

AVERTISSEMENT! COUPER LE COURANT AUNIVEAU DES FUSIBLES OU DU DISJONCTEUR

PREPARATION

1. Shut off the power at the circuit breaker box (avertissement! couper le courant au niveau des fusibles ou du disjoncteur) and remove the old fixture, including the mounting hardware
2. Carefully unpack your new fixture and lay out all the parts on a clear area. Take care not to lose any small parts necessary for installation.

MOUNTING THE FIXTURE (FIG. 1)

3. Secure mounting back plate (A) to the outlet box using the two mounting screws (B)(size:8-32*1/2"L). The side of the mounting back plate marked "GND" must face out.

CONNECTING THE WIRES (FIG. 2)

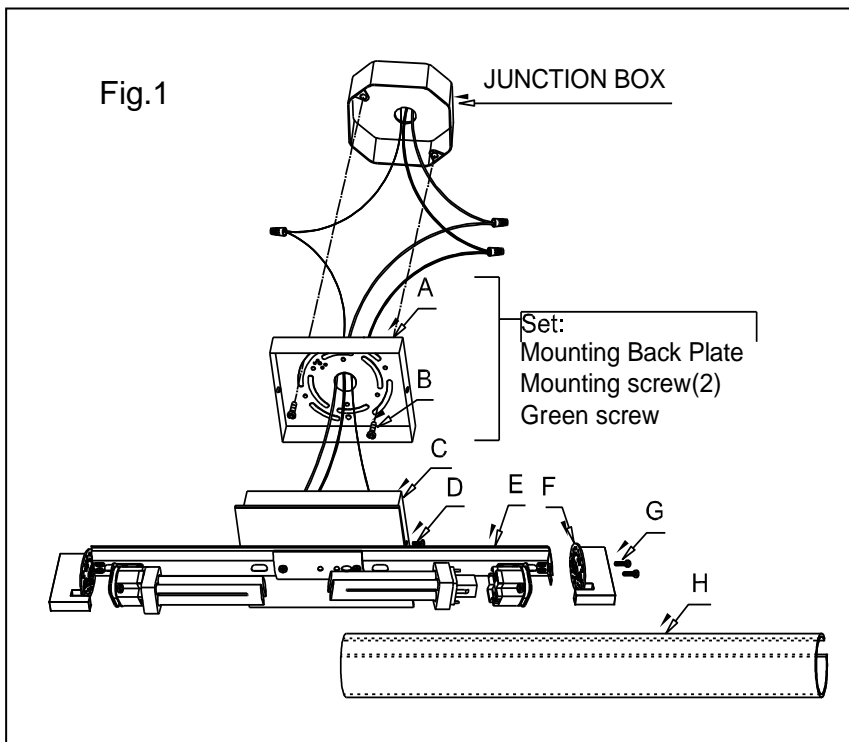
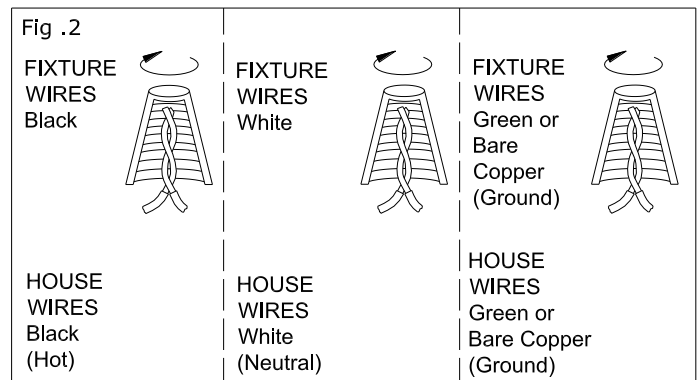
4. Connect the fixture wires to the junction box wires as shown in Fig. 2. Make sure all wire connectors are secured and do not easily pull off with a slight tug. If there is no green ground wire from the junction box, connect the fixture ground wire to the mounting back plate with the green screw provided.
5. Tuck these wire connections neatly into the wall junction box.
6. Place the fixture's back plate(C) over the mounting back plate and secure it with screws (D).

COMPLETING THE INSTALLATION

7. Install the PL Bulb in accordance with the fixture's specification(2xMax 13W included)
(DO NOT EXCEED THE MAXIMUM WATTAGE RATING!)
(NE PAS DEPASSER LA PUISSANCE NOMINALE MAXIMALE)
8. Slide the glass (H) over the front bracket (E) then secure shield (F) to it using the two screws (G).

Return power to the junction box and test the fixture. Your installation is now complete.

IMPORTANT: Fixture should be installed by a qualified electrician to ensure proper wiring and installation.



MIN 90°C SUPPLY CONDUCTORS