

# INSTALLATION INSTRUCTIONS

Item #P841-609-L/P841-044-L/P841-674B-L  
P842-609-L/P842-044-L/P842-674B-L (For Trim Ring Model)

**READ AND SAVE THESE INSTRUCTIONS**

**WARNING! SHUT POWER OFF AT FUSE OR CIRCUIT BREAKER.**

**AVERTISSEMENT! COUPER LE COURANT AU NIVEAU DES FUSIBLES OU DU DISJONCTEUR.**

## ASSEMBLING THE TRIM RING (Fig.1)

1. Shut off power at the fuse box or circuit breaker box. If necessary remove the old fixture and mounting hardware.
2. Carefully unpack your new fixture and lay out all the parts on a clear area. Take care not to lose any small parts necessary for installation.

## INSTALLATION (Fig. 1)

1. Connect the fixture ground wire to the mounting plate (D) using the green screw provided.
2. Insert mounting plate (D) into spring (C). Then if recessed can has socket (K), screw pigtail (E) to recessed can socket (K), plug the wire quick connector (F) into wire quick connector (G). Otherwise, directly connect wire quick connector (R) into wire quick connector (G)
3. Push spring clip (H) into the "L" tabs (L) protruding from the inside of the recess housing.

Your installation is now complete turn power back on.

### Attention:

The recessed cans model no. are Halo brand: H750RICAT, H7RICAT, H7ICT, H7RICT and H7ICAT.

And Commercial Electric brand: CAT7ICATA

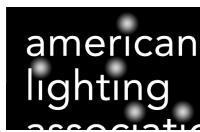
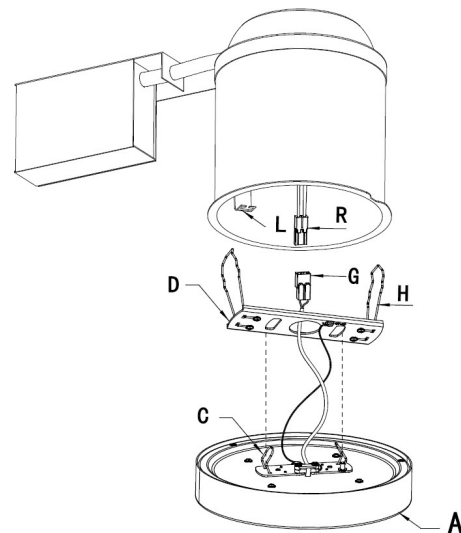
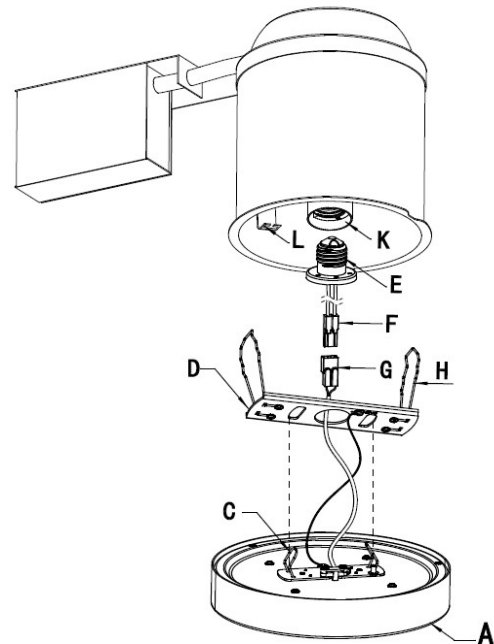


Fig. 1

Set#A-019A

- Mounting plate

- Spring\*2



# INSTALLATION INSTRUCTIONS

Item #P841-609-L/P841-044-L/P841-674B-L  
 P842-609-L/P842-044-L/P842-674B-L (For Flush Mount Model)

**WARNING! SHUT POWER OFF AT FUSE OR CIRCUIT BREAKER.**  
**AVERTISSEMENT! COUPER LE COURANT AU NIVEAU DES FUSIBLES OU DU DISJONCTEUR.**

## PREPARATION

1. Shut off the power at the fuse box or circuit breaker. If necessary, remove the old fixture, including the mounting hardware.
2. Carefully unpack the new fixture and lay out all the parts on a clear area. Take care not to lose any parts necessary for installation.
3. Cut off quick connector (G) by using scissor, then peel off the wires. (Fig.2)

## MOUNTING THE FIXTURE (FIG. 3)

Secure mounting back plate (B) to junction box (Q) using junction boxes screws (J) (Size: 8-32\*1/2"L). The side of the mounting back plate marked "GND" must face out.

## CONNECTING THE WIRES (Fig. 4)

4. At this point, connect the electrical wires as follows: Connect the black wire from the fixture to the black house (hot) wire. Connect the white wire from the fixture to the white (neutral) house wire; Make sure all wire nuts are secured. You may wrap the connections with electrical tape. If you outlets have a ground wired (green or bare copper) connect fixture's ground wire to it. Otherwise connect fixture's ground wire directly to the crossbar using the green screw provided.

## INSTALLATION (Fig. 3)

5. After the wires are connected, carefully tuck them inside the junction box, then push the spring clip (C) into mounting plate (B).

Your installation is now complete turn power back on.

**Note: Illustration (Fig.2&Fig.3) on this manual is for installation purposes only. It may or may not be identical to the fixture purchased.**

## Replacing LED module (Fig.5)

The LED module can be replaced by a qualified electrician without cutting the wire and without damaging the decorative element to which the fixture is attached.

**Warning: Turn off power at the fuse box or circuit breaker before replacing the LED module.**

- a. To remove the fixture from ceiling: separate spring clip (C) and remove the wire connectors. Then place the fixture on a clear flat surface.
- b. Peel off the glue on the back of fixture, loosen screws (O) and washer to separate trim ring (A).
- c. Unscrew (P) and (L) at the same time as well as their washers. Finally, loosen screws on black wire button to remove the led module (M).
- d. Reverse step a-c for installation the new LED module.

Note: The LED module should be provided by a specified supplier.

Dimmable with ELV dimmer switches.

