

INSTALLATION INSTRUCTIONS FOR P724-L

Pendant

READ AND SAVE THESE INSTRUCTIONS

WARNING! SHUT POWER OFF AT FUSE OR CIRCUIT BREAKER

AVERTISSEMENT! COUPER LE COURANT AU NIVEAU DES FUSIBLES OU DO DISJONCTEU

ASSEMBLING THE FIXTURE (Fig.1)

- 1 Shut off power at the fuse box or circuit breaker. If necessary, remove the old fixture including the mounting hardware.
- 2 Carefully remove the fixture from the carton and check that all parts are included as show in Figure 1.

SUGGESTED INSTALLATION (Fig. 1 Fig.4)

- 3 Pass the wires through nipple (G) on top cover (I) and top cover (I) to ceiling plate (J) with screws (H).
- 4 Loosen screws (D) and remove mounting plate (A) from canopy (C). Attach mounting plate (A) (part#LTG BKT10) to the junction box using mounting screws (B) (size:8-32*1/2"L) as illustrated in (Fig. 4).
- 5 Determine the desired hanging height and thread rods F1 (Part#W35-1-066), F2 (Part#W35-1-066), F3 (Part#W35-H-066) to nipple (G). Pass the wires carefully through each rod during assembly. Next place canopy (C) over rods (F) and thread hanger ball (E) to rod (F). Please remove the nipple if installing with one 6" rod only.
- 6 While holding the fixture body, install the fixture into the mounting plate (A) by tilting at a slight angle so that the hanger ball (E) slips into the mounting plate (A) as shown. Align the notch in the hanger ball (E) to the tab on the mounting plate (A) to prevent the fixture from turning.

CONNECTING THE WIRES (Fig. 2)

- 7 At this point, connect the electrical wire as shown in figure 4, making sure that all wire connectors are secured. If your outlet has a ground wire (green or bare copper), connect the ground wire from the hanger ball and mounting plate to it. Otherwise, connect the ground wire from hanger ball directly to the mounting plate ground wire and secure with wire connectors provided. After the wires are connected, tuck them carefully into the ceiling junction box
- 8 Align canopy (C) over mounting plate (A) and secure with screws (D)

Your installation is now complete. Return power to the junction box and test the fixture.

Fig.1

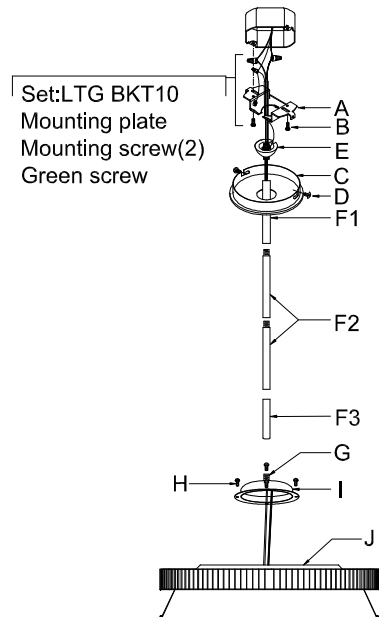


Fig.2

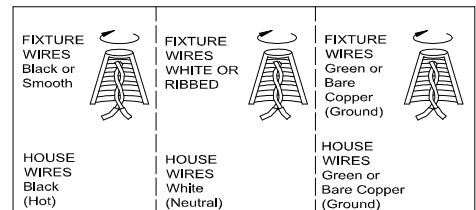
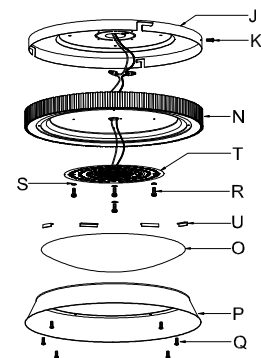


Fig.3



CAUTION /ATTENTION:When handling the fixture, do not apply pressure to the LEDs. Hold the fixture by the base or ceiling plate (J) only.

Replacing LED module (Fig. 3)

The LED module can be replaced by a qualified electrician without cutting of wire and without damage to any decorative element to which the fixture is attached. See installation steps for more details (Fig. 3)

Warning: Turn off power at the circuit breaker before replacing LED module.

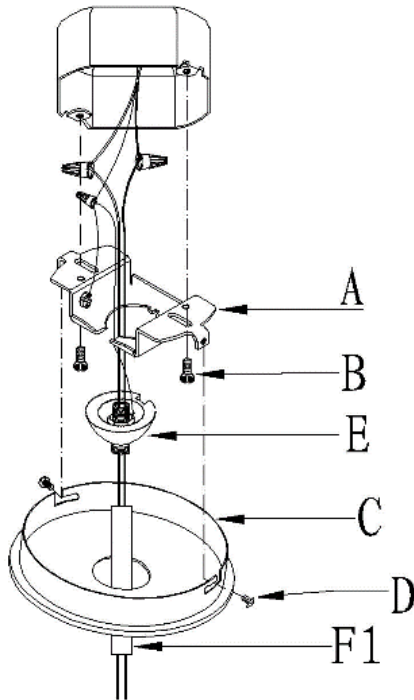
- a. Loosen screw (K), rotate fixture cage (N) and remove it from ceiling plate (J). Disconnect the quick connector.
- b. Loosen screw (Q), remove ring (P), glass shade (O) and plastic gasket (U). Remove screws (R) and washers (S).
- c. Carefully remove LED module (T).
- d. Reverse steps a-c for installing the new LED module.

Note: The LED module should be provided by a specified supplier.

Dimmable with ELV and/or LED compatible wall dimmer switches

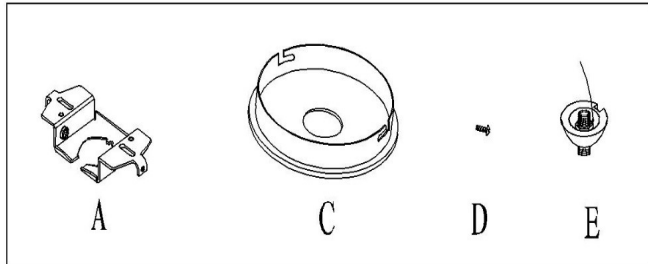


Fig.4



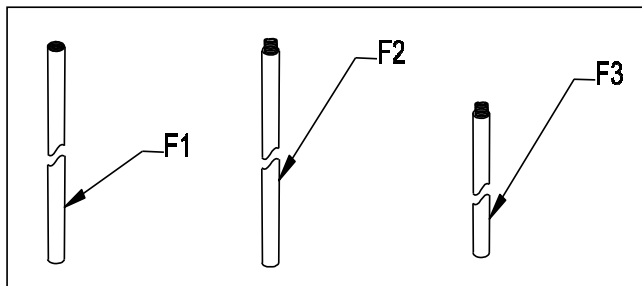
a. Hardware Bag:

- A. Mounting Plate*1
- C. Canopy*1
- D. Screw*2
- E. Hanger Ball*1



b. Hardware Bag:

- F1. ROD 12" * 1 w/o nipple
- F2. ROD 12" * 2
- F3. ROD 6" * 1



INSTALLATION INSTRUCTIONS FOR P724-L

Ceiling Mount

READ AND SAVE THESE INSTRUCTIONS

WARNING! SHUT POWER OFF AT FUSE OR CIRCUIT BREAKER
AVERTISSEMENT! COUPER LE COURANT AU NIVEAU DES FUSIBLES OU DO DISJONCTEU

ASSEMBLING THE FIXTURE (Fig.5)

- 1 Shut off power at the fuse box or circuit breaker. If necessary, remove the old fixture including the mounting hardware.
- 2 Carefully remove the fixture from the carton and check that all parts are included as show in Figure 5.

SUGGESTED INSTALLATION (Fig. 5)

- 3 Loosen screw (K), rotate ceiling plate (J) and remove it from fixture cage (N).
- 4 Position ceiling plate (J) onto the ceiling, and mark the location of the three drywall anchors (V). Pre-drill the holes for the drywall anchors (V). Then insert the drywall anchors (V) into the ceiling.
- 5 Attach the ceiling plate (J) to the outlet box using outlet box screws (W) (Size: 8-32*1/2"L) and wood screws (X) into drywall anchors (V). The side of the ceiling plate marked "GND" must face out

CONNECTING THE WIRES (Fig.6)

- 6 Loosen the connectors from the lamp and remove the excess wire. At this point, connect the electrical wires as shown in Fig. 4, making sure that all wire connectors are secured. If your outlet box has a ground wire (green or bare copper), connect the fixture's ground wire to it. Otherwise, connect the fixture's ground wire directly to the ceiling plate (J) using the green screw (U) provided. After wires are connected, tuck them carefully inside the junction box.
- 7 Rotate ceiling plate (J) into fixture cage (N), and secure it with screw (K).

CAUTION /ATTENTION:When handling the fixture, do not apply pressure to the LEDs. Hold the fixture by the base or ceiling plate (J) only.

Replacing LED module (Fig. 3)

The LED module can be replaced by a qualified electrician without cutting of wire and without damage to any decorative element to which the fixture is attached. See installation steps for more details (Fig. 3)

Warning: Turn off power at the circuit breaker before replacing LED module.

- c. Loosen screw (K), rotate fixture cage (N) and remove it from ceiling plate (J). Disconnect the quick connector.
- d. Loosen screw (Q), remove ring (P), glass shade (O) and plastic gasket (U). Remove screws (R) and washers (S).
- c. Carefully remove LED module (T).
- d. Reverse steps a-c for installing the new LED module.

Note: The LED module should be provided by a specified supplier.

Dimmable with ELV and/or LED compatible wall dimmer switches

Fig.5

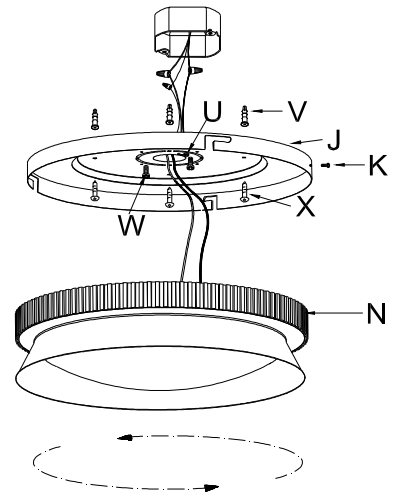


Fig.6

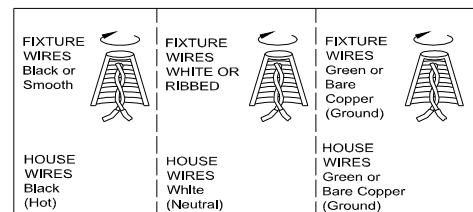


Fig.7

